

# 171.0MHz SAW Filter

AFS171.0W01-TE



**RoHS**  
Compliant



5.0 x 5.0 x 1.7mm

## FEATURES:

- Low insertion loss, 6.5dB
- Amplitude ripple, 2.1dB
- Suitable for RoHS compliant reflow

## APPLICATIONS:

- Pager
- FRS filter

## STANDARD SPECIFICATIONS:

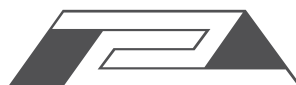
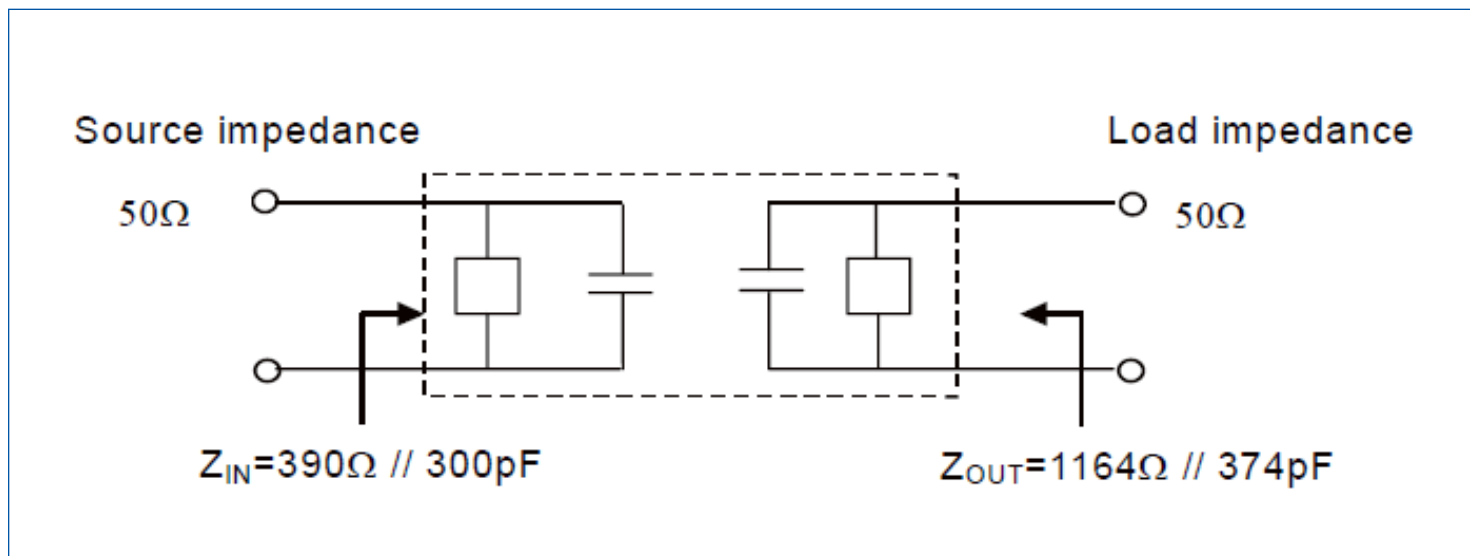
### Maximum Ratings

Item	Value
Operating Temperature Range	-10°C to + 50°C
Storage Temperature Range	-40°C to + 85°C
DC Voltage	10V
Maximum Input Power	0 dBm

### Electrical Characteristics

Parameters	Minimum	Typical	Maximum	Units	Notes
Center Frequency ( $f_c$ )	-----	171	-----	MHz	
Insertion Loss (IL)	-----	-----	6.5	dB	167 ~ 175MHz
Amplitude Ripple (A.R.)	-----	-----	2.1	dB	167 ~ 175MHz
Attenuation: (Reference level from 0dB)	50	-----	-----	dB	71 ~ 132.2MHz
	42	-----	-----		209.8 ~ 271MHz
Input Impedance (Please see note)	-----	390Ω//300pF	-----		171MHz
Output Impedance (Please see note)	-----	1164Ω//374pF	-----		171MHz

## NOTES:



# 171.0MHz SAW Filter

AFS171.0W01-TE



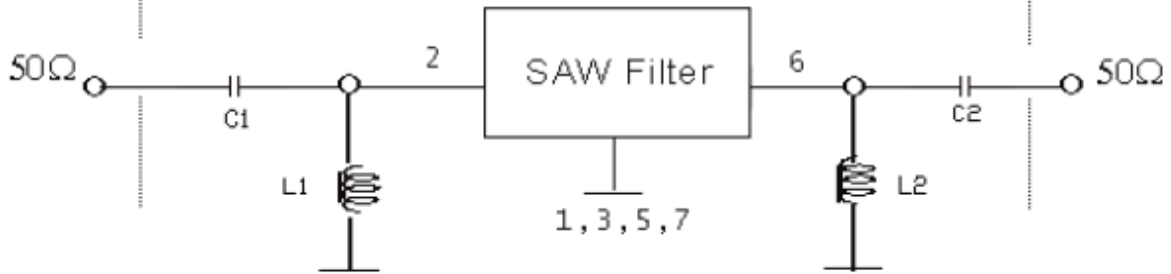
RoHS  
Compliant



5.0 x 5.0 x 1.7mm

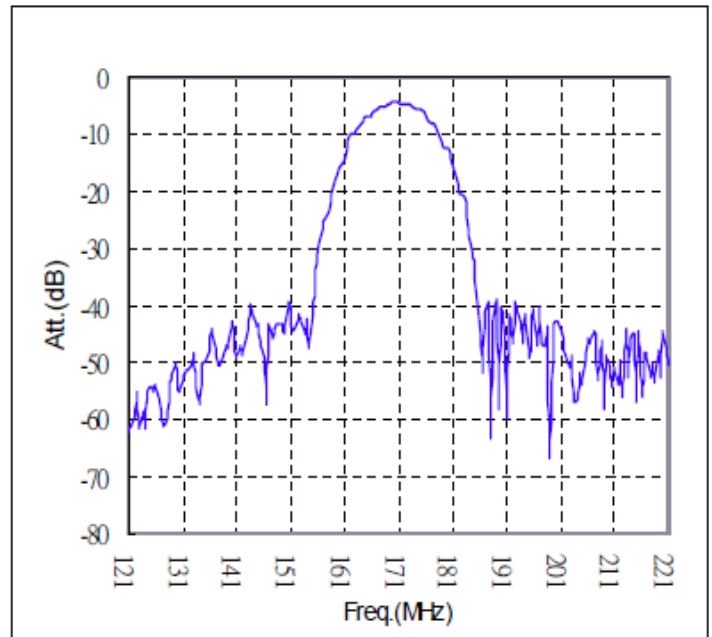
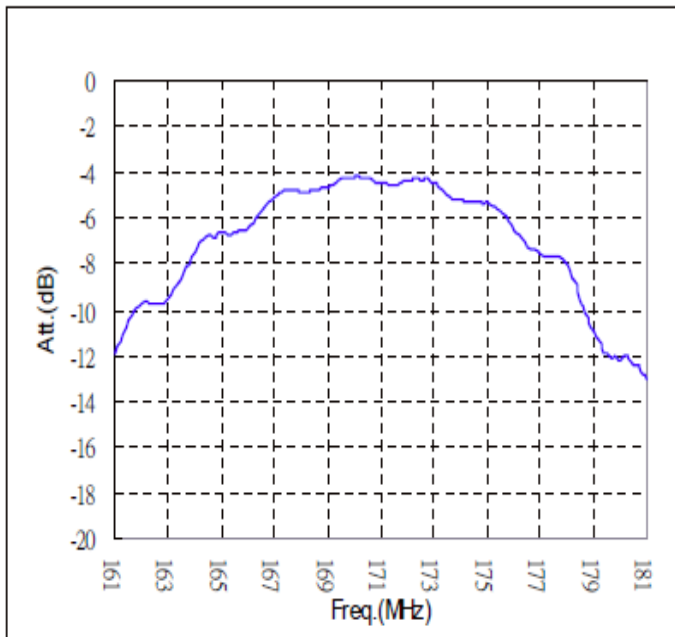
## TEST CIRCUIT

Network analyzer



C1 = 10 pF    L1 = 37 nH  
C2 = 8 pF    L2 = 40 nH

## FREQUENCY CHARACTERISTIC



# 171.0MHz SAW Filter

AFS171.0W01-TE

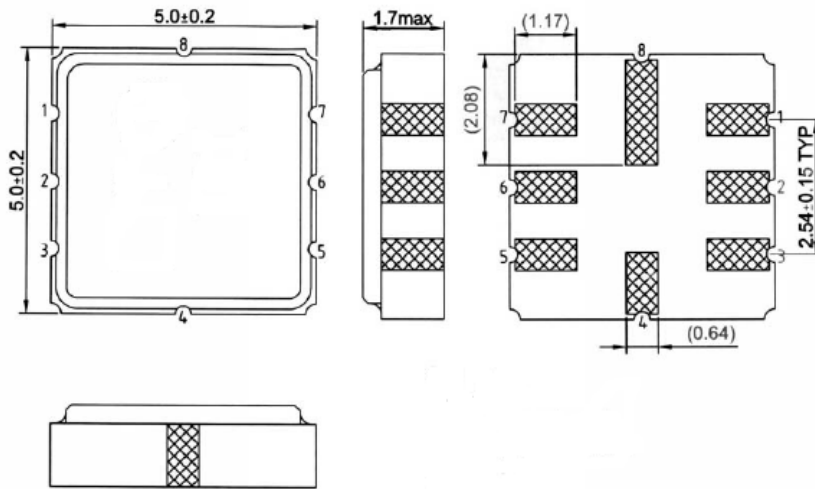


**RoHS**  
Compliant



5.0 x 5.0 x 1.7mm

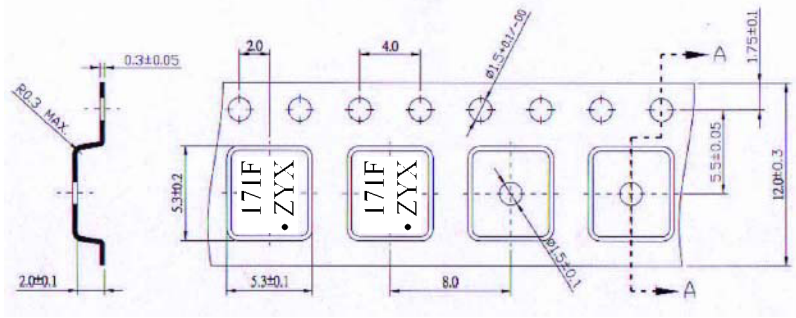
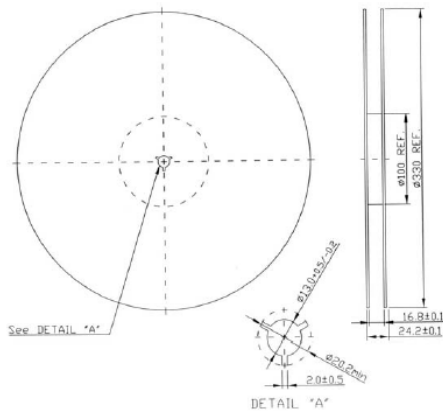
## OUTLINE DRAWING:



- #2: Input
- #6: Output
- #4, 8: Case Ground
- #1, 3, 5, 7: Ground

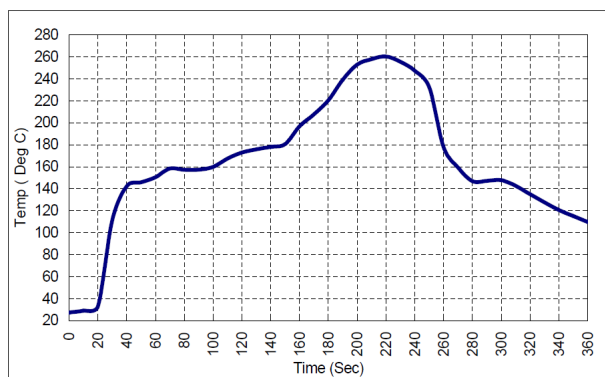
Dimensions: mm

## PACKAGING: 3000pcs/reel



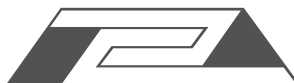
Dimensions: mm

## REFLOW PROFILE



**ATTENTION:** Abracon Corporation's products are COTS – Commercial-Off-The-Shelf products; suitable for Commercial, Industrial and, where designated, Automotive Applications. Abracon's products are not specifically designed for Military, Aviation, Aerospace, Life-dependant Medical applications or any application requiring high reliability where component failure could result in loss of life and/or property. For applications requiring high reliability and/or presenting an extreme operating environment, written consent and authorization from Abracon Corporation is required. Please contact Abracon Corporation for more information.

ABRACON IS  
ISO 9001:2008  
CERTIFIED



**ABRACON**  
CORPORATION

Visit [www.abracon.com](http://www.abracon.com) for Terms & Conditions of Sale

Revised: 06.16.11

30332 Esperanza, Rancho Santa Margarita, California 92688

tel 949-546-8000 | fax 949-546-8001 | [www.abracon.com](http://www.abracon.com)