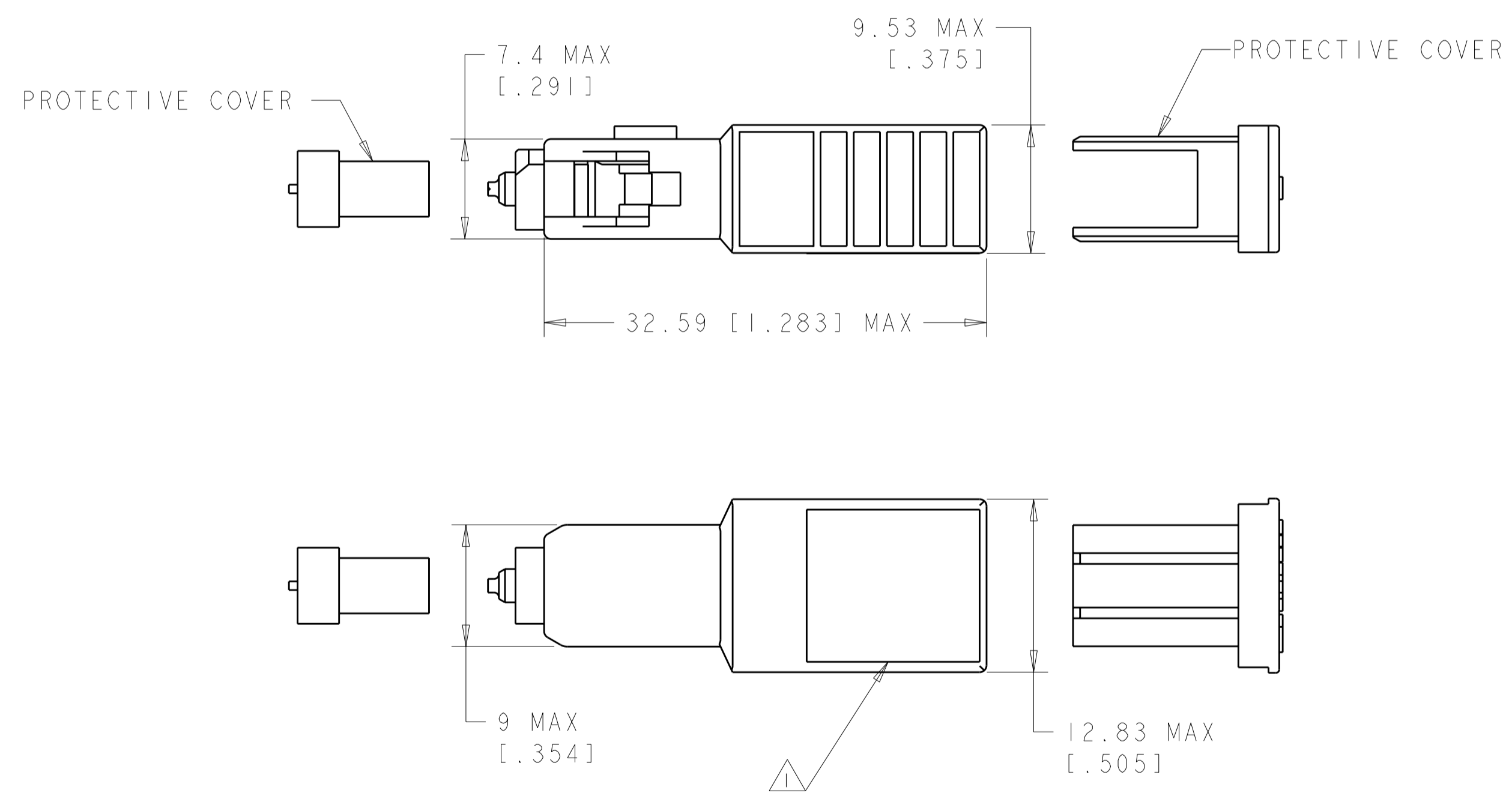
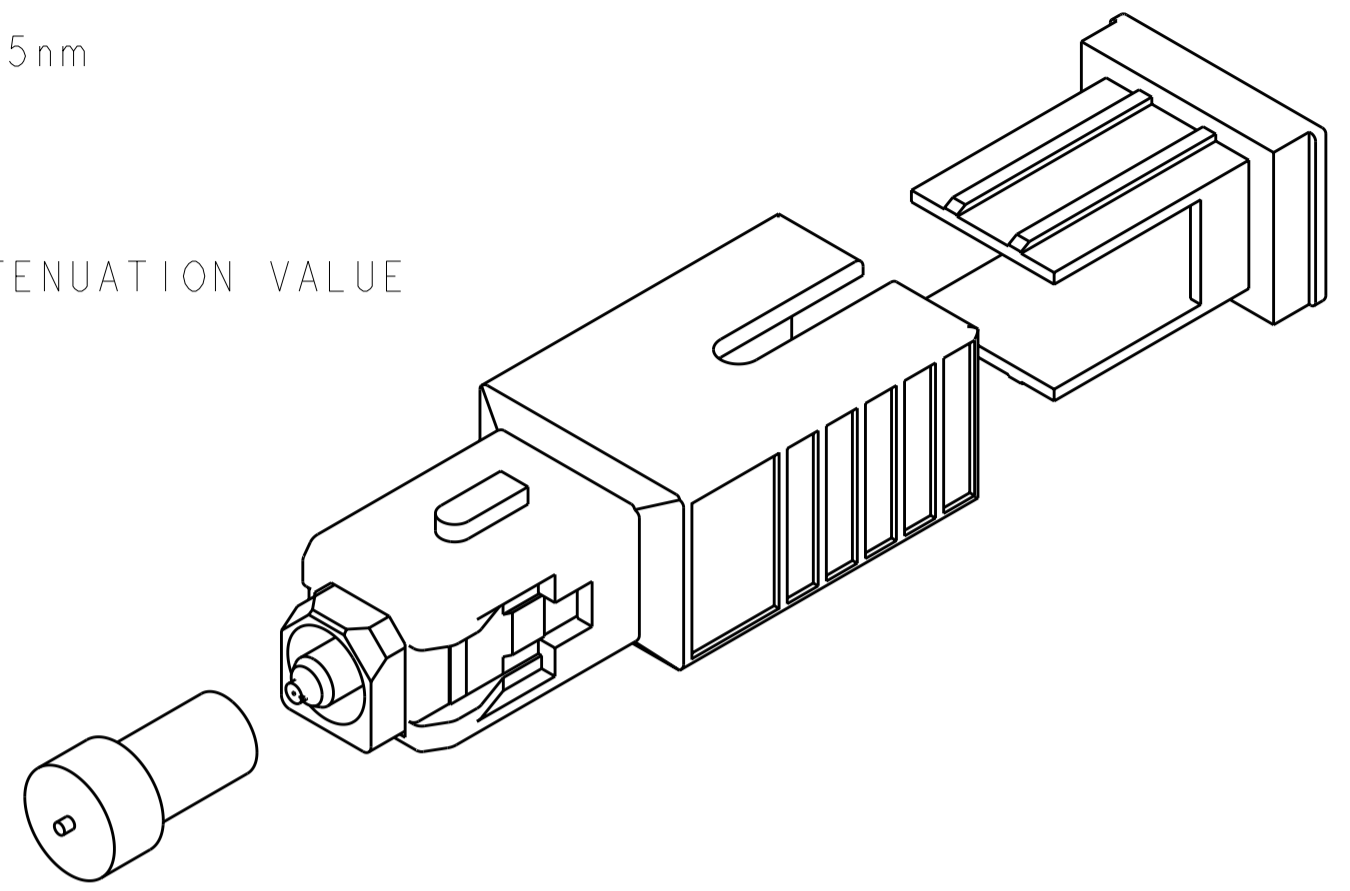


THIS DRAWING IS UNPUBLISHED. RELEASED FOR PUBLICATION 20  
 © COPYRIGHT 20 BY TYCO ELECTRONICS CORPORATION. ALL INTERNATIONAL RIGHTS RESERVED.

LOC	DIST	REVISIONS					
CE	00	P	LTR	DESCRIPTION	DATE	DWN	APVD
		P		ECR-06-002139	26JAN2006	EJH	SB
		PI		REVISED PER ECO-09-025699	11DEC2009	KK	AEG

PERFORMANCE REQUIREMENTS:  
 OPERATING WAVELENGTH : 1260-1360 & 1430-1625nm  
 REFLECTANCE : ≤ -65dB  
 OPERATING TEMPERATURE : -40°C TO +75°C  
 ATTENUATION TOLERANCE, AMBIENT :  
 FOR ATTENUATORS ≤ 5dB : ± 0.50dB  
 FOR ATTENUATORS > 5dB : ± 10% OF NOMINAL ATTENUATION VALUE  
 MEASURED WITH REFERENCE QUALITY LAUNCH LEADS

ENDFACE GEOMETRY:  
 R.O.C: 5-12mm  
 APEX OFFSET: < 50um  
 FIBER HEIGHT: ±100nm



NOMINAL ATTENUATION VALUE (dB)	PART NUMBER	
0.5	7-417021-0	
1	417021-1	
1.5	7-417021-1	OBsolete ①
2	417021-2	
2.5	7-417021-2	OBsolete ①
3	417021-3	
3.5	7-417021-3	OBsolete ①
4	417021-4	
4.5	7-417021-4	
5	417021-5	
5.5	7-417021-5	
6	417021-6	
6.5	7-417021-6	OBsolete ①
7	417021-7	OBsolete
7.5	7-417021-7	
8	417021-8	
9	417021-9	
10	1-417021-0	
11	1-417021-1	OBsolete
12	1-417021-2	
13	1-417021-3	OBsolete
14	1-417021-4	OBsolete
15	1-417021-5	
16	1-417021-6	OBsolete
17	1-417021-7	OBsolete
18	1-417021-8	
19	1-417021-9	OBsolete
20	2-417021-0	
25	2-417021-5	

① TYCO LOGO, ATTENUATION VALUE, PART NUMBER, AND SERIAL NUMBER ARE PRINTED ON THE LABEL.  
 ② OBSOLETE PARTS: OBSOLETE CIS STREAMLINING PER D.RENAUD/D.SINISI

THIS DRAWING IS A CONTROLLED DOCUMENT FOR TYCO ELECTRONICS CORPORATION IT IS SUBJECT TO CHANGE AND THE CONTROLLING ENGINEERING ORGANIZATION SHOULD BE CONTACTED FOR THE LATEST REVISION.		DWN J.A.Baker 03-19-01	Tyco Electronics Harrisburg, PA 17105-3608
DIMENSIONS: mm [INCHES]		CHK S.MILLER 03-19-01	
TOLERANCES UNLESS OTHERWISE SPECIFIED:		APVD S.MILLER 03-19-01	
0 PLC ± 1 PLC ± 2 PLC ± 3 PLC ± 4 PLC ± ANGLES ± FINISH -		NAME	
MATERIAL -		PRODUCT SPEC -	ATTENUATOR, FOPC BOA SC/APC 8° BP SM
		APPLICATION SPEC -	SIZE A2
		WEIGHT -	CAGE CODE C-417021
		CUSTOMER DRAWING	DRAWING NO. 417021
		SCALE 4:1	SHEET 1 OF 1
			REV P1