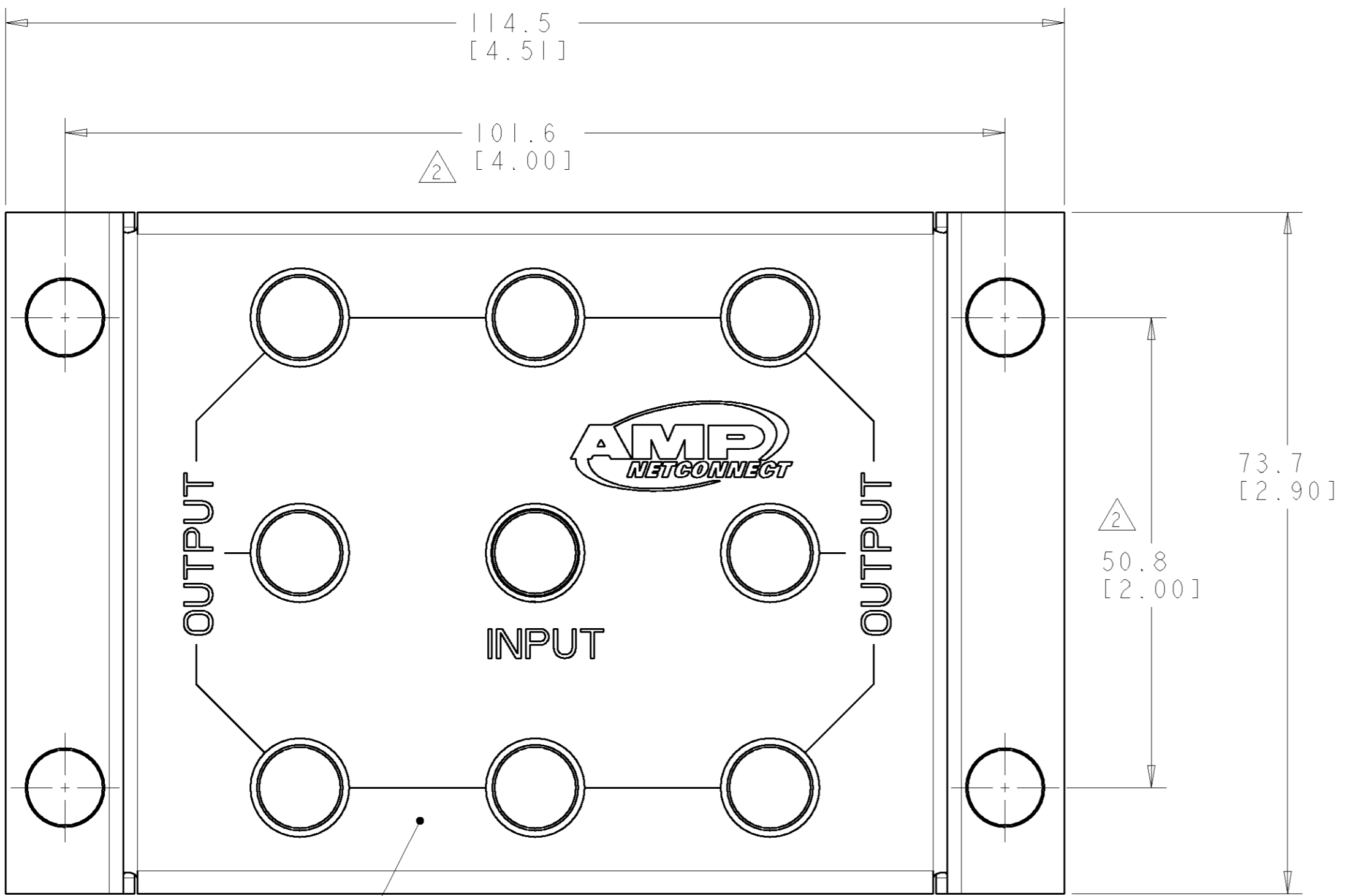
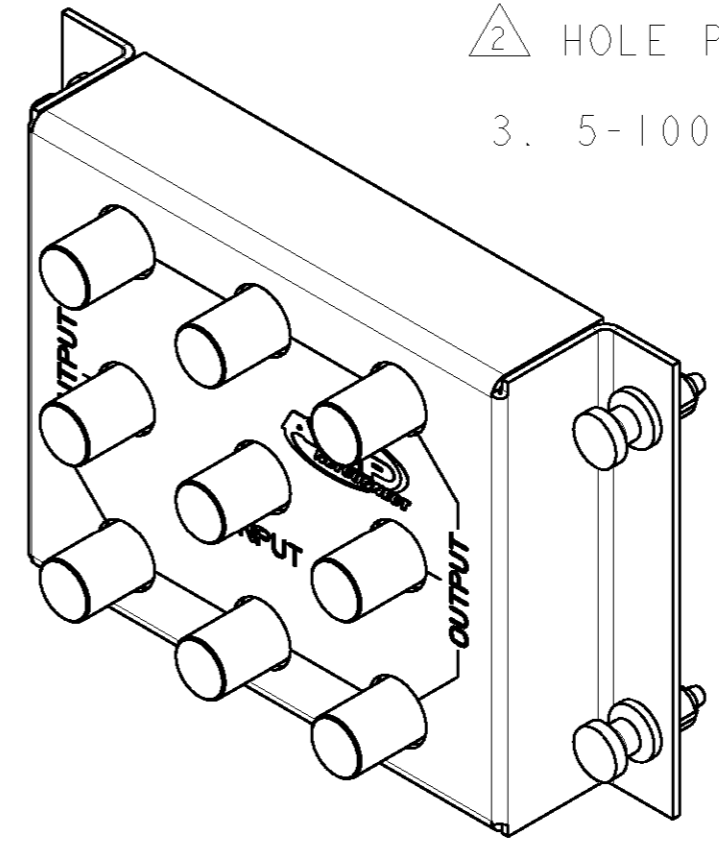


THIS DRAWING IS UNPUBLISHED. RELEASED FOR PUBLICATION 20
 © COPYRIGHT 20 BY TYCO ELECTRONICS CORPORATION. ALL RIGHTS RESERVED.

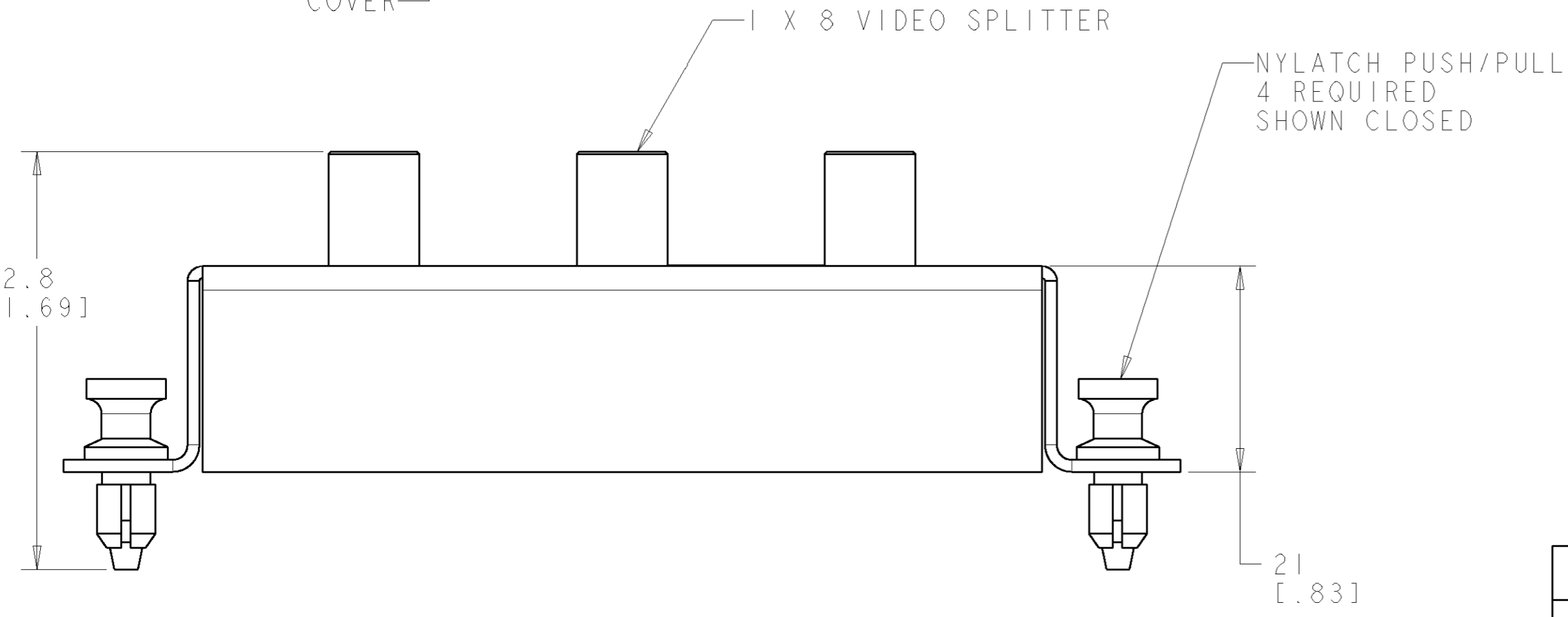
| LOC | DIST | REVISIONS | | | | | |
|-----|------|-----------|-----|------------------|-----------|-----|------|
| HM | 00 | P | LTR | DESCRIPTION | DATE | DWN | APVD |
| | | A | | RLSD - NSD02-104 | 04FEB2003 | LS | JC |



- ① MATERIAL; COVER - CARBON STEEL, BLACK. NYLATCH PUSH/PULL - NYLON, BLACK. VIDEO SPLITTER - 1 X 8 VIDEO SPLITTER, DIE CAST HOUSING.
- ② HOLE PATTERN DIMENSIONS FOR MOUNTING.
- 3. 5-1000MHz PASSIVE 130 dB RFI DC PASSING.



SCALE 1:1



1479335-1
PART NUMBER

| | | | |
|---|--|---|---|
| THIS DRAWING IS A CONTROLLED DOCUMENT FOR TYCO ELECTRONICS CORPORATION. IT IS SUBJECT TO CHANGE AND THE CONTROLLING ENGINEERING ORGANIZATION SHOULD BE CONTACTED FOR THE LATEST REVISION. | | DWN L. SMITH 04FEB2003 CHK J. CALLOWAY 03FEB2003 APVD J. CALLOWAY 03FEB2003 | tyco Tyco Electronics Harrisburg, PA 17105-3608 |
| DIMENSIONS: MM [INCHES] | TOLERANCES UNLESS OTHERWISE SPECIFIED: 0 PLC ± 1 PLC ± 2 PLC ±.26 [.01] 3 PLC ±.13 [.005] 4 PLC ± ANGLES ± FINISH | PRODUCT SPEC - APPLICATION SPEC - WEIGHT - | NAME MODULE, VIDEO, 1X8, PASSIVE SIZE A2 CAGE CODE 00779 DRAWING NO. 1479335 RESTRICTED TO - |
| MATERIAL ① - | | CUSTOMER DRAWING | SCALE 2:1 SHEET 1 OF 1 REV A |