

iQ3612

the *intelligent* solution

North American Standard Design

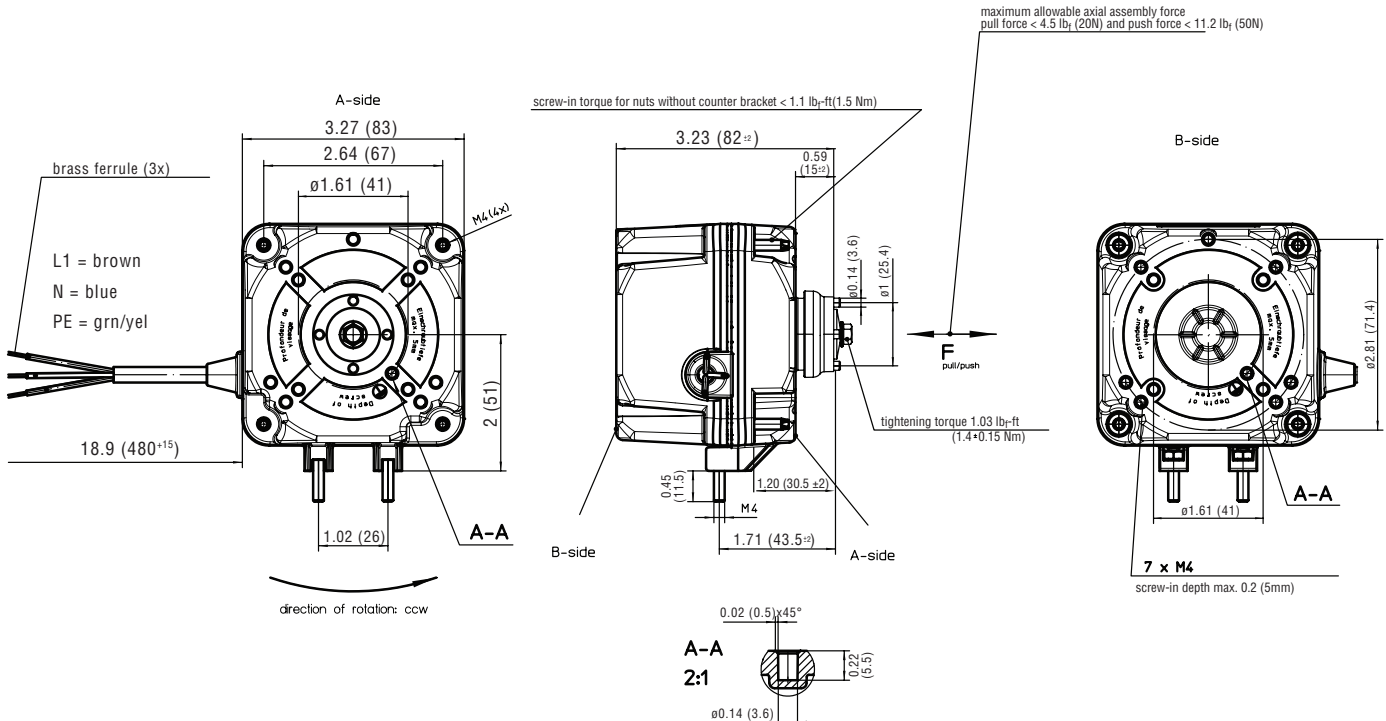
- EC-motor with completely integrated electronics
- AC-line operation
- Efficiency up to 65%
- Frequency independent
- Constand speed within load capacity
- Overload and locked rotor protection
- Maintenance free, long life expectancy
- Moisture protection suitable for commercial refrigeration
- Stainless steel shaft
- No mounting position restrictions

Part Number	Model Number	VAC	Hertz	Power Output (W)	Temp Range C	Speed (RPM)	Wgt. (lbs)
55330.01210	iQ3612-310350-83	115-127	50/60	13	-40 to +50	1550	1.3
Optional 230V Model (physically identical to the NA Standard)							
55330.01511	iQ3612-310250-84	220-240	50/60	13	-40 to +50	1550	1.3

blade diameter in (mm)	blade pitch 22 degrees		blade pitch 28 degrees		blade pitch 34 degrees	
	air flow CFM (m ³ /h)	input power Watts	air flow CFM (m ³ /h)	input power Watts	air flow CFM (m ³ /h)	input power Watts
6.1 (154)	103 (175)	2.9	127 (215)	3.7	142 (240)	4.3
6.8 (172)	159 (270)	3.7	183 (310)	4.9	207 (350)	6.7
7.9 (200)	236 (400)	5.8	266 (450)	7.4	325 (550)	12.8
9.1 (230)	419 (710)	12.8	457 (775)	20.5*	do not use	do not use

All air flow was measured in free air delivery with wall ring
 * Only air flow direction "A" (intake over motor) is allowed with this blade

Dimensional Drawing: inches (mm)



e-mail: sales@us.ebmpapst.com · TEL: 860-674-1515 · FAX: 860-674-8536
 ebm-papst Inc., 100 Hyde Road, Farmington, CT 06034 USA
 ebm-papst Inc., 2010 © ebm-papst Inc. reserves the right to change any specifications or data without notice





iQ3612 cont. the *intelligent* solution

North American Standard Design

- Use with standard sheet metal impellers
- Counterclockwise shaft rotation (looking at shaft)
- Air flow direction dependent on selected impeller
- Custom options possible:
 - ▶ reverse rotation on startup
 - ▶ reverse rotation on demand
 - ▶ two speeds
 - ▶ additional foot mounting on .71" (18mm) spacing
- Complete range of accessories:
 - ▶ flat and basket fan guards
 - ▶ wall rings with motor mounts
 - ▶ mounting brackets

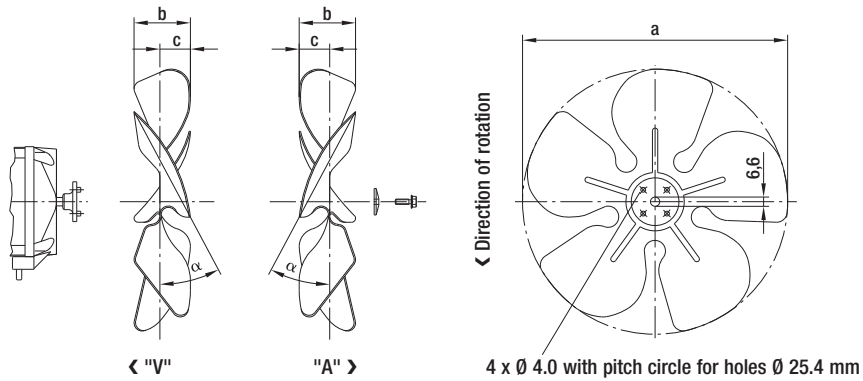
Technical Data

▶ Speed:	1550 RPM
▶ Rated Voltage:	115-127 VAC (optional 220-240 VAC)
▶ Line Frequency:	50/60 Hz
▶ Power Output	13 Watts
▶ Environmental Protection Rating	IP54
▶ Grounding Protection Class	1 (earth conductor included)
▶ Leads	480 mm (18.9") with brass ferruled tips
▶ Housing Material	Die-cast aluminum
▶ Bearings	Ball Bearings
▶ Ambient Temperature	-40° C to +50° C (-40° F to +122° F)
▶ Safety Approval	UL File XDNW2.E331218 UL File XDNW8.E331218 Electronically protected motors
▶ Hydrocarbon Refrigerant Approval	EN60335-2-89 Annex BB
▶ B-side Tapped Blind Mounting Holes	Three M4 holes at 120° on 2.81" BC Four M4 holes at 90° on 2.81" BC
▶ Insulation Class	H

Please see the following pages for:

- ▶ sheet metal impellers
- ▶ flat and basket fan guards
- ▶ wall rings
- ▶ mounting brackets

Axial impellers



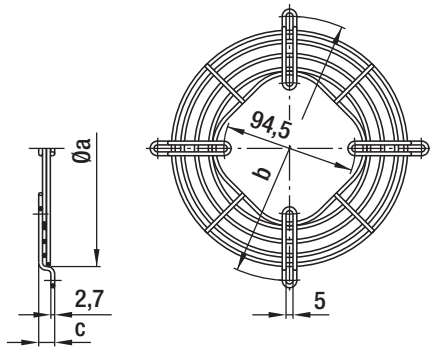
– Material: Sheet aluminium

Axial impellers

Part no. for dir. of air flow "V"	Part no. for dir. of air flow "A"	Blade angle α	a	b	c
73801-2-3634	73761-2-3634	$22^\circ \pm 1^\circ 30'$	154,0	27,5	14,0
73802-2-3634	73762-2-3634	$28^\circ \pm 1^\circ 30'$	154,0	32,0	16,0
73803-2-3634	73763-2-3634	$34^\circ \pm 1^\circ 30'$	154,0	37,0	18,0
73804-2-3634	73764-2-3634	$22^\circ \pm 1^\circ 30'$	172,0	31,0	14,5
73805-2-3634	73765-2-3634	$28^\circ \pm 1^\circ 30'$	172,0	36,0	17,0
73806-2-3634	73766-2-3634	$34^\circ \pm 1^\circ 30'$	172,0	42,0	21,0
73807-2-3634	73767-2-3634	$22^\circ \pm 1^\circ 30'$	200,0	32,0	15,5
73808-2-3634	73768-2-3634	$28^\circ \pm 1^\circ 30'$	200,0	37,5	18,0
73809-2-3634	73769-2-3634	$34^\circ \pm 1^\circ 30'$	200,0	45,0	22,0
73810-2-3634	73770-2-3634	$22^\circ \pm 1^\circ 30'$	230,0	35,0	17,5
	73771-2-3634	$28^\circ \pm 1^\circ 30'$	230,0	43,0	21,5

subject to alterations

Guard grille

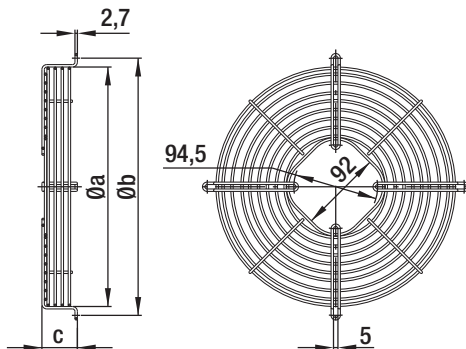


– **Material:** Steel, galvanized and blue chromated

Guard grille

Part no.	Size	Max. blade angle α at "V"	Max. blade angle α at "A"	a	b	c
50967-2-4039	154	34°	34°	170,0	190,0	11,5
50968-2-4039	172	34°	34°	188,0	208,0	11,5
50969-2-4039	200	34°	28°	214,0	236,0	11,5
50970-2-4039	230	28°	28°	246,0	266,0	17,5

subject to alterations



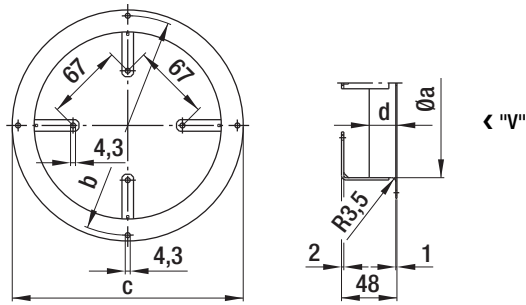
– **Material:** Steel, galvanized and blue chromated

Basket guard grille

Part no.	Size	Max. blade angle α at "V"	Max. blade angle α at "A"	a	b	c
66309-2-4039	172	34°	34°	188,0	208,0	37,5
66310-2-4039	200	34°	28°	212,0	236,0	37,5
66311-2-4039	230	28°	28°	246,0	266,0	40,0

subject to alterations

Wall rings

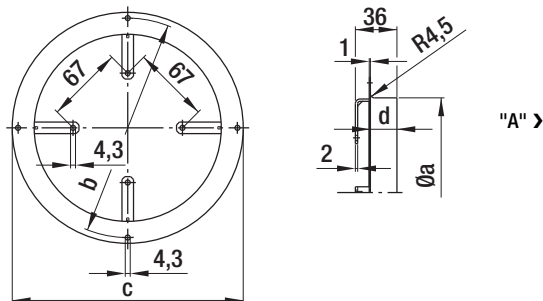


– **Material:** Sheet steel, coated in grey plastic

Wall rings, direction of air flow "V"

Part no.	Size	Max. blade angle α	a	b	c	d
52542-2-4037	154	34°	164,0	190,0	200,0	24,0
52543-2-4037	172	34°	182,0	208,0	223,0	24,0
52544-2-4037	200	34°	210,0	236,0	246,0	24,0
52545-2-4037	230	28°	240,0	266,0	276,0	24,0

subject to alterations



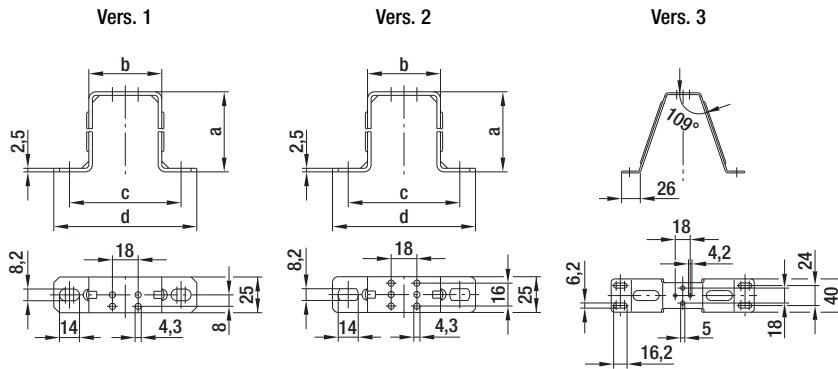
– **Material:** Sheet steel, coated in grey plastic

Wall rings, direction of air flow "A"

Part no.	Size	Max. blade angle α	a	b	c	d
52550-2-4037	154	34°	162,0	190,0	200,0	24,0
52551-2-4037	172	34°	180,0	208,0	223,0	24,0
52552-2-4037	200	28°	208,0	236,0	246,0	24,0
52553-2-4037	230	28°	238,0	266,0	276,0	24,0

subject to alterations

Mounting bracket

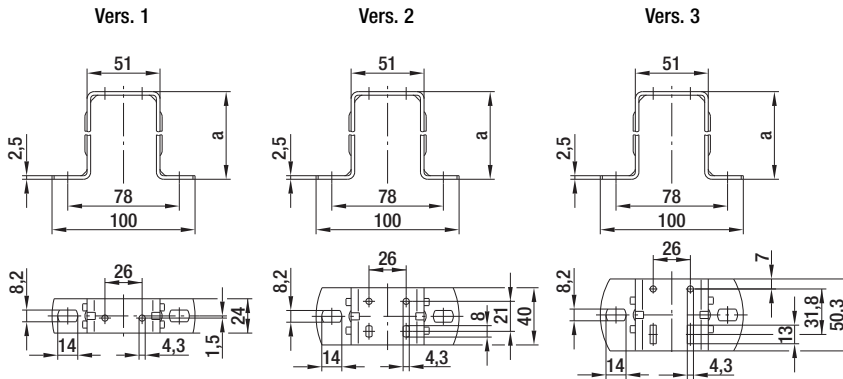


– **Material:** Sheet steel, galvanized and blue chromated

Mounting bracket - foot measure 18 mm (multi-function design)

Part no.	Size	Vers.	a	b	c	d
51025-2-4053	172	1	56,0	51,0	78,0	100,0
51028-2-4053	200	1	67,0	51,0	78,0	100,0
51026-2-4053	230	1	74,5	51,0	78,0	100,0

subject to alterations



– **Material:** Sheet steel, galvanized and blue chromated

Mounting bracket - foot measure 26 mm (standard design or multi-function design)

Part no.	Size	Vers.	a
71881-2-4053	154	1	39,0
71882-2-4053	172	1	52,0
71883-2-4053	200	1	72,0
	230	1	72,0

subject to alterations