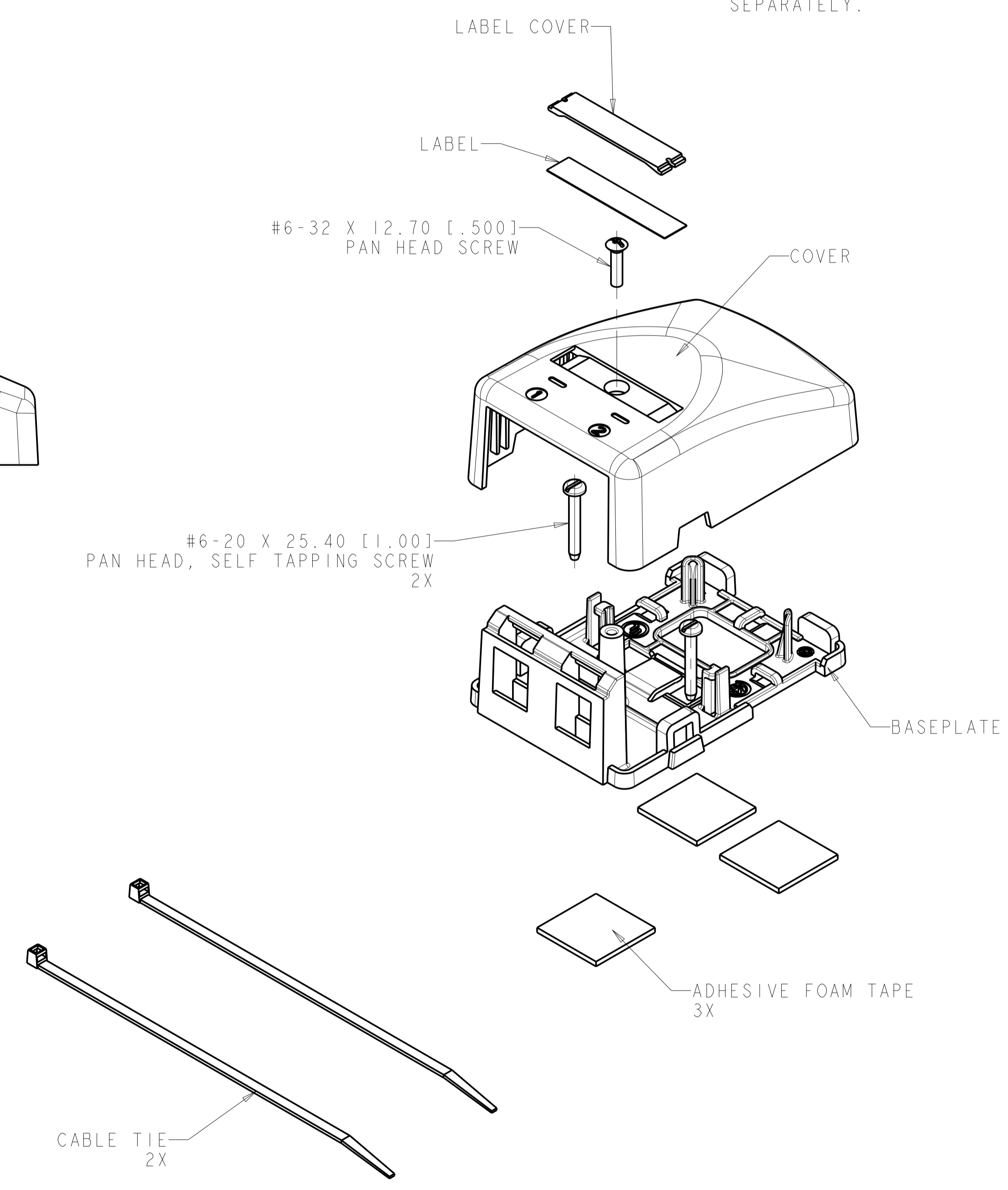
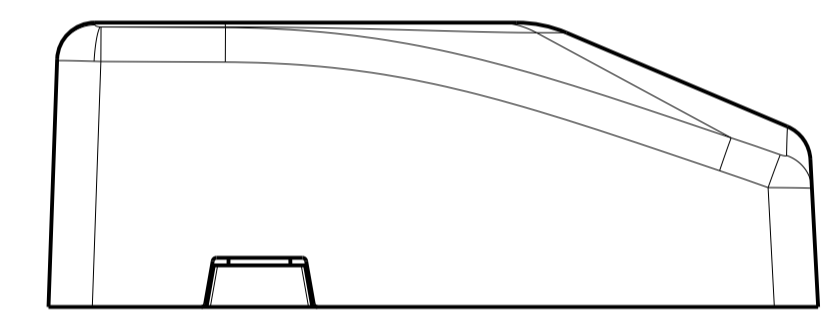
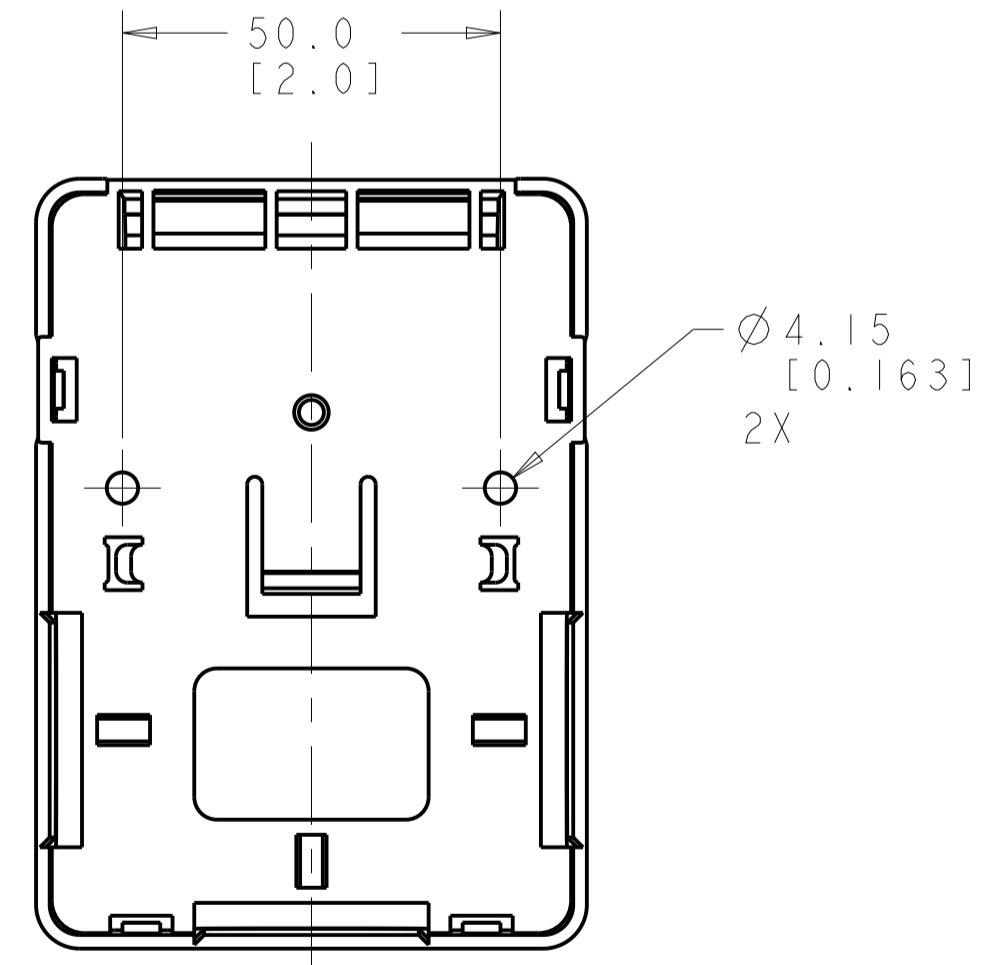
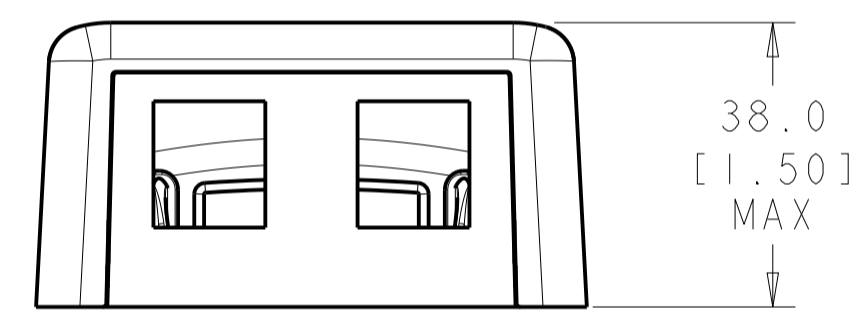
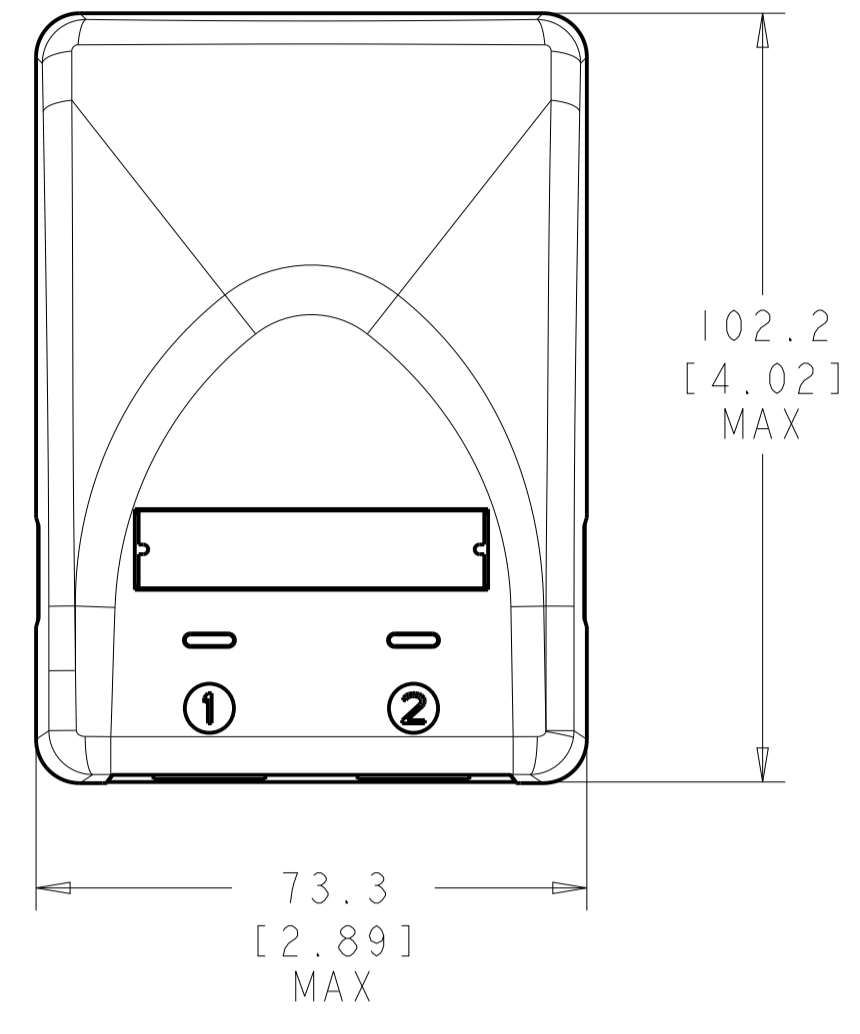


REVISIONS				
REV	LTN	DESCRIPTION	DATE	APP'D
A		RLSD; ECO-09-006765	16 MAR2009	GG RA
B		REV; ECO-10-012110	10 JUN2010	GG RA
C		REV; MCO-40026185MCO	09 NOV2015	HG LS
D		REV PER BNS_CD_BRAND	02 FEB2017	GG DC

- ⚠ MATERIAL: BASE AND COVER - POLYCARBONATE MOLDING COMPOUND. SEE TABLE FOR COLOR.
 LABEL COVERS - POLYCARBONATE MOLDING COMPOUND.
 LABELS - WHITE INDEX PAPER.
 SCREWS - ZINC PLATED CARBON STEEL.
 FOAM TAPE - POLYETHYLENE
 CABLE TIE - NYLON 6/6
- THIS KIT SHIPPED NOT ASSEMBLED.
 - ACCEPTS ANY COMBINATION OF SL-SERIES, AND AMP-TWIST MODULAR JACKS, MT-RJ OUTLET JACKS AND SL SERIES MULTI MEDIA INSERTS.
 - BASE ACCEPTS MAGNET FOR OPTIONAL MOUNTING TO METAL SURFACE. MAGNET (1933677-1) PURCHASED SEPARATELY.



ALPINE WHITE	I-1933668-3
ELECTRIC IVORY	I-1933668-1
NEMA GRAY	1933668-4
BLACK	1933668-2
LIGHT ALMOND	1933668-1
COLOR	PART NUMBER

THIS DRAWING IS A CONTROLLED DOCUMENT.		OWN	J. MCNEAL	08JUL2008
DIMENSIONS: mm [INCHES]		CHK	S. TOBEY	08JUL2008
TOLERANCES UNLESS OTHERWISE SPECIFIED:		APP'D	S. TOBEY	08JUL2008
0 PLC	±	NAME		
1 PLC	±.25	KIT, 2 PORT SURFACE MOUNT MODULE		
2 PLC	±	PRODUCT SPEC		
3 PLC	±	APPLICATION SPEC		
4 PLC	±	SIZE		
ANGLES	±0.2°	CAGE CODE		
MATERIAL	FINISH	DRAWING NO		
		A1		
		RESTRICTED TO		
		C=1933668		
		Customer Drawing		
		SCALE	1:2	SHEET 1 OF 1
		REV D		