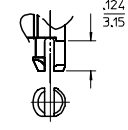
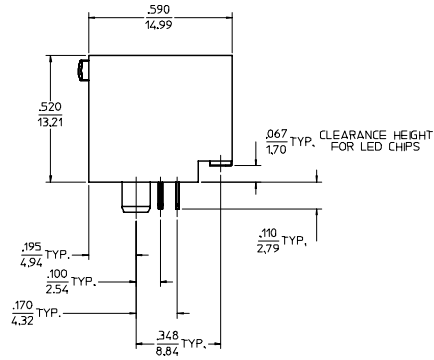
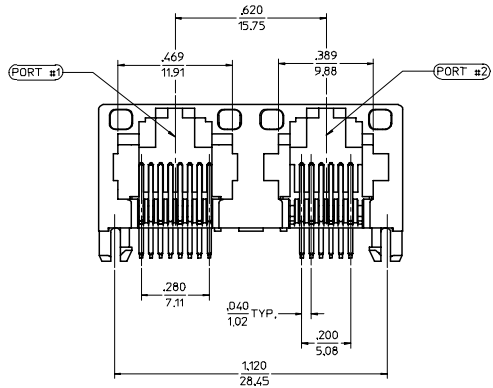
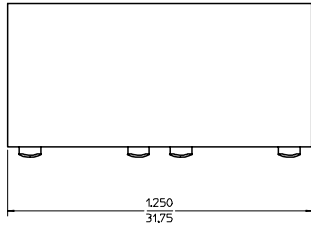
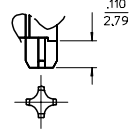


HOUSING PORT #1: (8) CIRCUIT, HOUSING PORT #2: (6) CIRCUIT				
ASSEMBLY MATERIAL NUMBER	NUMBER OF PORTS	NUMBER OF CIRCUITS	PEG STYLE	LIGHTPIPES
44580-0001	PORT #1 = 8 PORT #2 = 6	2	SNAP-FIT	YES
44580-0002	PORT #1 = 8 PORT #2 = 6	2	SNAP-FIT	NO
44580-0003	PORT #1 = 8 PORT #2 = 6	2	PRESS-FIT	YES
44580-0004	PORT #1 = 8 PORT #2 = 6	2	PRESS-FIT	NO
44580-0005	PORT #1 = 8 PORT #2 = 4	2	SNAP-FIT	YES
44580-0006	PORT #1 = 8 PORT #2 = 4	2	SNAP-FIT	NO
44580-0007	PORT #1 = 8 PORT #2 = 4	2	PRESS-FIT	YES
44580-0008	PORT #1 = 8 PORT #2 = 4	2	PRESS-FIT	NO



**SNAP-FIT PEG OPTION**  
SCALE: NTS  
SEE NOTE #7

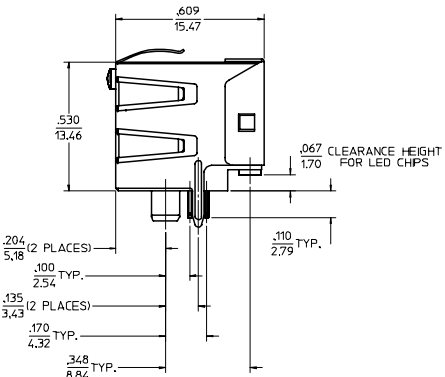
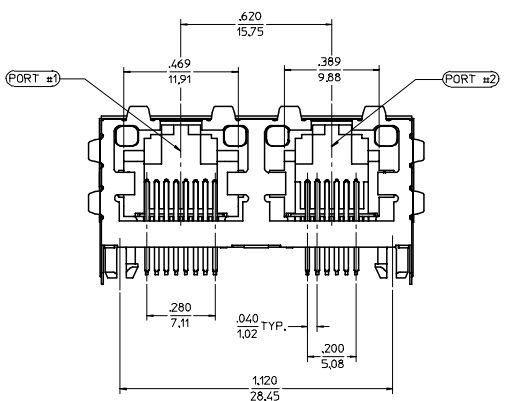
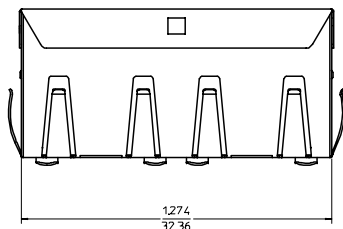


**PRESS-FIT PEG OPTION**  
SCALE: NTS  
SEE NOTE #7

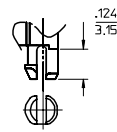
- NOTES:
- 1) MATERIAL:  
HOUSING: POLYESTER(PBT), GLASS FILLED, UL94V-0, COLOR: BLACK  
LIGHT PIPES: POLYCARBONATE, UL-94V2, COLOR: CLEAR  
TERMINALS: PHOSPHOR BRONZE, .015/0.38 THICK
  - 2) FINISH:  
TERMINALS:  
SELECT GOLD IN CONTACT AREA; 50 MICRONS (127 MICROMETERS) MIN.  
SELECT TIN IN PC TAIL AREA; 100 MICRONS (2.54 MICROMETERS) MIN.  
WITH OVERALL NICKEL UNDERPLATE; 50 MICRONS (127 MICROMETERS) MIN.  
\*THE PRIMARY SHIPPING CARTON WILL BE LABELED "COMPLIANT TO ROHS DIRECTIVE 2002/95/EC AND ELV ANNEX II OF DIRECTIVE 2000/53/EC". CARTONS WITHOUT THIS LABEL MAY CONTAIN PRODUCT WITH TIN-LEAD IN THE PC TAILS.
  - 3) PRODUCT SPECIFICATION AND PROCESSING PARAMETERS: PS-43860-003.
  - 4) PACKAGING SPECIFICATION:  
CONNECTOR ASSEMBLIES IN THERMOFORMED TRAYS PER MOLEX PACKAGING SPECIFICATION PK-44248-004.
  - 5) ALL UNTOLERANCED DIMENSIONS ARE SHOWN FOR REFERENCE ONLY.
  - 6) CONFORMS TO FCC REGULATION PART 68.5 FOR MODULAR JACKS.
  - 7) MOD JACKS AVAILABLE WITH EITHER SNAP-FIT OR PRESS-FIT PEGS. THIS DRAWING SHOWS SNAP-FIT PEGS.
  - 8) PCB LAYOUT AND PANEL CUT-OUT SHOWN ON SHEETS (5) OF (5).

2 PORT UNSHIELDED

REMOVED 6 PORT EC NO: UCP2006-2481 DRWN:PRIDDER 2006/06/12 CHKD:LSCHMDT 2006/06/22 APPR:FSMTH 2006/06/22 REV DESCRIPTION	QUALITY SYMBOLS	GENERAL TOLERANCES (UNLESS SPECIFIED)	SCALE 4:1	DESIGN UNITS INCH	THIRD ANGLE PROJECTION	REVISE ON CAD ONLY
	0 0	4 PLACES ± .005 ± .005	DIMENSION STYLE IN/MM DRAWN BY DATE MKAMAR 99/12/17 CHECKED BY DATE JROBERTS 99/12/17 APPROVED BY DATE JROBERTS 99/12/17	TITLE INVERTED MODJACK ASSEMBLY RJ-45/RJ-11 COMBINATION MOLEX MOLEX INCORPORATED	SHEET NO. 1 OF 5 DOCUMENT NO. SD-44580-001 MATERIAL NO. SEE CHART	
		3 PLACES ± .005 ± .005				
		2 PLACES ± .005 ± .005				
1 PLACE ± .005 ± .005	ANGULAR ±1/2°	DRAFT WHERE APPLICABLE MUST REMAIN WITHIN DIMENSIONS	THIS DRAWING CONTAINS INFORMATION THAT IS PROPRIETARY TO MOLEX INCORPORATED AND SHOULD NOT BE USED WITHOUT WRITTEN PERMISSION			

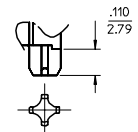


HOUSING PORT #1: (8) CIRCUIT, HOUSING PORT #2: (6) CIRCUIT				
ASSEMBLY MATERIAL NUMBER	NUMBER OF CIRCUITS	NUMBER OF PORTS	PEG STYLE	LIGHT PIPES
44580-0009	PORT #1 = 8 PORT #2 = 6	2	SNAP-FIT	YES
44580-0010	PORT #1 = 8 PORT #2 = 6	2	SNAP-FIT	NO
44580-0011	PORT #1 = 8 PORT #2 = 6	2	PRESS-FIT	YES
44580-0012	PORT #1 = 8 PORT #2 = 6	2	PRESS-FIT	NO
44580-0013	PORT #1 = 8 PORT #2 = 4	2	SNAP-FIT	YES
44580-0014	PORT #1 = 8 PORT #2 = 4	2	SNAP-FIT	NO
44580-0015	PORT #1 = 8 PORT #2 = 4	2	PRESS-FIT	YES
44580-0016	PORT #1 = 8 PORT #2 = 4	2	PRESS-FIT	NO



SNAP-FIT PEG OPTION

SCALE: NTS  
SEE NOTE #7



PRESS-FIT PEG OPTION

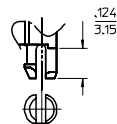
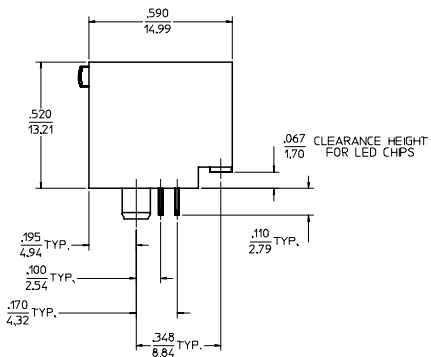
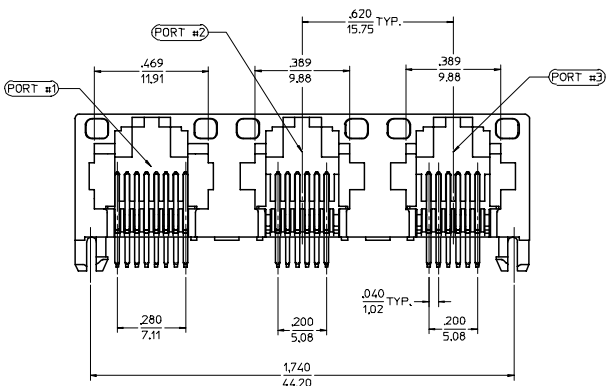
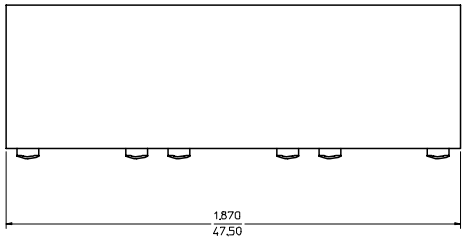
SCALE: NTS  
SEE NOTE #7

- NOTES:
- MATERIAL:  
HOUSING: POLYESTER(PBT); GLASS FILLED UL94V-0. COLOR: BLACK  
LIGHT PIPES: POLYCARBONATE; UL-94V2. COLOR: CLEAR  
TERMINALS: PHOSPHOR BRONZE; .015/0.38 THICK  
SHIELD: BRASS .007/0.18 THICK
  - FINISH:  
TERMINALS:  
\*SELECT GOLD IN CONTACT AREA: 50 MICRONS (1.27 MICROMETERS) MIN.  
\*SELECT TIN IN PC TAIL AREA: 100 MICRONS (2.54 MICROMETERS) MIN.  
WITH OVERALL NICKEL UNDERPLATE: 50 MICRONS (1.27 MICROMETERS) MIN.  
SHIELD:  
\*100 MICRONS (2.54 MICROMETERS) NICKEL OVER  
50 MICRONS (1.27 MICROMETERS) COPPER UNDERPLATE  
PCB GROUND TABS DIPPED IN TIN  
\*THE PRIMARY SHIPPING CARTON WILL BE LABELED "COMPLIANT TO ROHS DIRECTIVE 2002/95/EC AND ELV ANNEX II OF DIRECTIVE 2000/53/EC". CARTONS WITHOUT THIS LABEL MAY CONTAIN PRODUCT WITH TIN-LEAD IN THE PC TAILS AND/OR SHIELD.
  - PRODUCT SPECIFICATION AND PROCESSING PARAMETERS: PS-43860-003.
  - PACKAGING SPECIFICATION:  
CONNECTOR ASSEMBLES IN THERMOFORMED TRAYS PER MOLEX PACKAGING SPECIFICATION PK-44248-004.
  - ALL UNTOLERANCED DIMENSIONS ARE SHOWN FOR REFERENCE ONLY.
  - CONFORMS TO FCC REGULATION PART 68.5 FOR MODULAR JACKS.
  - MODJACKS AVAILABLE WITH EITHER SNAP-FIT OR PRESS-FIT PEGS. THIS DRAWING SHOWS SNAP-FIT PEGS.
  - PCB LAYOUT AND PANEL CUT-OUT SHOWN ON SHEETS (5) OF (5).

2 PORT SHIELDED

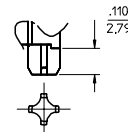
REMOVED 6 PORT EC NO: UCP 2006-2481 DRAWN: PRIDDER 2006/06/12 CHKD: LSCHMDT 2006/06/22 APPR: FSMTH 2006/06/22	QUALITY SYMBOLS	GENERAL TOLERANCES (UNLESS SPECIFIED)	SCALE 4:1	DESIGN UNITS INCH	THIRD ANGLE PROJECTION	REVISE ON CAD ONLY	
	0.0 0.0	4 PLACES ± .005 ± .005 3 PLACES ± .005 ± .005 2 PLACES ± .005 ± .005 1 PLACE ± .005 ± .005	DIMENSION STYLE IN/MM DRAWN BY DATE MKAMAR 99/12/17 CHECKED BY DATE JROBERTS 99/12/17 APPROVED BY DATE JROBERTS 99/12/17	TITLE INVERTED MODJACK ASSEMBLY RJ-45/RJ-11 COMBINATION			
		ANGULAR ±1/2° DRAFT WHERE APPLICABLE MUST REMAIN WITHIN DIMENSIONS			MOLEX MOLEX INCORPORATED MATERIAL NO. DOCUMENT NO. SHEET NO. SEE CHART SD-44580-001 2 OF 5		
		THIS DRAWING CONTAINS INFORMATION THAT IS PROPRIETARY TO MOLEX INCORPORATED AND SHOULD NOT BE USED WITHOUT WRITTEN PERMISSION					

HOUSING PORT #1; (8) CIRCUIT, HOUSING PORT #2&3; (6) CIRCUIT				
ASSEMBLY MATERIAL NUMBER	NUMBER OF CIRCUITS	NUMBER OF PORTS	PEG STYLE	LIGHTPIPES
44580-0017	PORT #1 = 8 PORT #2&3 = 6	3	SNAP-FIT	YES
44580-0018	PORT #1 = 8 PORT #2&3 = 6	3	SNAP-FIT	NO
44580-0019	PORT #1 = 8 PORT #2&3 = 6	3	PRESS-FIT	YES
44580-0020	PORT #1 = 8 PORT #2&3 = 6	3	PRESS-FIT	NO
44580-0021	PORT #1 = 8 PORT #2&3 = 4	3	SNAP-FIT	YES
44580-0022	PORT #1 = 8 PORT #2&3 = 4	3	SNAP-FIT	NO
44580-0023	PORT #1 = 8 PORT #2&3 = 4	3	PRESS-FIT	YES
44580-0024	PORT #1 = 8 PORT #2&3 = 4	3	PRESS-FIT	NO



SNAP-FIT PEG OPTION

SCALE: NTS  
SEE NOTE #7



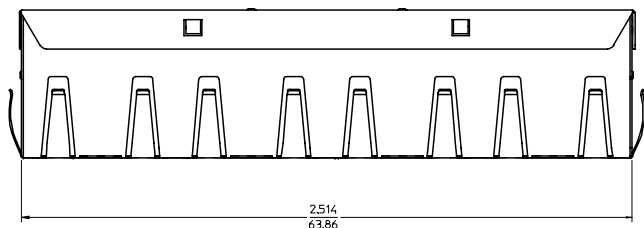
PRESS-FIT PEG OPTION

SCALE: NTS  
SEE NOTE #7

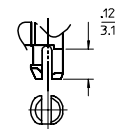
- NOTES:
- MATERIAL: HOUSING: POLYESTER(PBT), GLASS FILLED, UL94V-0. COLOR: BLACK LIGHT PIPES: POLYCARBONATE, UL-94V2, COLOR: CLEAR TERMINALS: PHOSPHOR BRONZE, .015/.038 THICK
  - FINISH: TERMINALS: SELECT GOLD IN CONTACT AREA: 50 MICRONS (1.27 MICROMETERS) MIN. \*SELECT TIN IN PC TAIL AREA: 100 MICRONS (2.54 MICROMETERS) MIN. WITH OVERALL NICKEL UNDERPLATE: 50 MICRONS (1.27 MICROMETERS) MIN. \*THE PRIMARY SHIPPING CARTON WILL BE LABELED 'COMPLIANT TO RoHS DIRECTIVE 2002/95/EC AND ELV ANNEX II OF DIRECTIVE 2000/53/EC'. CARTONS WITHOUT THIS LABEL MAY CONTAIN PRODUCT WITH TIN-LEAD IN THE PC TAILS.
  - PRODUCT SPECIFICATION AND PROCESSING PARAMETERS: PS-43860-003.
  - PACKAGING SPECIFICATION: CONNECTOR ASSEMBLIES IN THERMOFORMED TRAYS PER MOLEX PACKAGING SPECIFICATION PK-44248-004.
  - ALL UNTOLERANCED DIMENSIONS ARE SHOWN FOR REFERENCE ONLY.
  - CONFORMS TO FCC REGULATION PART 68.5 FOR MODULAR JACKS.
  - MODJACKS AVAILABLE WITH EITHER SNAP-FIT OR PRESS-FIT PEGS. THIS DRAWING SHOWS SNAP-FIT PEGS.
  - PCB LAYOUT AND PANEL CUT-OUT SHOWN ON SHEETS (5) OF (5).

3 PORT UNSHIELDED

REMOVED 6 PORT EC NO: UCP 2006-2481 DRWN: PRIDDER 2006/06/12 CHKD: LSCHMDT 2006/06/22 APPR: FSMTH 2006/06/22	QUALITY SYMBOLS	GENERAL TOLERANCES (UNLESS SPECIFIED)	SCALE 4:1	DESIGN UNITS INCH	THIRD ANGLE PROJECTION	REVISE ON CAD ONLY
	DESCRIPTION INVERTED MODJACK ASSEMBLY RJ-45/RJ-11 COMBINATION	4 PLACES ± .005 ± .005 3 PLACES ± .005 ± .005 2 PLACES ± .005 ± .005 1 PLACE ± .005 ± .005	DIMENSION STYLE IN/MM DRAWN BY MKAMAR DATE 99/12/17 CHECKED BY JROBERTS DATE 99/12/17 APPROVED BY JROBERTS DATE 99/12/17	TITLE INVERTED MODJACK ASSEMBLY RJ-45/RJ-11 COMBINATION MOLEX MOLEX INCORPORATED		
		ANGULAR ±1/2° DRAFT WHERE APPLICABLE MUST REMAIN WITHIN DIMENSIONS	MATERIAL NO. SEE CHART DOCUMENT NO. SD-44580-001 SHEET NO. 3 OF 5			
		THIS DRAWING CONTAINS INFORMATION THAT IS PROPRIETARY TO MOLEX INCORPORATED AND SHOULD NOT BE USED WITHOUT WRITTEN PERMISSION				

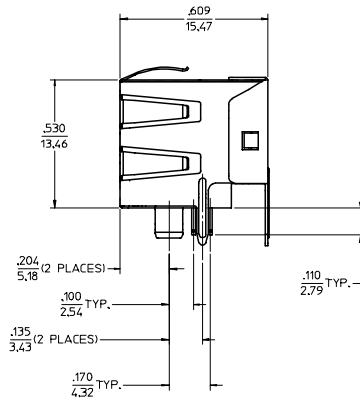
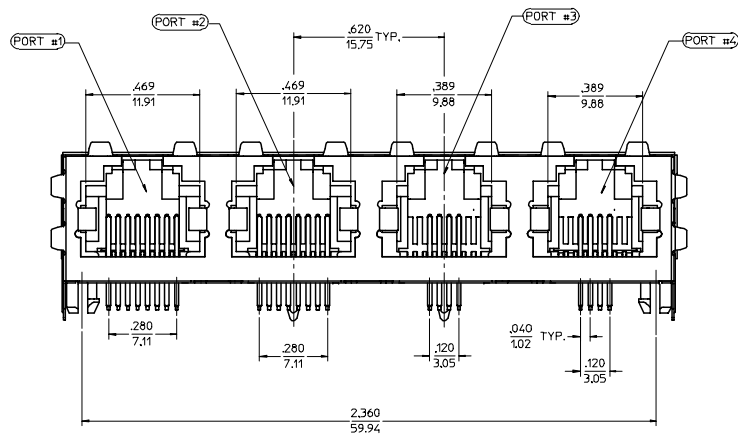


HOUSING PORT #1&2: (8) CIRCUIT, HOUSING PORT #3&4: (6) CIRCUIT				
ASSEMBLY MATERIAL NUMBER	NUMBER OF CIRCUITS	NUMBER OF PORTS	PEG STYLE	LIGHTPIPES
44580-4001	PORT #1&2 = 8 PORT #3&4 = 4	4	SNAP-FIT	NO



SNAP-FIT PEG OPTION

SCALE: NTS  
SEE NOTE #6

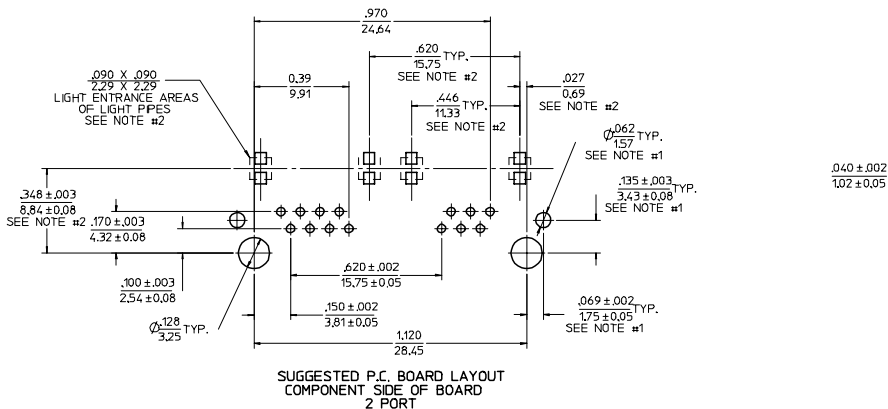


- NOTES:
- MATERIAL: HOUSING: POLYESTER(PBT), GLASS FILLED, UL94V-0, COLOR: BLACK  
LIGHT PIPES: POLYCARBONATE, UL-94V2, COLOR: CLEAR  
TERMINALS: PHOSPHOR BRONZE, .015/0.38 THICK  
SHIELD: BRASS .007/0.18 THICK
  - FINISH: TERMINALS:  
SELECT GOLD IN CONTACT AREA: 50 MICRONS (1.27 MICROMETERS) MIN.  
SELECT TN IN FC TAIL AREA: 100 MICRONS (2.54 MICROMETERS) MIN.  
WITH OVERALL NICKEL UNDERPLATE: 50 MICRONS (1.27 MICROMETERS) MIN.  
SHIELD:  
\*100 MICRONS (2.54 MICROMETERS) NICKEL OVER  
50 MICRONS (1.27 MICROMETERS) COPPER UNDERPLATE  
PCB GROUND TABS DIPPED IN TN  
\*THE PRIMARY SHIPPING CARTON WILL BE LABELED "COMPLIANT TO RoHS DIRECTIVE 2002/95/EC AND ELV ANNEX II OF DIRECTIVE 2000/53/EC" (CARTONS WITHOUT THIS LABEL MAY CONTAIN PRODUCT WITH TN-LEAD IN THE PCB TAILS AND/OR SHIELD.
  - PRODUCT SPECIFICATION AND PROCESSING PARAMETERS: PS-43860-003.
  - PACKAGING SPECIFICATION: CONNECTOR ASSEMBLIES IN THERMOFORMED TRAYS PER MOLEX PACKAGING SPECIFICATION PK-44248-004.
  - ALL UNTOLERANCED DIMENSIONS ARE SHOWN FOR REFERENCE ONLY.
  - CONFORMS TO FCC REGULATION PART 68.5 FOR MODULAR JACKS.
  - PCB LAYOUT AND PANEL CUT-OUT SHOWN ON SHEETS (5) OF (5).

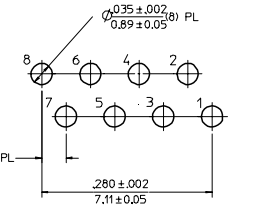
4 PORT SHIELDED

QUALITY SYMBOLS	GENERAL TOLERANCES (UNLESS SPECIFIED)		SCALE	DESIGN UNITS	THIRD ANGLE PROJECTION	REVISE ON CAD ONLY
	mm	INCH	4:1	INCH		
0.0 0.1	4 PLACES	± .005	DIMENSION STYLE			TITLE INVERTED MODJACK ASSEMBLY RJ-45/RJ-11 COMBINATION MOLEX MOLEX INCORPORATED
	3 PLACES	± .005	IN/MM			
	2 PLACES	± .005	DRAWN BY	DATE		
	1 PLACE	± .005	MKAMAR	99/12/17		
	ANGULAR ±1/2°		CHECKED BY	DATE		
	DRAFT WHERE APPLICABLE MUST REMAIN WITHIN DIMENSIONS		JROBERTS	99/12/17		
			APPROVED BY	DATE	MATERIAL NO.	DOCUMENT NO.
			JROBERTS	99/12/17	44580-4001	SD-44580-001
					SHEET NO.	4 OF 5
	THIS DRAWING CONTAINS INFORMATION THAT IS PROPRIETARY TO MOLEX INCORPORATED AND SHOULD NOT BE USED WITHOUT WRITTEN PERMISSION					

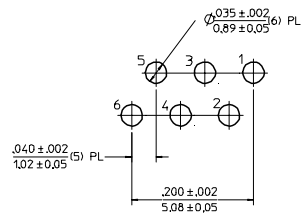
20 | 19 | 18 | 17 | 16 | 15 | 14 | 13 | 12 | 11 | 44580 | 9 | 8 | 7 | 6 | 5 | 4 | 3 | 2 | 1



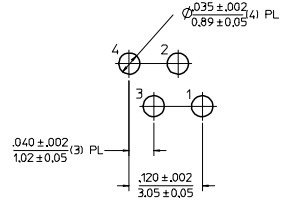
SUGGESTED P.C. BOARD LAYOUT  
COMPONENT SIDE OF BOARD  
2 PORT



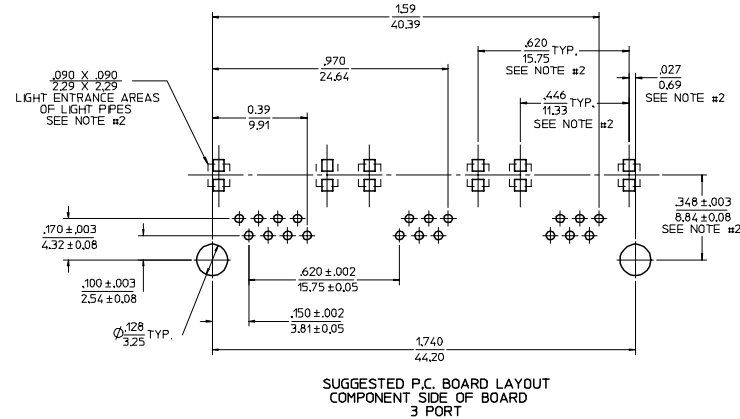
TYPICAL PC TERMINAL HOLE LAYOUT  
(8) CIRCUIT CONFIGURATION  
SCALE: 10:1



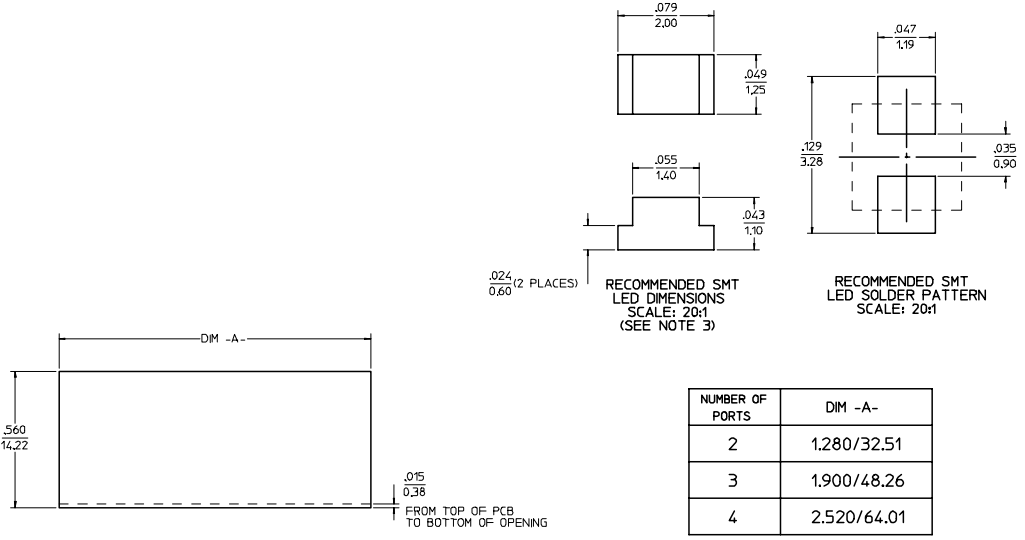
TYPICAL PC TERMINAL HOLE LAYOUT  
(6) CIRCUIT CONFIGURATION  
SCALE: 10:1



TYPICAL PC TERMINAL HOLE LAYOUT  
(4) CIRCUIT CONFIGURATION  
SCALE: 10:1

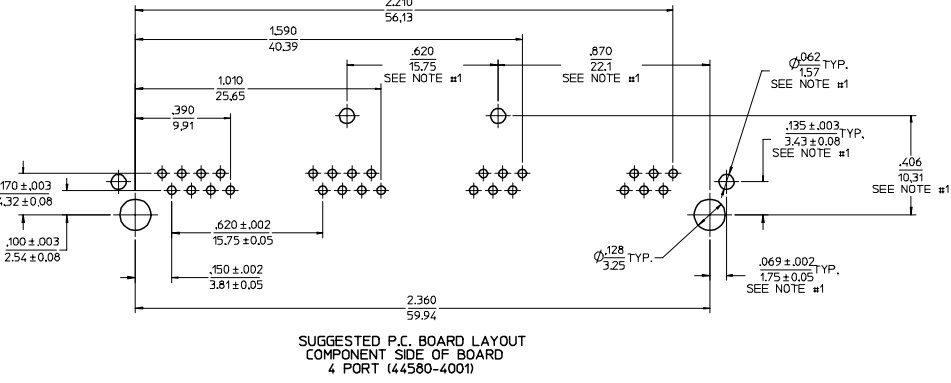


SUGGESTED P.C. BOARD LAYOUT  
COMPONENT SIDE OF BOARD  
3 PORT



RECOMMENDED PANEL CUTOUT

- NOTES:
- 1) DIMENSIONS MARKED "SEE NOTE #1" REFER TO ASSEMBLIES WITH THE SHIELDING OPTION INCLUDED
  - 2) DIMENSIONS MARKED "SEE NOTE #2" REFER TO ASSEMBLIES WITH THE LIGHTPIPE OPTION INCLUDED
  - 3) FOR CROSS REFERENCE OF RECOMMENDED LEADS SEE MOLEX WEB SITE.



SUGGESTED P.C. BOARD LAYOUT  
COMPONENT SIDE OF BOARD  
4 PORT (44580-4001)

REMOVED 6 PORT EC NO: UCP2006-2481 DRAWN: PRIDDER 2006/06/12 CHKD: L.SCHMIDT 2006/06/22 APPR: F.SMITH 2006/06/22	QUALITY SYMBOLS	GENERAL TOLERANCES (UNLESS SPECIFIED)	SCALE 4:1	DESIGN UNITS INCH	THIRD ANGLE PROJECTION	REVISE ON CAD ONLY
	4 PLACES	mm INCH	DIMENSION STYLE IN/MM		TITLE	
	3 PLACES	± --- ± ---	DRAWN BY MKAMAR	DATE 99/12/17	INVERTED MODJACK ASSEMBLY	
	2 PLACES	± --- ± ---	CHECKED BY JROBERTS	DATE 99/12/17	RJ-45/RJ-11 COMBINATION	
1 PLACE	± --- ± ---	ANGULAR ±1/2°	APPROVED BY JROBERTS	DATE 99/12/17	MATERIAL NO. N/A	
DRAFT WHERE APPLICABLE MUST REMAIN WITHIN DIMENSIONS		THIS DRAWING CONTAINS INFORMATION THAT IS PROPRIETARY TO MOLEX INCORPORATED AND SHOULD NOT BE USED WITHOUT WRITTEN PERMISSION		DOCUMENT NO. SD-44580-001	SHEET NO. 5 OF 5	

19 | 18 | 17 | 16 | 15 | 14 | 13 | 12 | 11 | 10 | 9 | 8 | 7 | 6 | 5 | 4 | 3 | 2 | 1