

PLEASE CHECK WWW.MOLEX.COM FOR LATEST PART INFORMATION

Part Number: **0587230010**
Status: **Active**
Overview: HMC Heavy Duty Rectangular Connectors
Description: HMC Rectangular Industrial Hood, Multi-Module Type, Vertical, External Thread, 48-72 Circuits

Documents:

3D Model	Product Specification PS-58719-006-001 (PDF)
Drawing (PDF)	Application Specification AS-58723-004-001 (PDF)
Product Specification PS-58719-005-001 (PDF)	RoHS Certificate of Compliance (PDF)

General

Product Family	I/O Connectors
Series	58723
Application	Panel-Mount
Component Type	Hood
Overview	HMC Heavy Duty Rectangular Connectors
Product Name	HMC
Type	N/A
UPC	800753921153

Physical

Circuits (Loaded)	48
Circuits (maximum)	48
Durability (mating cycles max)	50
Lock to Mating Part	Yes
Material - Plating Mating	N/A
Net Weight	348271.700/mg
Orientation	Vertical
Packaging Type	Bag
Panel Mount	N/A
Pitch - Mating Interface	N/A
Polarized to Mating Part	Yes
Temperature Range - Operating	-55°C to +125°C
Termination Interface: Style	N/A
Waterproof / Dustproof	Yes
Waterproof / Dustproof Type	IP65

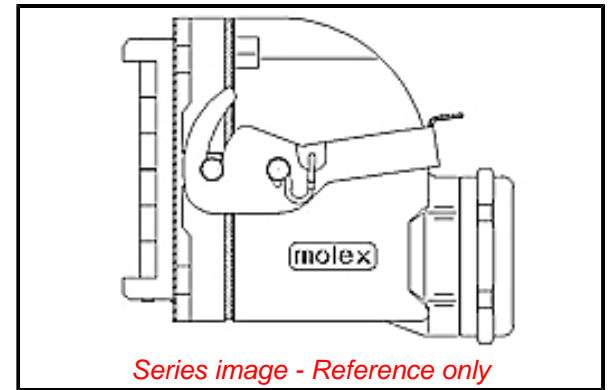
Electrical

Current - Maximum per Contact	13.0A, 20.0A
Voltage - Maximum	250V AC

Material Info

Reference - Drawing Numbers

Application Specification	AS-58723-004-001
Product Specification	PS-58719-005-001, PS-58719-006-001
Sales Drawing	SD-58723-002



EU ELV

Not Relevant

EU RoHS

Compliant with Exemption 6(a)-I REACH SVHC

Not Contained Per - ED/108/2014 (17 Dec 2014)

Halogen-Free

Status

Low-Halogen

Need more information on product environmental compliance?

Email productcompliance@molex.com
Please visit the [Contact Us](#) section for any non-product compliance questions.

China ROHS	50 Image
ELV	Not Relevant
RoHS Phthalates	Not Reviewed

Search Parts in this Series

58723 Series

Mates With

58719-0010 Panel Mount Bracket Type A Polarization, 58719-0020 PanelMount Bracket Type B Polarization

Use With

58866 End Bell Cap Assembly, 58721 Hood Bracket