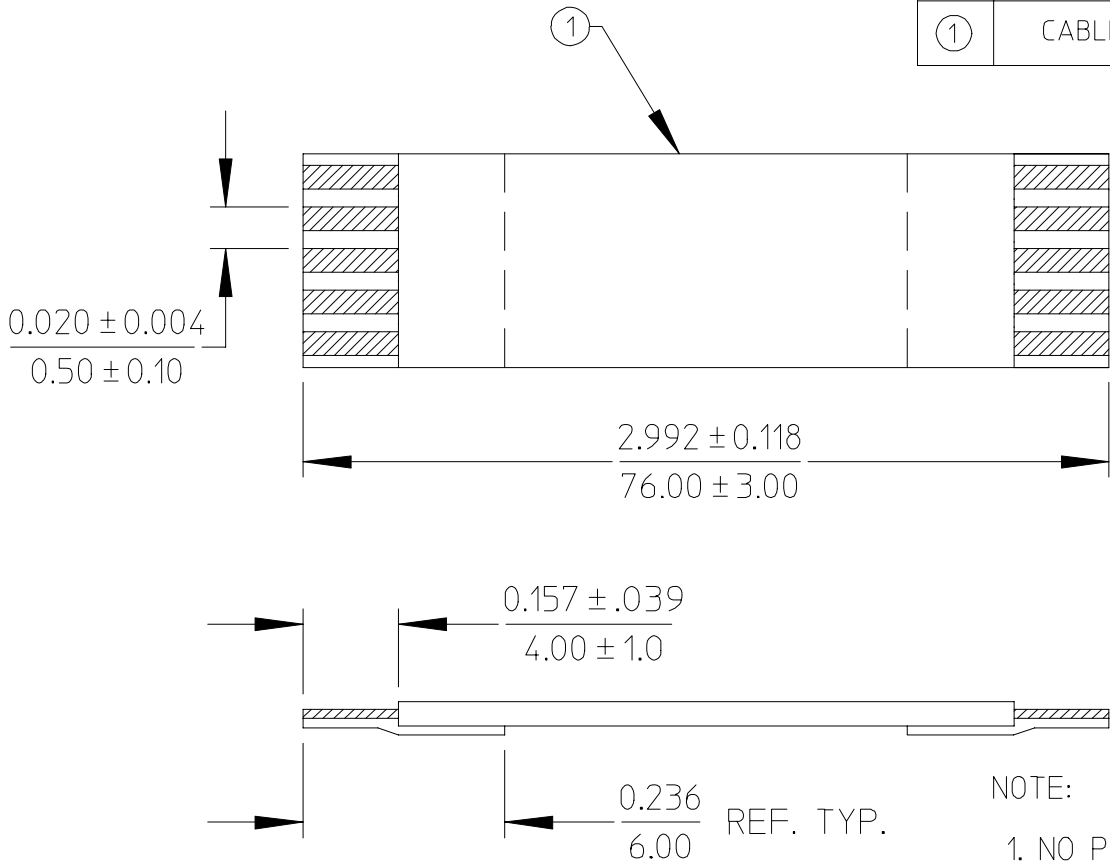


21020

ITEM	DESCRIPTION	P/N	QTY	CKT. SIZE	TEMP. RATING
①	CABLE	21020-7640	2.992"	40	L



- NOTE:
1. NO PRINTING TO BE ALLOWED ON CABLE.
 2. PACK JUMPER CABLES IN 50 PIECES QTY. WITH RUBBER BAND AND "BUBBLE WRAP (ZIP LOCK) EACH BUNDLE".

REF. PRODUCT SPEC. NO. SMPS-21020

EC NO: UAU2006-0024 DRWN: DDEMO 2005/08/19 CHK: LEBENSORGER APPR: GPRATT 2005/08/22	QUALITY SYMBOLS ▽ - 0 ▽ - 0	GENERAL TOLERANCES (UNLESS SPECIFIED)		SCALE 1:1	DESIGN UNITS INCH	THIRD ANGLE PROJECTION		REVISE ON CAD ONLY		
			mm	INCH	DIMENSION STYLE IN/MM		TITLE			
		4 PLACES	± ---	± ---	DRAWN BY	DATE	0.50MM FFC JUMPER CABLE STYLE TYPE "A" PDR UAU-001416-00-00			
		3 PLACES	± ---	± .005	DDEMO	05/08/12				
		2 PLACES	± 0.13	± .010	CHECKED BY	DATE	MOLEX INCORPORATED			
1 PLACE	± 0.25	± ---	LEBENSORGER	05/08/19						
DRAFT WHERE APPLICABLE		ANGULAR ± 1/2 °		APPROVED BY	DATE	MATERIAL NO.	DOCUMENT NO.	SHEET NO.		
MUST REMAIN WITHIN DIMENSIONS				GPRATT	05/08/19	21020-7640	21020-7640	1 OF 1		

THIS DRAWING CONTAINS INFORMATION THAT IS PROPRIETARY TO MOLEX INCORPORATED AND SHOULD NOT BE USED WITHOUT WRITTEN PERMISSION