

W34SF7BT

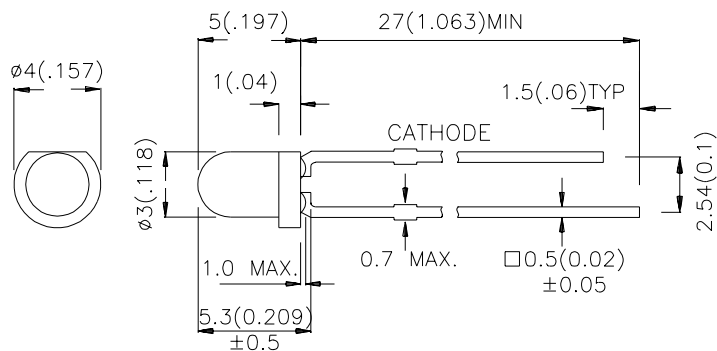
Features

- LOW POWER CONSUMPTION.
- POPULAR T-1 DIAMETER PACKAGE.
- GENERAL PURPOSE LEADS.
- RELIABLE AND RUGGED.
- LONG LIFE - SOLID STATE RELIABILITY.
- AVAILABLE ON TAPE AND REEL.

Description

SF7 made with Gallium Aluminum Arsenide infrared
Emitting diodes.

Package Dimensions



Notes:

1. All dimensions are in millimeters (inches).
2. Tolerance is $\pm 0.25(0.01)$ unless otherwise noted.
3. Lead spacing is measured where the lead emerge package.
4. Specifications are subject to change without notice.

Selection Guide

Part No.	Dice	Lens Type	Po(mW/sr) @ 20 mA *50mA		Viewing Angle
			Min.	Typ.	2θ1/2
W34SF7BT	GaAlAs	BLUE TRANSPARENT	7	18	50°
			*10	*45	50°

Note:

1. θ1/2 is the angle from optical centerline where the luminous intensity is 1/2 the optical centerline value.

Electrical / Optical Characteristics at T_A=25°C

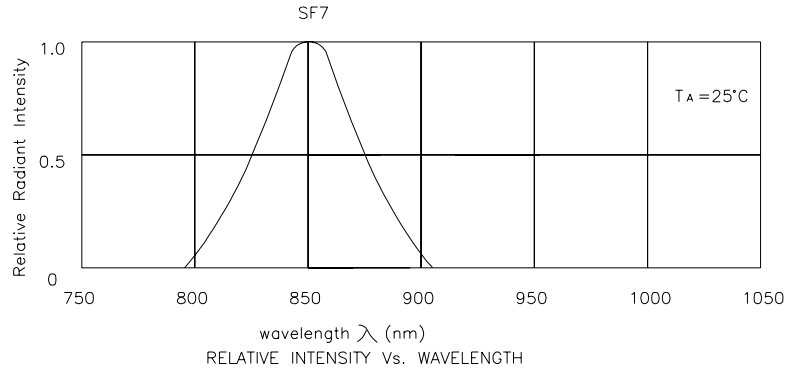
Item	P/N	Symbol	Typ.	Max.	Unit	Condition
Forward Voltage	SF7	V _F	1.4	1.6	V	IF =20mA
Reverse Current	SF7	I _R	10	-	uA	VR=5V
Junction Capacitance	SF7	C	90	-	pF	VF=0V, f=1MHz
Peak Spectral Wavelength	SF7	λ _P	850	-	nm	IF =20mA
Spectral Bandwidth	SF7	Δλ 1/2	50	-	nm	IF =20mA

Absolute Maximum Ratings at T_A=25°C

Parameter	Symbol	SF7	Units
Power Dissipation	P _T	100	mW
Forward Current	I _F	50	mA
Peak Forward Current[1]	i _{FS}	1	A
Reverse Voltage	V _R	5	V
Operating Temperature	T _A	-40~ +85	°C
Storage Temperature	T _{STG}	-40~ +85	°C
Lead Solder Temperature[2]	260°C For 5 Seconds		

Notes:

1. 1/100 Duty Cycle, 10us Pulse Width.
2. 2mm below package base.



W34SF7BT

