

**Type 3637 Series**

**Type 3637 Series**



The 3637 series design allows for a range of products which give not only a high current rating, but minimizes the board space required for this product. Tyco Sigma quality, matched with reliability and low cost make this series suitable for many applications in power line DC-DC conversion. The low height profile of the components make this series also suitable for hard disk drives, notebook PC's and other electronic equipment.

**Key Features**

- Available in 3 different sizes
- Down to 4mm height profile
- Isat to 6.5A
- Taped and Reeled
- Low RDC
- Wide Inductance range
- Ferrite core

**Electrical Characteristics - 3637A Series**

Inductance Code	Inductance (µH)	Q Ref.	Test Freq. (MHz)		S.R.F. (MHz) Typ.	R.D.C. (mΩ) Max.	Irms (A) Max.	Isat (A) Typ.
			L (0.1V)	Q				
100	10.0±15%	30	0.1	2.52	25.0	65	1.70	1.90
120	12.0±15%	30	0.1	2.52	22.0	70	1.60	1.80
150	15.0±15%	30	0.1	2.52	20.0	95	1.40	1.60
180	18.0±15%	30	0.1	2.52	18.0	105	1.30	1.40
220	22.0±15%	28	0.1	2.52	16.0	136	1.20	1.30
270	27.0±15%	25	0.1	2.52	14.0	165	1.10	1.25
330	33.0±10%	25	0.1	2.52	13.0	180	1.05	1.15
390	39.0±10%	25	0.1	2.52	12.0	200	0.92	1.00
470	47.0±10%	25	0.1	2.52	11.0	260	0.80	0.90
560	56.0±10%	25	0.1	2.52	10.0	280	0.70	0.72
680	68.0±10%	25	0.1	2.52	9.0	350	0.65	0.68
820	82.0±10%	20	0.1	2.52	8.0	450	0.62	0.65
101	100.0±10%	40	0.1	0.796	7.5	560	0.55	0.62
121	120.0±10%	35	0.1	0.796	7.0	670	0.50	0.58
151	150.0±10%	40	0.1	0.796	6.5	800	0.46	0.54
181	180.0±10%	50	0.1	0.796	6.0	1150	0.40	0.45
221	220.0±10%	45	0.1	0.796	5.0	1250	0.36	0.40
271	270.0±10%	40	0.1	0.796	4.5	1400	0.32	0.35

**Electrical Characteristics - 3637B Series**

Inductance Code	Inductance (µH)	Q Ref.	Test Freq. (MHz)		S.R.F. (MHz) Nom.	R.D.C. (mΩ) Max.	Irms (A) Typ.	Isat (A) Typ.
			L	Q				
100	10±20%	26	0.1	2.520	30.0	0.035	3.50	3.00
150	15±20%	35	0.1	2.520	26.0	0.058	2.70	2.40
220	22±20%	30	0.1	2.520	20.0	0.065	2.50	2.10
330	33±20%	30	0.1	2.520	15.0	0.095	2.00	1.60
470	47±15%	28	0.1	2.520	12.0	0.132	1.80	1.40
680	68±15%	26	0.1	2.520	10.9	0.180	1.50	1.20
101	100±15%	28	0.1	0.796	9.0	0.270	1.10	1.00
151	150±15%	32	0.1	0.796	6.5	0.420	0.90	0.78
221	220±15%	33	0.1	0.796	5.5	0.590	0.72	0.65
331	330±15%	25	0.1	0.796	4.8	0.800	0.60	0.54
471	470±10%	24	0.1	0.796	3.6	1.200	0.50	0.47
681	680±10%	30	0.1	0.796	2.7	1.680	0.42	0.38
102	1000±10%	65	0.1	0.252	2.1	2.650	0.35	0.32
152	1500±10%	75	0.1	0.252	1.8	4.000	0.26	0.22

**Electrical Characteristics - 3637C Series**

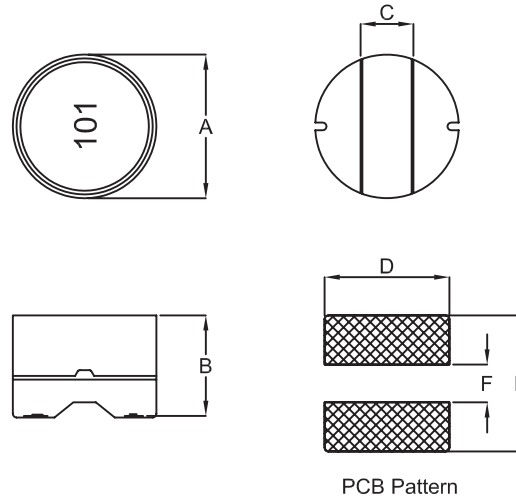
Inductance Code	Inductance (µH)	Q Ref.	Test Freq. (MHz)		S.R.F. (MHz) Nom.	R.D.C. (mΩ) Max.	Irms (A) Typ.	Isat (A) Typ.
			L	Q				
100	10±20%	46	0.1	2.520	25	0.04	4.60	6.50
150	15±20%	45	0.1	2.520	18	0.05	4.00	5.60
220	22±20%	42	0.1	2.520	13	0.06	3.50	4.50
330	33±20%	50	0.1	2.520	12	0.08	2.80	3.70
470	47±20%	50	0.1	2.520	10	0.12	2.40	3.20
680	68±20%	48	0.1	2.520	8.0	0.16	2.00	2.70
101	100±20%	48	0.1	0.796	6.0	0.21	1.60	2.00
151	150±20%	42	0.1	0.796	5.0	0.30	1.30	1.70
221	220±20%	38	0.1	0.796	4.0	0.50	1.10	1.50
331	330±20%	38	0.1	0.796	3.0	0.75	0.80	1.20
471	470±20%	36	0.1	0.796	2.5	1.10	0.72	0.95
681	680±20%	36	0.1	0.796	2.0	1.45	0.60	0.85
102	1000±20%	32	0.1	0.252	1.5	2.10	0.50	0.70

**Type 3637 Series**

**Environmental Characteristics -**

Storage Temp:	-40°C to +125°C
Operating Temp:	-40°C to +105°C

**Dimensions**



Series	A	B	C ref.	D ref.	E ref.	F ref.
3637A	7.5±0.3	4.0±0.3	2.6	8.0	7.8	2.4
3637B	9.9±0.3	4.5±0.3	2.9	10.0	10.0	2.8
3637C	13.0±0.3	7.0±0.3	5.0	14.0	14.0	4.5

**How to Order**

3637	A	100	K
Common Part	Style	Inductance	Tolerance
3637	A, B or C	See Relevant Table for Inductance Code	K - ±10% L - ±15% M - 20%