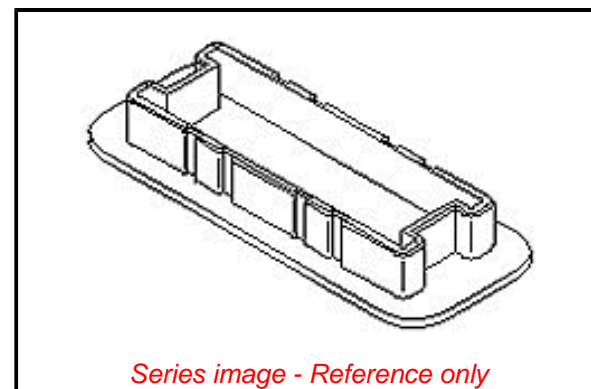


PLEASE CHECK WWW.MOLEX.COM FOR LATEST PART INFORMATION

Part Number: [0512010001](#)
Status: **Active**
Overview: [HMC Heavy Duty Rectangular Connectors](#)
Description: [HMC Rectangular Industrial Dust Cover for Panel-Mount Bracket, Multi-Module Type, 36 Circuits](#)

Documents:

3D Model	Application Specification AS-58696-005-001 (PDF)
Drawing (PDF)	Application Specification AS-58696-006-001 (PDF)
Product Specification PS-58691-004-001 (PDF)	RoHS Certificate of Compliance (PDF)
Application Specification AS-58696-004-001 (PDF)	



Series image - Reference only

General

Product Family	I/O Connectors
Series	51201
Application	Panel-Mount
Component Type	Dust Cover for Panel-Mount Bra
Overview	HMC Heavy Duty Rectangular Connectors
Product Name	HMC
Type	N/A
UPC	800753247277

Physical

Circuits (Loaded)	36
Circuits (maximum)	0
Gender	N/A
Lock to Mating Part	Yes
Material - Plating Mating	N/A
Net Weight	10600.000/mg
Orientation	Vertical
Packaging Type	Bag
Panel Mount	N/A
Pitch - Mating Interface	N/A
Polarized to Mating Part	Yes
Temperature Range - Operating	-55°C to +125°C
Termination Interface: Style	N/A
Waterproof / Dustproof	Yes
Waterproof / Dustproof Type	IP65

Electrical

Current - Maximum per Contact	12.0A
-------------------------------	-------

Material Info

Reference - Drawing Numbers

Application Specification	AS-58696-004-001, AS-58696-005-001, AS-58696-006-001
Product Specification	PS-58691-004-001
Sales Drawing	SD-51201-002

EU ELV

Not Relevant

EU RoHS

Compliant

REACH SVHC

Not Contained Per -
ED/30/2017 (7 July
2017)

Halogen-Free

Status

Not Low-Halogen

Need more information on product environmental compliance?

Email productcompliance@molex.com
Please visit the [Contact Us](#) section for any non-product compliance questions.

China ROHS	Green Image
ELV	Not Relevant
RoHS Phthalates	Not Contained

Search Parts in this Series

[51201](#) Series

Use With

58691-00*0 Panel Mount Bracket