

**PLEASE CHECK WWW.MOLEX.COM FOR LATEST PART INFORMATION**

**Part Number:** [0015045122](#)  
**Status:** **Active**  
**Overview:** [SL Modular Connectors](#)  
**Description:** 2.54mm SL Interim Clip, 12 Circuits

**Documents:**

[3D Model](#) [RoHS Certificate of Compliance \(PDF\)](#)  
[Drawing \(PDF\)](#)

**Agency Certification**

CSA LR19980  
 UL E29179

**General**

Product Family Accessories  
 Series [70004](#)  
 Component Type Interim Clip  
 Overview [SL Modular Connectors](#)  
 Product Name SL  
 UPC 800753605114

**Physical**

Circuits (Loaded) 12  
 Circuits (maximum) 12  
 Color - Resin Black  
 Flammability 94V-0  
 Lock to Mating Part Yes  
 Material - Resin Polyester  
 Net Weight 1.647/g  
 Number of Rows 1  
 Packaging Type Bag

**Solder Process Data**

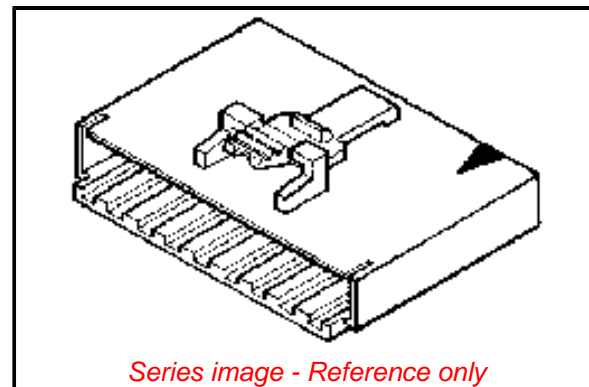
Lead-freeProcess Capability N/A

**Material Info**

Engineering Number 70004-0011

**Reference - Drawing Numbers**

Sales Drawing SD-70004-0003-0057



**EU ELV**

**Not Relevant**

**EU RoHS**

**Compliant**

**REACH SVHC**

Not Contained Per  
 -ED/01/2018 (15  
 January 2018)

**Halogen-Free**

**Status**

**Not Low-Halogen**

**Need more information on product  
 environmental compliance?**

Email [productcompliance@molex.com](mailto:productcompliance@molex.com)  
 Please visit the [Contact Us](#) section for any  
 non-product compliance questions.

China ROHS	Green Image
ELV	Not Relevant
RoHS Phthalates	Not Contained

**Search Parts in this Series**

[70004 Series](#)

**Use With**

[70066](#) SL Crimp Housing. [70058](#) SL  
 Crimp Terminal. [70400](#) SL IDT Connector  
 Assembly. [70430](#) SL FFC Connector