

**PLEASE CHECK WWW.MOLEX.COM FOR LATEST PART INFORMATION**

**Part Number:** [0685610019](#)  
**Status:** **Active**  
**Overview:** Serial ATA Connectors and Cable Assemblies  
**Description:** 1.27mm Pitch Serial ATA IDT Power Latching Adapter Cable Assembly, 0.152m Length, 0.76µm Gold (Au), 5V+12V, Lead-Free

**Documents:**

[Drawing \(PDF\)](#) [RoHS Certificate of Compliance \(PDF\)](#)

**General**

Product Family	Cable Assemblies
Series	<a href="#">68587</a>
Application	Power
Assembly Configuration	Dual Ended Connectors
Connector to Connector	Serial ATA-to-Serial ATA
Overview	<a href="#">Serial ATA Connectors and Cable Assemblies</a>
Product Name	Serial ATA
UPC	822348496624

**Physical**

Cable Length	0.152m
Circuits (Loaded)	15
Gender	Male-Female
Lock to Mating Part	Yes
Material - Metal	Stainless Steel
Material - Plating Mating	Gold
Material - Plating Termination	Tin
Net Weight	15.120/g
Packaging Type	Bag
Pitch - Mating Interface	1.27mm
Plating min - Mating	0.762µm
Plating min - Termination	1.905µm
Single Ended	No
Termination Interface: Style	IDT or Pierce
Wire Insulation Diameter	N/A
Wire Size AWG	18
Wire/Cable Type	PVC

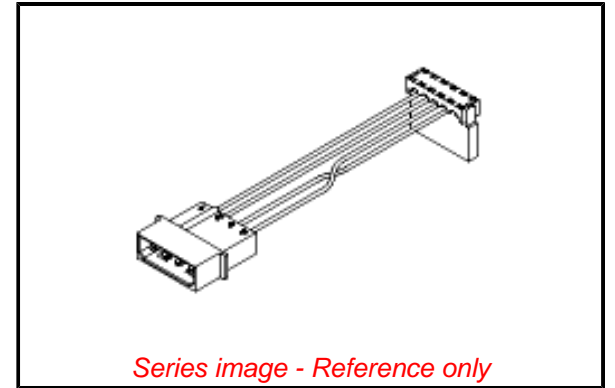
**Electrical**

Current - Maximum per Contact	1.5A
Impedance	100Ω
Shielded	No
Voltage - Maximum	40V

**Material Info**

**Reference - Drawing Numbers**

Sales Drawing	SD-68561-003
---------------	--------------



*Series image - Reference only*

**EU ELV**

**Compliant**

**EU RoHS**

**Compliant**

**REACH SVHC**

Not Contained Per  
-ED/01/2018 (15  
January 2018)

**Halogen-Free**

**Status**

**Not Low-Halogen**

**Need more information on product environmental compliance?**

Email [productcompliance@molex.com](mailto:productcompliance@molex.com)  
Please visit the [Contact Us](#) section for any non-product compliance questions.

China ROHS

ELV

RoHS Phthalates

Green Image

Compliant

Not Contained

**Search Parts in this Series**

[68587 Series](#)