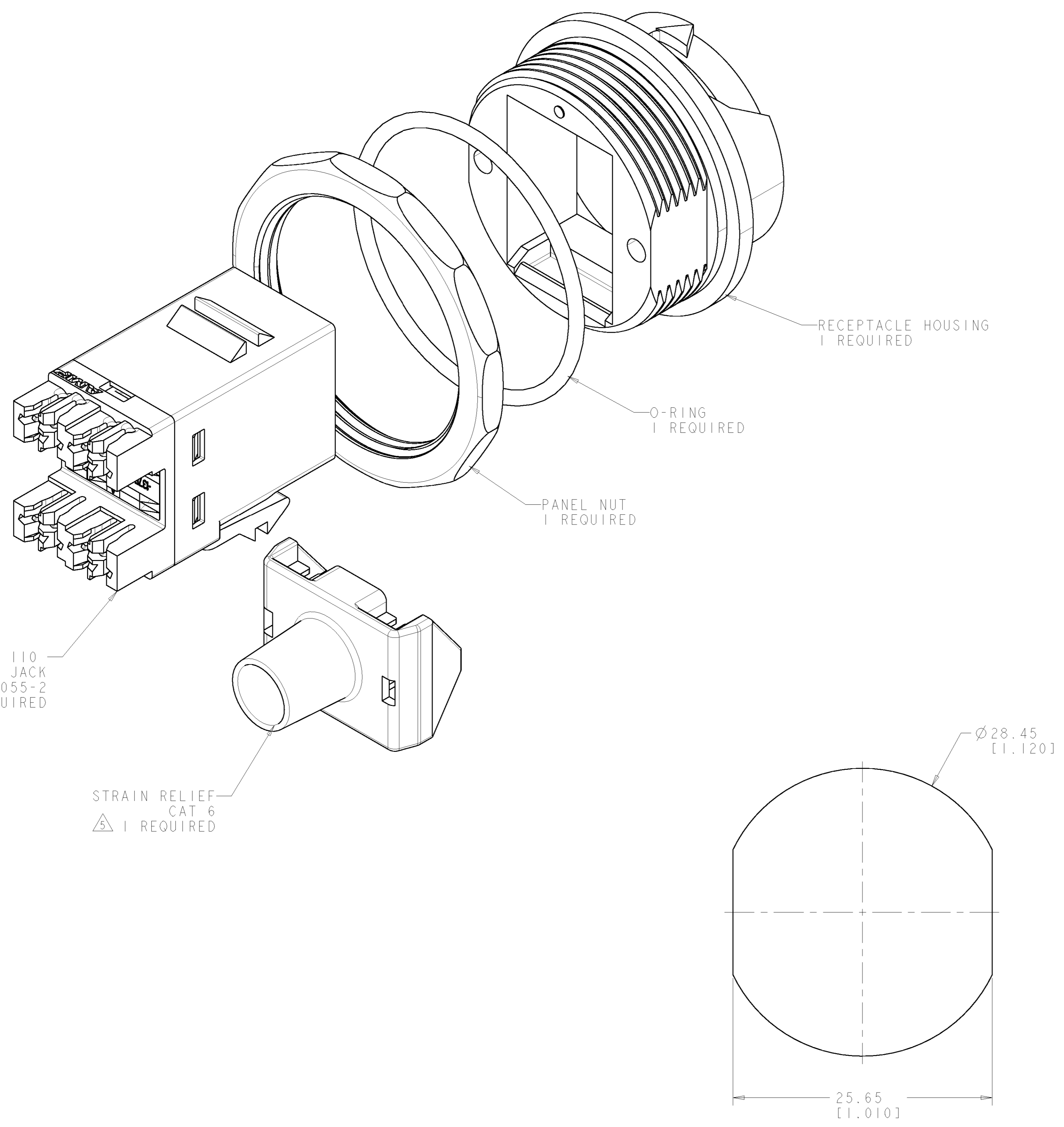


REVISONS		DATE	DWN	APVD
P. LTR	DESCRIPTION			
A	RLSD - NSD04-001	21JAN04	GG	CD



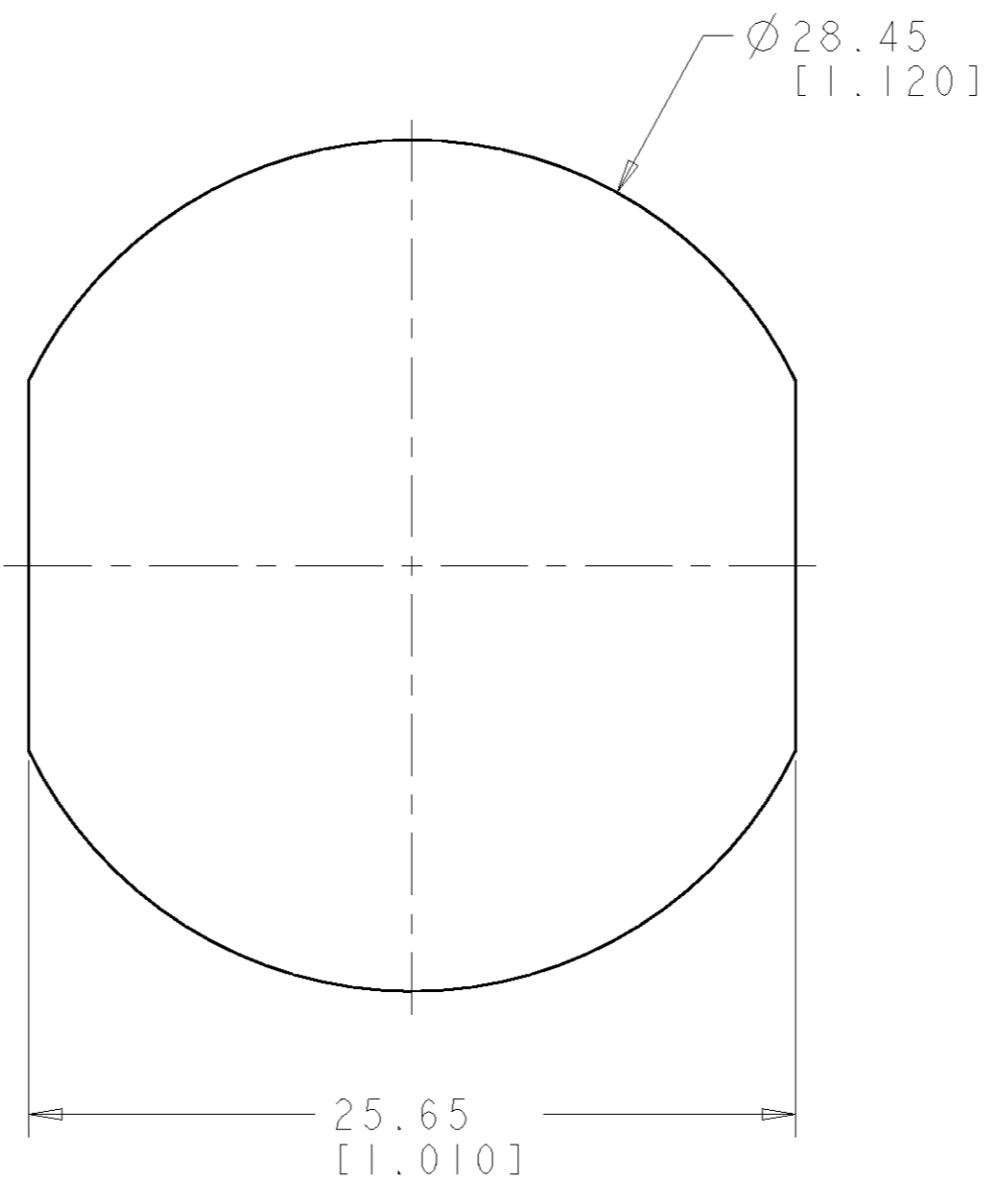
SL 110
 CAT 6 JACK
 PART NUMBER 1375055-2
 1 REQUIRED

STRAIN RELIEF
 CAT 6
 1 REQUIRED

RECEPTACLE HOUSING
 1 REQUIRED

O-RING
 1 REQUIRED

PANEL NUT
 1 REQUIRED



RECOMMENDED PANEL CUTOUT
 SCALE 4:1

- 1 MATERIAL: JACK HOUSING - POLYPHENYLENE OXIDE, 94V-0 RATED.
 ARRAY TRAY - PBT POLYESTER.
 110 BLOCK AND STRAIN RELIEF - POLYCARBONATE.
 JACK CONTACTS - BERYLLIUM COPPER, PLATED WITH 1.27µm [0.00050] MINIMUM THICK GOLD IN LOCALIZED AREA AND 3.81µm [0.00150] MINIMUM THICK TIN-LEAD IN SOLDER AREA OVER 1.27µm [0.00050] MINIMUM THICK NICKEL UNDERPLATE.
 IDC TERMINALS - PHOSPHOROUS BRONZE, PLATED WITH 3.81µm [0.0015] MINIMUM THICK BRIGHT TIN-LEAD OVER 1.27µm [0.0005] MINIMUM THICK NICKEL UNDERPLATE.
 RECEPTACLE HOUSING - PBT, 94V-0 RATED.
 O-RING SEALS - BUNA.
 PANEL NUT - NICKEL PLATED BRASS.
- 2. SL 110 JACK WILL TERMINATE 22-24 AWG SOLID CONDUCTORS AND 24 AWG STRANDED CONDUCTORS, 1.14 [0.045] MAXIMUM INSULATION DIAMETER.
- 3 SUGGESTED PANEL CUTOUT OPENING.
- 4 PACKAGED ONE MODULAR JACK, ONE STRAIN RELIEF, ONE O-RING, ONE ETHERSEAL HOUSING, AND ONE PANEL NUT, PER POLYBAG. KIT SHIPPED NOT ASSEMBLED.
- 5 ASSEMBLY SHIPPED WITH STRAIN RELIEF NOT LATCHED AT REAR OF JACK HOUSING ASSEMBLY.
- 6 REFER TO INSTRUCTION SHEET 408-8417 FOR JACK TERMINATION ASSEMBLY INSTRUCTIONS AND 408-8875 FOR ETHERSEAL RECEPTACLE KIT ASSEMBLY INSTRUCTIONS.

BLACK	1479565-2
COLOR	PART NUMBER

<small>THIS DRAWING IS UNPUBLISHED. RELEASED FOR PUBLICATION. THIS IS SUBJECT TO CHANGE FOR THE CUSTOMER'S SPECIFICATIONS. TOLERANCES UNLESS OTHERWISE SPECIFIED:</small>		DWN: GARRETT 21JAN04 ENK: C. DOOLEY 21JAN04 APVD: C. DOOLEY 21JAN04	tyco Electronics Tyco Electronics Harrisburg, PA 17105-3608
DIMENSIONS: MM [INCHES]	0 PLC ± 1 PLC ± 2 PLC ± 3 PLC ± 4 PLC ± ANGLES ± FINISH -	NAME: KIT, ETHERSEAL, UTP, CAT 6 SL 110 JACK, FRONT MOUNT, BLACK	SIZE: A CAGE CODE: 00779 DRAWING NO: 1479565
MATERIAL: - FINISH: -		WEIGHT: - CUSTOMER DRAWING	RESTRICTED TO: - SCALE: 4:1 SHEET 1 OF 1 REV A