

**PLEASE CHECK WWW.MOLEX.COM FOR LATEST PART INFORMATION**

**Part Number:** [0876090052](#)

**Status:** **Active**

**Description:** 1.27mm Pitch DIMM 8-Byte Socket, Right Angle, Multi-Key, 168 Circuits, with Beveled Metal Pins and Plastic Pegs, with Beige Latches, 2.79mm Tail Length, 0.38µm Gold (Au) Plating, Center Function Key, Lead-Free

**Documents:**

[3D Model](#)

[Product Specification PS-87609-002-001 \(PDF\)](#)

[Drawing \(PDF\)](#)

[RoHS Certificate of Compliance \(PDF\)](#)

**General**

Product Family	Memory Module Sockets
Series	<a href="#">87609</a>
Component Type	Socket
JEDEC Outline	MO-161
Product Name	DIMM
UPC	822348566259

**Physical**

Circuits (Loaded)	168
Durability (mating cycles max)	25
Entry Angle	90° Angle (Side Entry)
Function Key	Center
Housing Color	Black
Keying to Mating Part	Yes
Latch Color	Beige
Material - Metal	Brass, High Performance Alloy (HPA)
Material - Plating Mating	Gold
Material - Plating Termination	Tin
Material - Resin	High Temperature Thermoplastic
Net Weight	17.366/g
PC Tail Length	2.79mm
PCB Locator	Yes
PCB Retention	Yes
PCB Thickness - Recommended	1.60mm
Packaging Type	Tray
Pitch - Mating Interface	1.27mm
Plating min - Mating	0.381µm
Plating min - Termination	2.540µm
Temperature Range - Operating	-10°C to +85°C
Termination Interface: Style	Through Hole

**Electrical**

Current - Maximum per Contact	1.0A
Voltage - Maximum	125V
Voltage Key	3.3V, Center

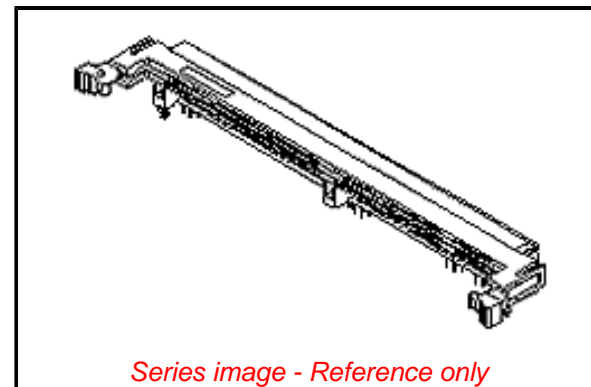
**Solder Process Data**

Lead-free Process Capability	WAVE
------------------------------	------

**Material Info**

**Reference - Drawing Numbers**

Product Specification	PS-87609-002-001
Sales Drawing	SD-87609-001



*Series image - Reference only*

**EU ELV**

**Not Relevant**

**EU RoHS**

**Compliant**

**REACH SVHC**

Not Contained Per  
-ED/01/2017 (12  
January 2017)

**Halogen-Free**

**Status**

**Not Low-Halogen**

**Need more information on product environmental compliance?**

Email [productcompliance@molex.com](mailto:productcompliance@molex.com)  
Please visit the [Contact Us](#) section for any non-product compliance questions.

China ROHS	Green Image
ELV	Not Relevant
RoHS Phthalates	Not Contained

**Search Parts in this Series**

[87609 Series](#)

**Mates With**

JEDEC MO-161 Modules

This document was generated on 07/24/2017

**PLEASE CHECK [WWW.MOLEX.COM](http://WWW.MOLEX.COM) FOR LATEST PART INFORMATION**