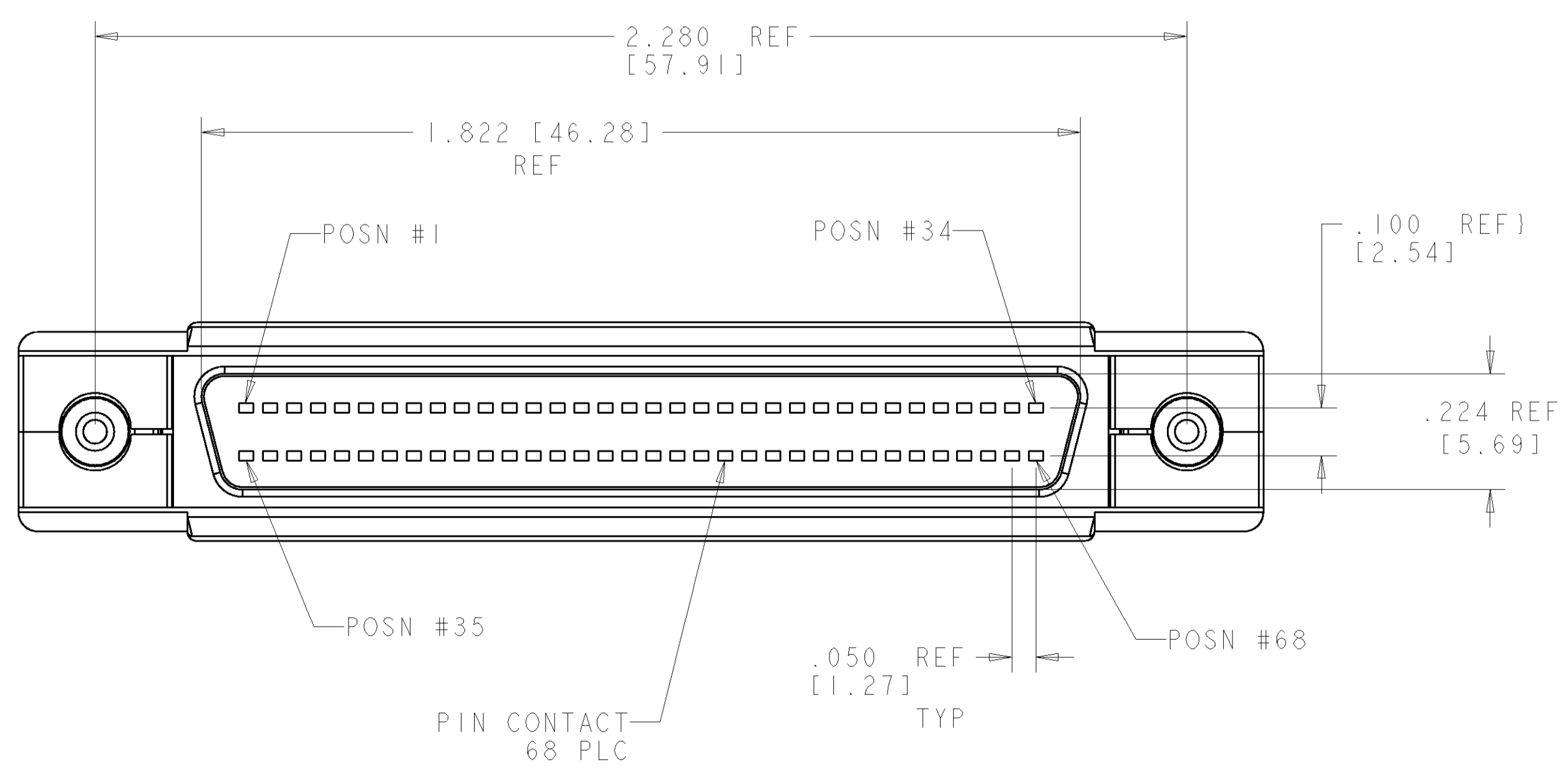
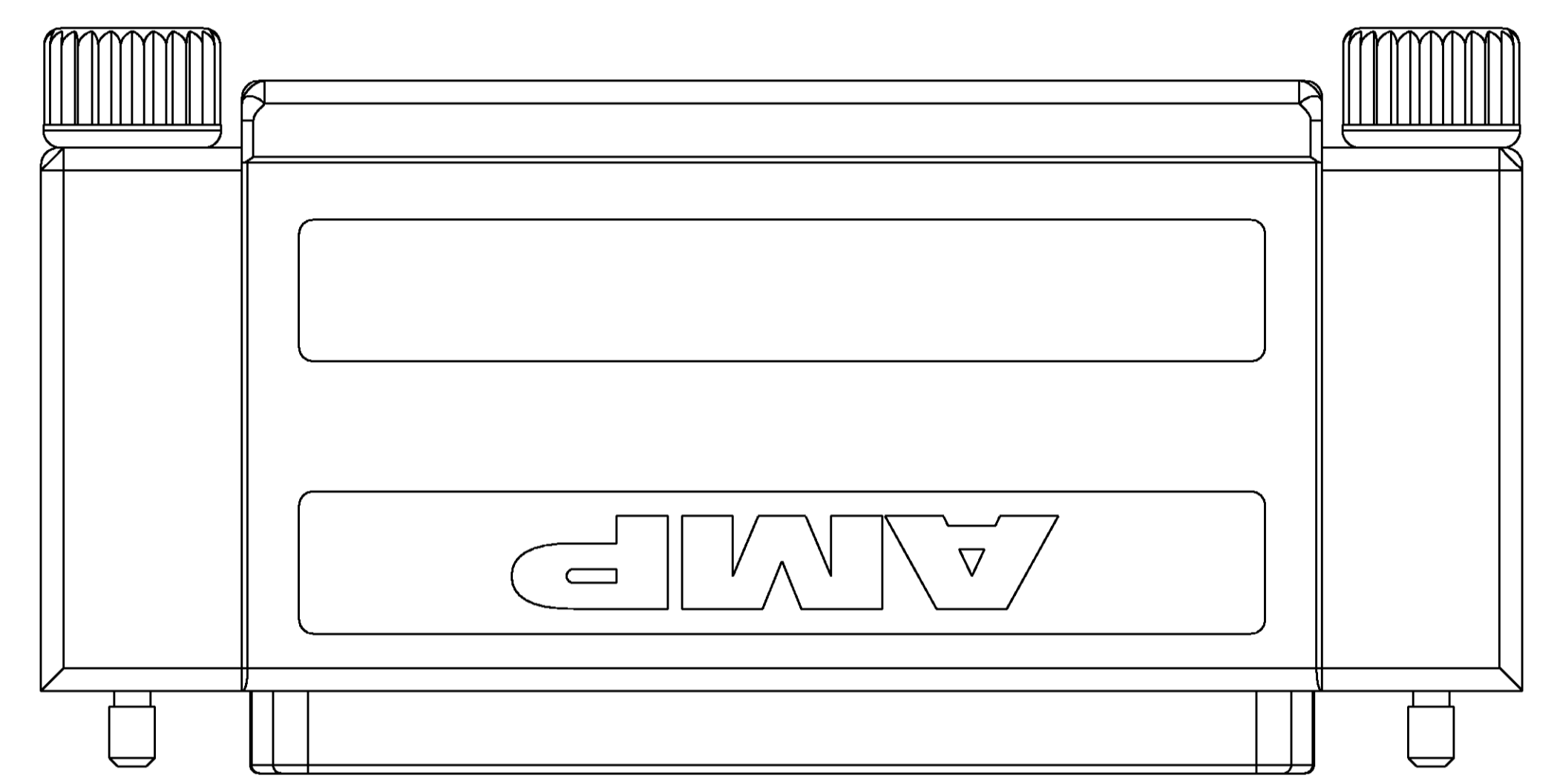
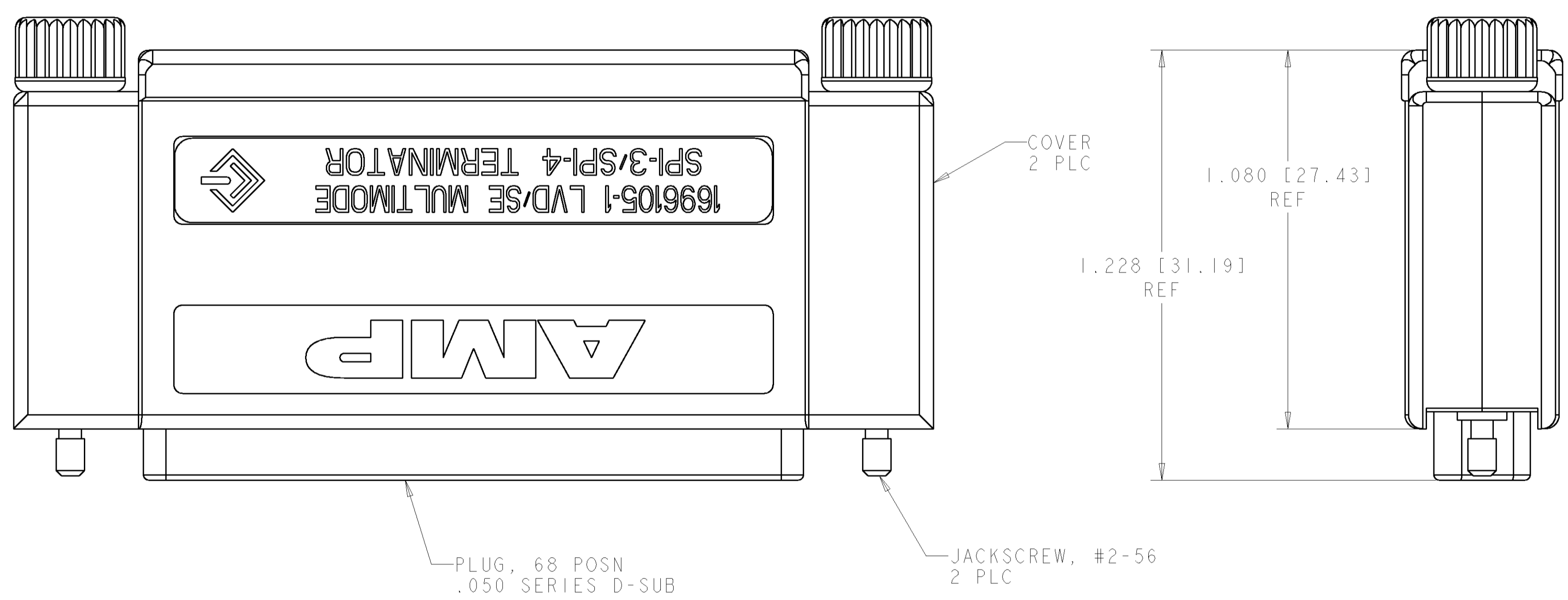
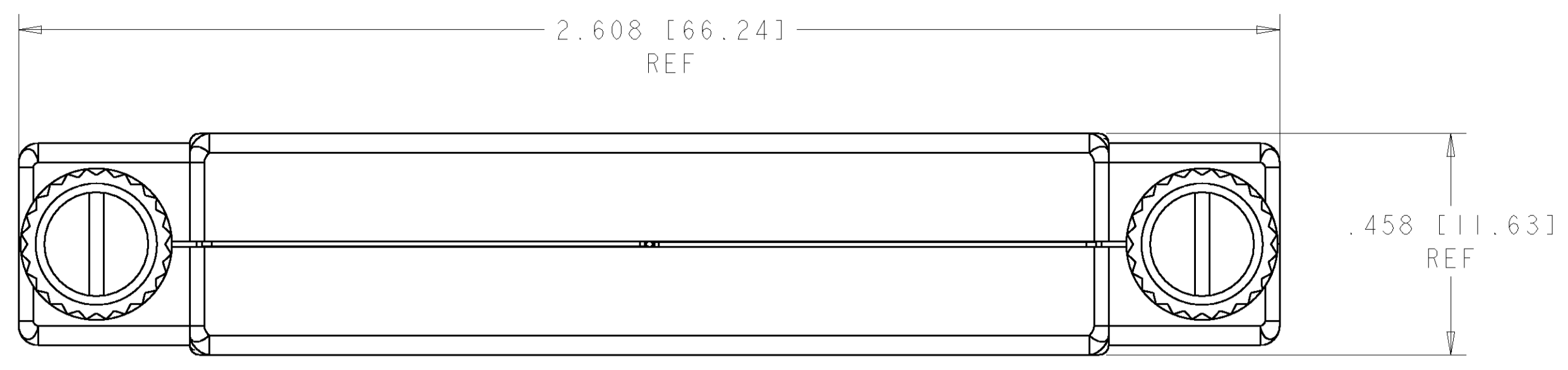


LOC		DIST		REVISIONS			
GP	00	P	LTR	DESCRIPTION	DATE	DWN	APVD
		O		RELEASE - I	24JAN2005	TS	RF
		A		REV PER 0520-0545-05	04APR2005	TS	RF



1. PRODUCT TO MEET REQUIREMENTS OF EU DIRECTIVE 2002/95/EC.

1696105-1
 PART NO

<small>THE DIMENSIONS TO BE USED FOR THIS DRAWING ARE THE DIMENSIONS OF THE PARTS AS SUPPLIED BY THE MANUFACTURER. THE DIMENSIONS TO BE USED FOR THE PARTS AS SUPPLIED BY THE MANUFACTURER ARE THE DIMENSIONS OF THE PARTS AS SUPPLIED BY THE MANUFACTURER.</small>		DWN T. SMITH 24JAN2005 CHK R. FOWLER 24JAN2005 APVD T. SMITH 24JAN2005	tyco Electronics Tyco Electronics Harrisburg, PA 17105-3608
DIMENSIONS: INCHES(mm)	TOLERANCES UNLESS OTHERWISE SPECIFIED: 0 PLC ± 1 PLC ± 2 PLC ± 3 PLC ± 4 PLC ± ANGLES ± FINISH -	NAME PRODUCT SPEC APPLICATION SPEC WEIGHT CUSTOMER DRAWING	NAME TERMINATOR, LVD/SE, SPI-3/SPI-4, 68 POSITION, .050 SERIES SIZE CAGE CODE DRAWING NO RESTRICTED TO A 100779 C-1696105 - SCALE 4:1 SHEET 1 OF 2 REV A

