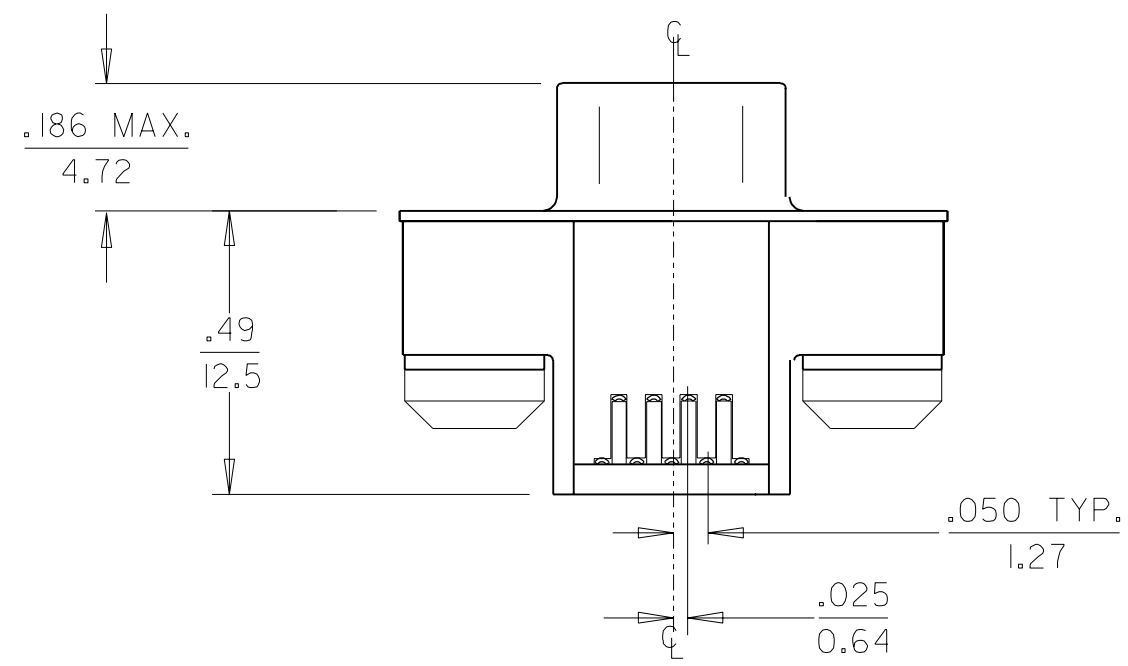
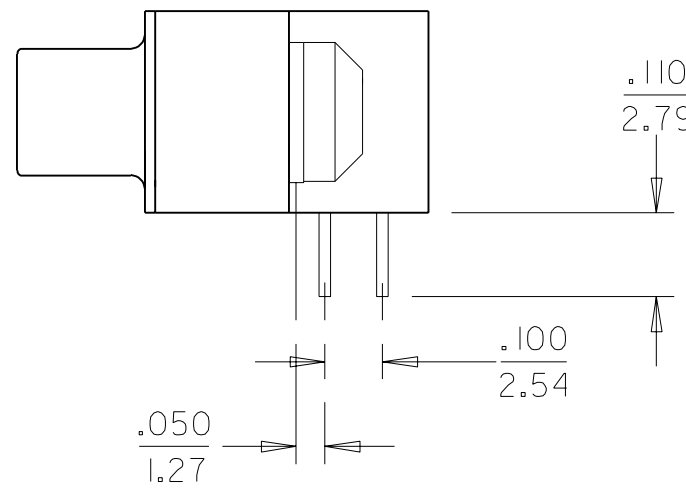
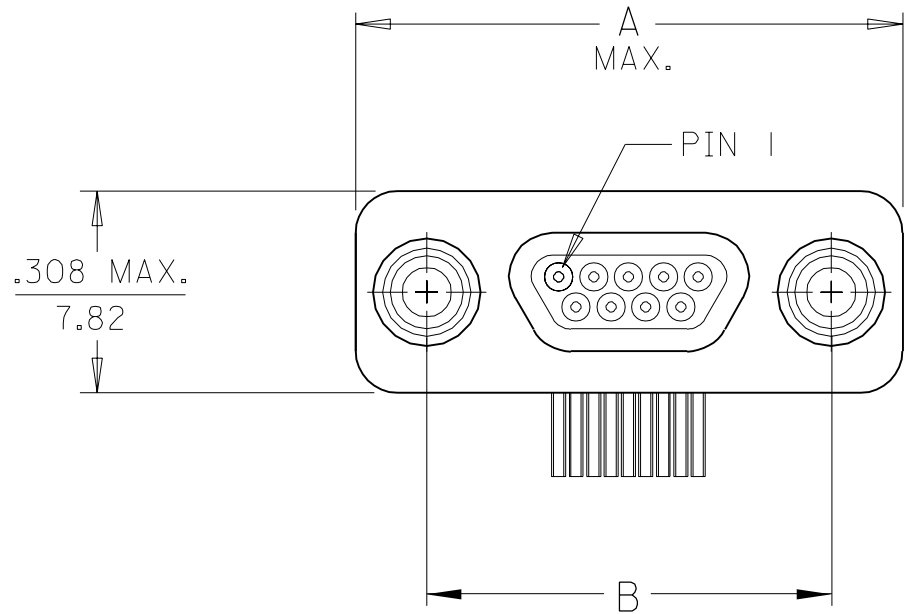
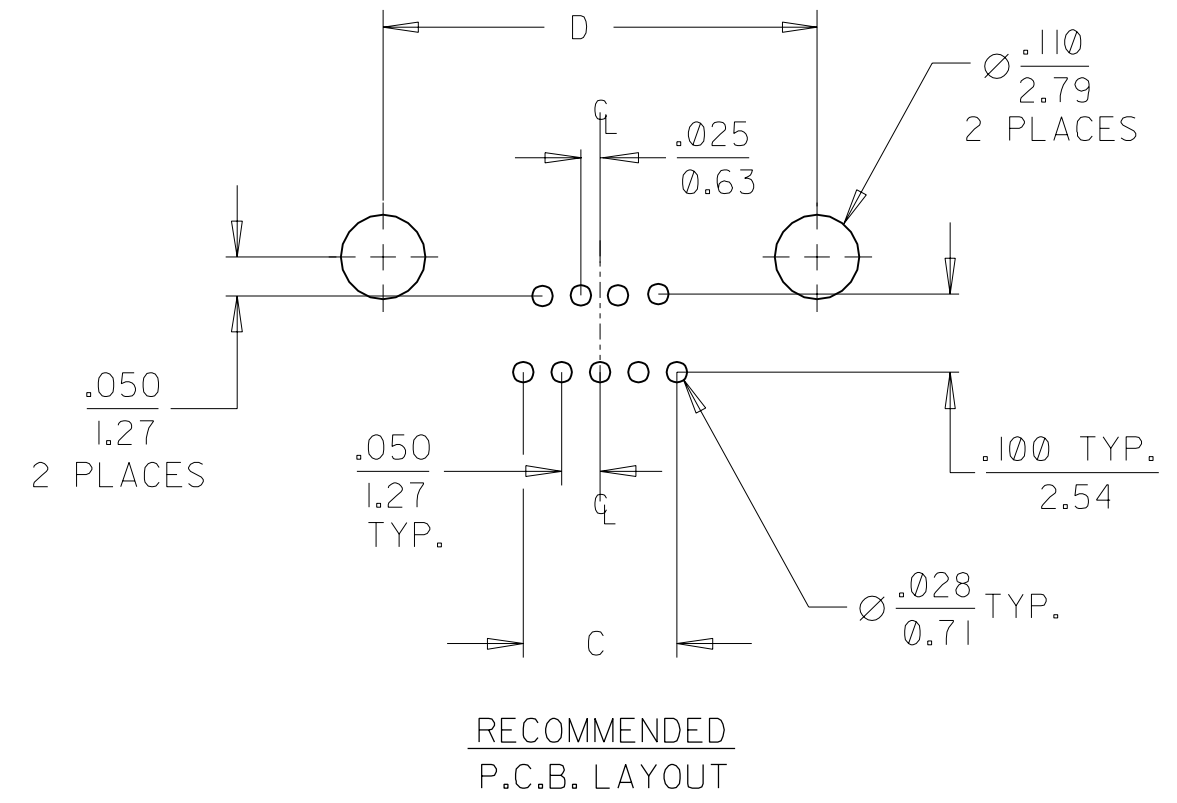
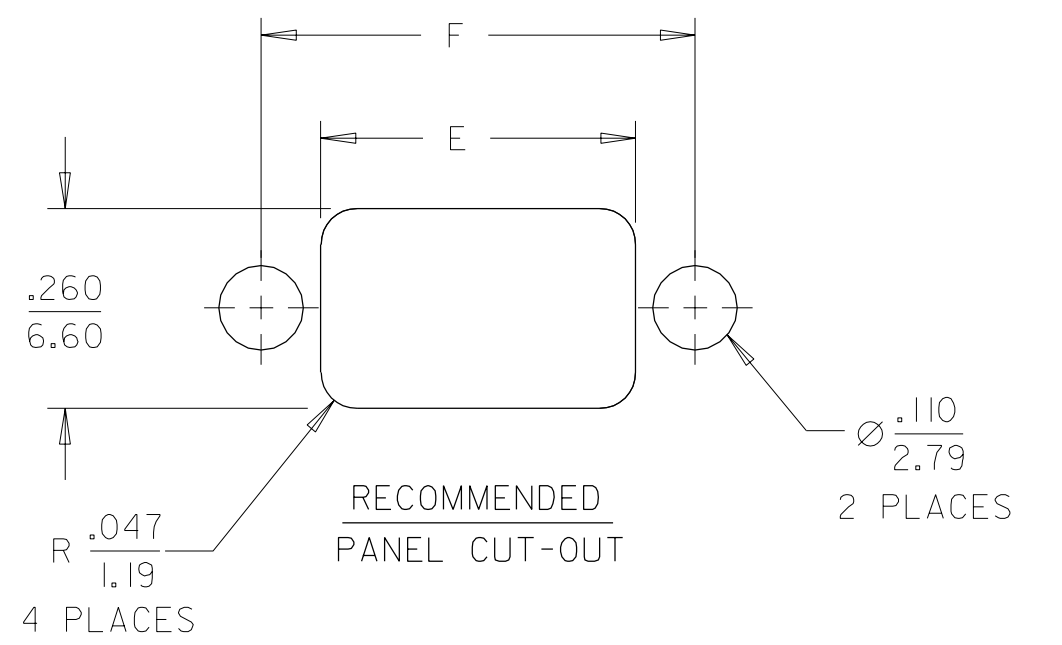


MATERIAL NO.	ENG. NO.	SIZE	A MAX.	B	C	D	E	F
836119028	83611-9028	9	.783/19.93	.565/14.35	.200/5.08	.565/14.35	.410/10.41	.565/14.35
836129033	83612-9033	15	.933/23.75	.715/18.16	.350/8.88	.715/18.16	.560/14.22	.715/18.16
836149022	83614-9022	25	1.185/30.10	.965/24.51	.600/15.23	.965/24.51	.810/20.57	.965/24.51



SIZE 9 SHOWN

2. MARKING: NONE.  
 1. REFER TO PS-83421-9000 FOR PRODUCT SPECIFICATION.  
 NOTES: UNLESS OTHERWISE SPECIFIED.



### SALES DRAWING

ADDED LAYOUTS EC NO. ETC2004-0214 DRWN: JAL 04/04/22 CHK: RWD 04/04/23 APPR: RWD 04/04/23	QUALITY SYMBOLS MAJOR $\nabla = \emptyset$ CRITICAL $\triangle = \emptyset$	GENERAL TOLERANCES: (UNLESS SPECIFIED)		SCALE NONE DESIGN UNITS <input type="checkbox"/> mm <input checked="" type="checkbox"/> INCH	THIRD ANGLE PROJECTION <input checked="" type="checkbox"/>	DIMENSIONS: <input type="checkbox"/> mm <input checked="" type="checkbox"/> INCH <input type="checkbox"/> mm ONLY	SHT REV	
		4 PLACES $\pm 0.0000$ $\pm .0000$	mm INCH	DRAWN BY & DATE JAL 02/06/29	TITLE: CONNECTOR SUB-ASSEMBLY, RIGHT ANGLE PLUG SIZE 9, 15, 25			REVISE ON CAD ONLY
		3 PLACES $\pm 0.0000$ $\pm .0000$	2 PLACES $\pm 0.26$ $\pm 0.20$	CHECKED BY & DATE HEB 02/07/08	MOLEX INCORPORATED			
		1 PLACE $\pm 0.50$ $\pm .0000$	ANGULAR: $\pm 1^\circ$	APPROVED BY & DATE RWD 02/07/12	CAD FILENAME SD-83611-003.DGN	MATERIAL NO. (SEE CHART)	DRAWING NO. SD-83611-003	SHEET NO. 31 OF 31
DRAFT WHERE APPLICABLE MUST REMAIN WITHIN DIMENSIONS	THIS DRAWING CONTAINS INFORMATION THAT IS PROPRIETARY TO MOLEX INCORPORATED AND SHOULD NOT BE USED WITHOUT WRITTEN PERMISSION.					SIZE B		