

**PLEASE CHECK WWW.MOLEX.COM FOR LATEST PART INFORMATION**

**Part Number:** [09-01-7161](#)  
**Status:** **Active**  
**Overview:** Edge Card Connectors  
**Description:** 3.96mm Pitch KK® Crimp Housing, Edge Card Connector, Single-Sided, Surface Mount, Polarized, with Flange, 16 Circuits, Rib between 4 & 5, 7 & 8, 11 & 12

**Documents:**

[3D Model](#) [Packaging Specification PK-2574-001 \(PDF\)](#)  
[Drawing \(PDF\)](#) [RoHS Certificate of Compliance \(PDF\)](#)  
[Product Specification PS-08-50 \(PDF\)](#)

**Agency Certification**

UL E29179

**General**

Product Family Edge Card Connectors  
 Series [2574](#)  
 Component Type Edgecard to Wire  
 Overview [Edge Card Connectors](#)  
 Product Name Edge Card, KK®  
 UPC 800753845169

**Physical**

(p)ower-(s)ignal Configuration 16s - 0p  
 Circuits (Loaded) 16  
 Circuits (maximum) 16  
 Color - Resin Natural  
 Durability (mating cycles max) 25  
 Entry Angle Vertical (Top Entry)  
 Flammability 94V-2  
 Keying to Mating Part Yes  
 Material - Plating Mating N/A  
 Material - Resin Nylon  
 Net Weight 5.448/g  
 PCB Retention None  
 PCB Thickness - Recommended 1.60mm  
 Packaging Type Bag  
 Panel Mount With Flange  
 Pitch - Mating Interface 3.96mm  
 Polarized to Mating Part Yes  
 Temperature Range - Operating 0°C to +75°C  
 Termination Interface: Style N/A

**Electrical**

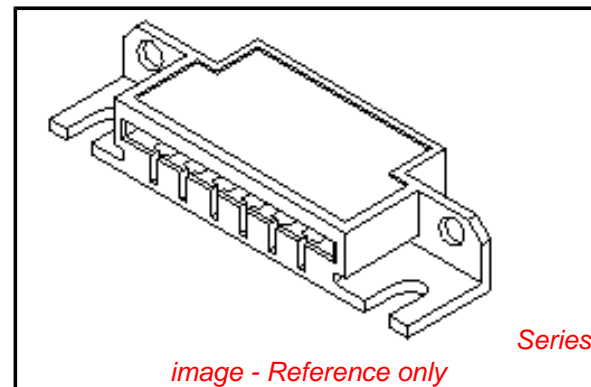
Current - Maximum per Contact 4.25A, 4.5A, 4.75A, 4A, 5A  
 Voltage - Maximum 250V

**Material Info**

Old Part Number 2574-16B9

**Reference - Drawing Numbers**

Package Specification PK-2574-001  
 Product Specification PS-08-50  
 Sales Drawing SD-2574



*image - Reference only*

**EU RoHS**

**ELV and RoHS  
Compliant**

**REACH SVHC**

**Contains SVHC: No  
Low-Halogen Status  
Low-Halogen**

**China RoHS**



**Need more information on product  
environmental compliance?**

Email [productcompliance@molex.com](mailto:productcompliance@molex.com)  
 For a multiple part number RoHS Certificate of Compliance, [click here](#)

Please visit the [Contact Us](#) section for any non-product compliance questions.

**Search Parts in this Series**

[2574Series](#)

**Mates With**

PCB, 1.60mm Max. Thickness

**Use With**

[2878](#) Terminals, [2478](#) Terminals, [2578](#) Terminals, Bifurcated

This document was generated on 09/22/2014

**PLEASE CHECK [WWW.MOLEX.COM](http://WWW.MOLEX.COM) FOR LATEST PART INFORMATION**