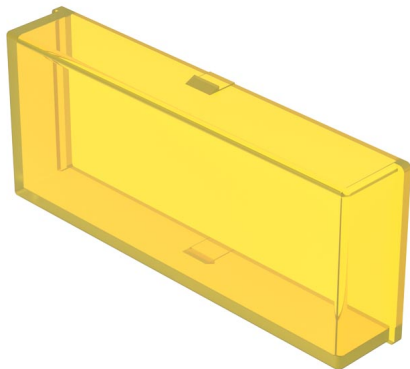


EAO – Your Expert Partner for Human Machine Interfaces

03-908.4 - Holder single-headed

03-908.4 - Holder single-headed



Attention: The preview is based on a sample product. This can differ from your current configuration.

Other Attributes

Weight	0,001 kg
Material	Plastic
Colour	yellow

Optics

Optics	translucent
--------	-------------