

PLEASE CHECK WWW.MOLEX.COM FOR LATEST PART INFORMATION

Part Number: [0008700042](#)
Status: **Active**
Description: 4.80mm Pitch Crimp Terminal, Female, Bag

Documents:

[Drawing \(PDF\)](#) [Product Specification PS-5025-002 \(PDF\)](#)
[Product Specification PS-5025-001 \(PDF\)](#) [RoHS Certificate of Compliance \(PDF\)](#)

General

Product Family Crimp Terminals
 Series [5005](#)
 Application Power
 Crimp Quality Equipment Yes
 Product Name N/A
 UPC 800753619081

Physical

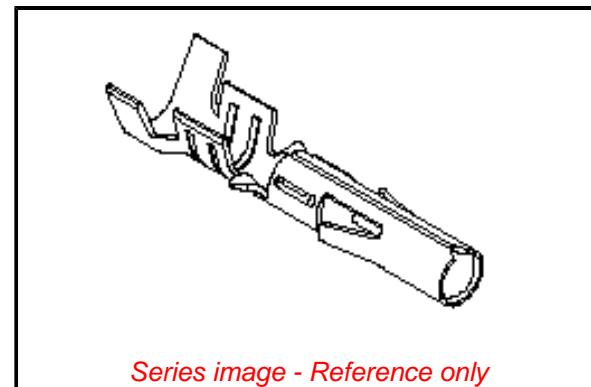
Gender Female
 Material - Metal Brass
 Material - Plating Mating Tin
 Material - Plating Termination Tin
 Net Weight 150.200/mg
 Packaging Type Bag
 Plating min - Mating 0.889µm
 Plating min - Termination 0.889µm
 Termination Interface: Style Crimp or Compression
 Wire Insulation Diameter 1.30-3.00mm
 Wire Size AWG 18, 20, 22, 24
 Wire Size mm² N/A

Material Info

Engineering Number 5005TL

Reference - Drawing Numbers

Crimp Specification [CS-5005/5006](#)
 Product Specification [PS-5025-001](#), [PS-5025-002](#)
 Sales Drawing [SD-5005*](#)



EU ELV

Not Relevant

EU RoHS

Compliant

REACH SVHC

Not Contained Per
 -ED/01/2018 (15
 January 2018)

Halogen-Free

Status

Low-Halogen

Need more information on product environmental compliance?

Email productcompliance@molex.com
 Please visit the [Contact Us](#) section for any non-product compliance questions.

China ROHS

ELV

RoHS Phthalates

Green Image

Not Relevant

Not Contained

Search Parts in this Series

[5005](#) Series

Mates With

[5006](#)

Use With

[5025](#) Receptacle