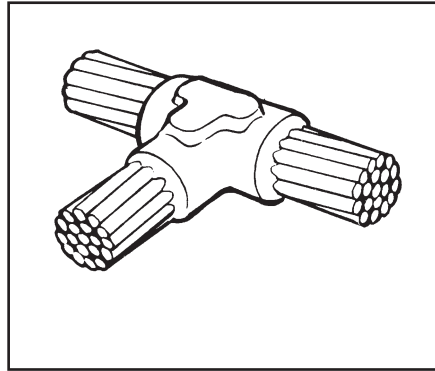
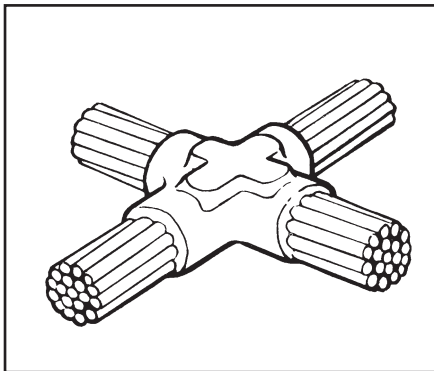


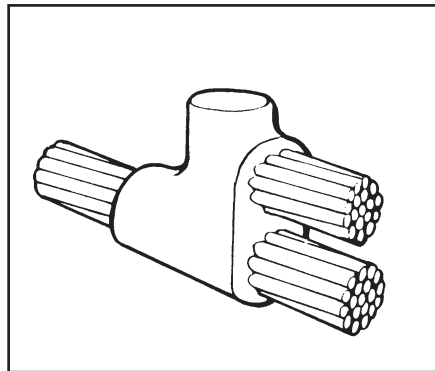
CC1 Page G7



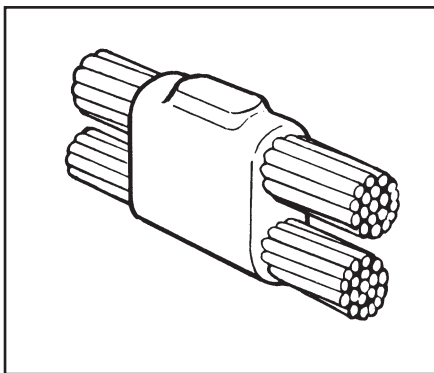
CC2 Pages G8-G9



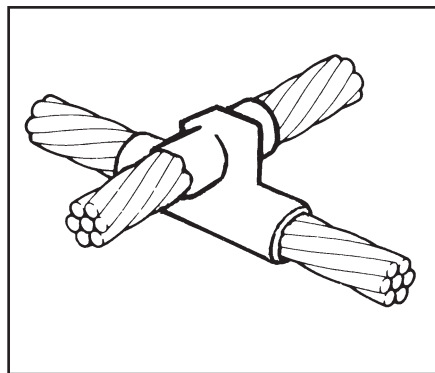
CC4 Page G10



CC6 Page G11



CC7 Pages G12-G14

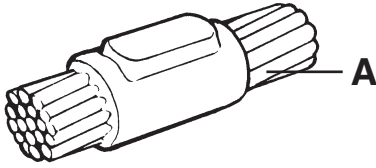


CC11 Pages G15

The above represents our standard range. Other types can be produced to order.

# Furseweld®

## Cable to Cable



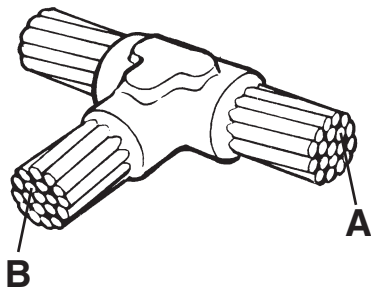
- Stranded Conductor
- Solid Circular Conductor

### CC1

Cat. No.	Wire Size (A)	Welding Powder Size	Handle Clamp Type	Sleeve	Std. Ctn.
CC1-3-#3	3	32RTB	HCPK3	-	1
CC1-3-#2	2	32RTB	HCPK3	-	1
CC1-3-#2S	2 solid	32RTB	HCPK3	-	1
CC1-3-#1	1	32RTB	HCPK3	-	1
CC1-3-#1S	1 solid	32RTB	HCPK3	-	1
CC1-4-1/0	1/0	45RTB	HCPK4	-	1
CC1-4-1/0S	1/0 solid	45RTB	HCPK4	-	1
CC1-4-2/0	2/0	65RTB	HCPK4	-	1
CC1-4-3/0	3/0	90RTB	HCPK4	-	1
CC1-4-4/0	4/0	90RTB	HCPK4	-	1
CC1-4-4/0S	4/0 solid	90RTB	HCPK4	-	1
CC1-4-250K	250	115RTB	HCPK4	-	1
CC1-4-300K	300	115RTB	HCPK4	-	1
CC1-4-350K	350	150RTB	HCPK4	-	1
CC1-4-500K	500	200RTB	HCPK4	-	1
CC1-5-750K	750	2 X 150RTB	HCPK5	-	1
CC1-5-1000K	1000	2 X 200RTB	HCPK5	-	1

# Furseweld®

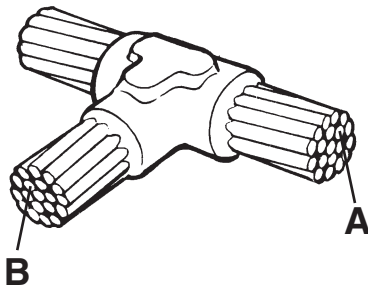
## Cable to Cable



- Stranded Conductor
- Solid Circular Conductor

### CC2

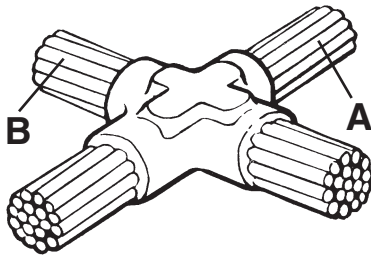
Cat. No.	Wire Size (A)	Wire Size (B)	Welding Powder Size	Handle Clamp Type	Sleeve	Std. Ctn.
CC2-4-#4#4	4	4	32RTB	HCPK4	-	1
CC2-4-#2S#2	2 solid	2	45RTB	HCPK4	-	1
CC2-4-#2S#2S		2 solid	45RTB	HCPK4	-	1
CC2-4-#2S#4		4	45RTB	HCPK4	-	1
CC2-4-#2#2	2	2	45RTB	HCPK4	-	1
CC2-4-#2#2S		2 solid	45RTB	HCPK4	-	1
CC2-4-#2#4		4	45RTB	HCPK4	-	1
CC2-4-#1#1	1	1	45RTB	HCPK4	-	1
CC2-4-#1#2		2	45RTB	HCPK4	-	1
CC2-4-#1#2S		2 solid	45RTB	HCPK4	-	1
CC2-4-#1#4		4	45RTB	HCPK4	-	1
CC2-4-1/0#1/0	1/0	1/0	90RTB	HCPK4	-	1
CC2-4-1/0#1		1	45RTB	HCPK4	-	1
CC2-4-1/0#2		2	45RTB	HCPK4	-	1
CC2-4-1/0#2S		2 solid	45RTB	HCPK4	-	1
CC2-4-1/0#4		4	45RTB	HCPK4	-	1
CC2-4-2/0#2/0	2/0	2/0	90RTB	HCPK4	-	1
CC2-4-2/0#1/0		1/0	90RTB	HCPK4	-	1
CC2-4-2/0#1		1	45RTB	HCPK4	-	1
CC2-4-2/0#2		2	45RTB	HCPK4	-	1
CC2-4-2/0#2S		2 solid	45RTB	HCPK4	-	1
CC2-4-2/0#4		4	45RTB	HCPK4	-	1
CC2-4-3/0#3/0	3/0	3/0	115RTB	HCPK4	-	1
CC2-4-3/0#2/0		2/0	90RTB	HCPK4	-	1
CC2-4-3/0#1/0		1/0	90RTB	HCPK4	-	1
CC2-4-3/0#1		1	45RTB	HCPK4	-	1
CC2-4-3/0#2		2	45RTB	HCPK4	-	1
CC2-4-3/0#2S		2 solid	45RTB	HCPK4	-	1
CC2-4-3/0#4		4	45RTB	HCPK4	-	1
CC2-4-4/0#4/0	4/0	4/0	150RTB	HCPK4	-	1
CC2-4-4/0#3/0		3/0	115RTB	HCPK4	-	1
CC2-4-4/0#2/0		2/0	90RTB	HCPK4	-	1
CC2-4-4/0#1/0		1/0	90RTB	HCPK4	-	1
CC2-4-4/0#1		1	90RTB	HCPK4	-	1
CC2-4-4/0#2		2	90RTB	HCPK4	-	1
CC2-4-4/0#2S		2 solid	90RTB	HCPK4	-	1
CC2-4-4/0#4		4	90RTB	HCPK4	-	1
CC2-4-250K250K	250	250	150RTB	HCPK4	-	1
CC2-4-250K4/0		4/0	150RTB	HCPK4	-	1
CC2-4-250K4/0		3/0	150RTB	HCPK4	-	1
CC2-4-250K2/0		2/0	90RTB	HCPK4	-	1
CC2-4-250K1/0		1/0	90RTB	HCPK4	-	1
CC2-4-250K#1		1	90RTB	HCPK4	-	1
CC2-4-250K#2		2	90RTB	HCPK4	-	1
CC2-4-250K#2S		2 solid	90RTB	HCPK4	-	1
CC2-4-250K#4		4	90RTB	HCPK4	-	1



- Stranded Conductor
- Solid Circular Conductor

### CC2 – Continued

Cat. No.	Wire Size (A)	Wire Size (B)	Welding Powder Size	Handle Clamp Type	Sleeve	Std. Ctn.
CC2-4-300K300K	300	300	200RTB	HCPK4	-	1
CC2-4-300K250K		250	150RTB	HCPK4	-	1
CC2-4-300K4/0		4/0	150RTB	HCPK4	-	1
CC2-4-300K3/0		3/0	150RTB	HCPK4	-	1
CC2-4-300K2/0		2/0	90RTB	HCPK4	-	1
CC2-4-300K1/0		1/0	90RTB	HCPK4	-	1
CC2-4-300K#1		1	90RTB	HCPK4	-	1
CC2-4-300K#2		2	90RTB	HCPK4	-	1
CC2-4-300K#2S		2 solid	90RTB	HCPK4	-	1
CC2-4-300K#4		4	90RTB	HCPK4	-	1
CC2-4-350K350K	350	350	200RTB	HCPK4	-	1
CC2-4-350K300K		300	200RTB	HCPK4	-	1
CC2-4-350K250K		250	200RTB	HCPK4	-	1
CC2-4-350K4/0		4/0	150RTB	HCPK4	-	1
CC2-4-350K3/0		3/0	150RTB	HCPK4	-	1
CC2-4-350K2/0		2/0	90RTB	HCPK4	-	1
CC2-4-350K1/0		1/0	90RTB	HCPK4	-	1
CC2-4-350K#1		1	90RTB	HCPK4	-	1
CC2-4-350K#2		2	90RTB	HCPK4	-	1
CC2-4-350K#4		4	90RTB	HCPK4	-	1
CC2-4-500K500K	500	500	2 X 150RTB	HCPK4	-	1
CC2-4-500K350K		350	200RTB	HCPK4	-	1
CC2-4-500K300K		300	200RTB	HCPK4	-	1
CC2-4-500K250K		250	200RTB	HCPK4	-	1
CC2-4-500K4/0		4/0	150RTB	HCPK4	-	1
CC2-4-500K2/0		2/0	90RTB	HCPK4	-	1
CC2-4-500K1/0		1/0	90RTB	HCPK4	-	1
CC2-4-500K#1		1	90RTB	HCPK4	-	1
CC2-4-500K#2		2	90RTB	HCPK4	-	1
CC2-4-500K#4		4	90RTB	HCPK4	-	1
CC2-5-750K750K	750	750	2 X 250RTB	HCPK5	-	1
CC2-5-750K500K		500	2 X 200RTB	HCPK5	-	1
CC2-4-750K350K		350	250RTB	HCPK4	-	1
CC2-4-750K300K		300	200RTB	HCPK4	-	1
CC2-4-750K250K		250	200RTB	HCPK4	-	1
CC2-4-750K4/0		4/0	150RTB	HCPK4	-	1
CC2-4-750K2/0		2/0	150RTB	HCPK4	-	1
CC2-4-750K1/0		1/0	150RTB	HCPK4	-	1
CC2-5-1000K1000K	1000	1000	2 X 250RTB	HCPK5	-	1
CC2-5-1000K750K		750	2 X 250RTB	HCPK5	-	1
CC2-5-1000K500K		500	2 X 200RTB	HCPK5	-	1
CC2-4-1000K350K		350	250RTB	HCPK4	-	1
CC2-4-1000K300K		300	200RTB	HCPK4	-	1
CC2-4-1000K250K		250	200RTB	HCPK4	-	1
CC2-4-1000K4/0		4/0	150RTB	HCPK4	-	1
CC2-4-1000K2/0		2/0	150RTB	HCPK4	-	1
CC2-4-1000K1/0		1/0	150RTB	HCPK4	-	1



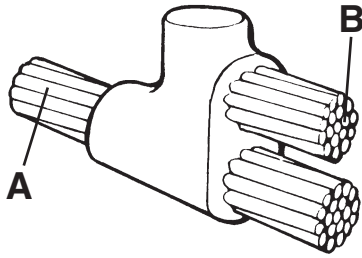
- Stranded Conductor
- Solid Circular Conductor

### CC4

Cat. No.	Wire Size (A)	Wire Size (B)	Welding Powder Size	Handle Clamp Type	Sleeve	Std. Ctn.
CC4-4-#4#4	4	4	45RTB	HCPK4	-	1
CC4-4-#2#2	2	2	65RTB	HCPK4	-	1
CC4-4-#2#4		4	65RTB	HCPK4	-	1
CC4-4-#2S#2S	2 solid	2 solid	65RTB	HCPK4	-	1
CC4-4-#1#1	1	1	65RTB	HCPK4	-	1
CC4-4-#1#2		2	65RTB	HCPK4	-	1
CC4-4-#1#4		4	65RTB	HCPK4	-	1
CC4-4-1/01/0	1/0	1/0	90RTB	HCPK4	-	1
CC4-4-1/0#1		1	90RTB	HCPK4	-	1
CC4-4-1/0#2		2	90RTB	HCPK4	-	1
CC4-4-1/0#4		4	90RTB	HCPK4	-	1
CC4-4-2/02/0	2/0	2/0	115RTB	HCPK4	-	1
CC4-4-2/01/0		1/0	115RTB	HCPK4	-	1
CC4-4-2/0#1		1	115RTB	HCPK4	-	1
CC4-4-2/0#2		2	115RTB	HCPK4	-	1
CC4-4-3/03/0	3/0	3/0	115RTB	HCPK4	-	1
CC4-4-3/02/0		2/0	150RTB	HCPK4	-	1
CC4-4-3/01/0		1/0	115RTB	HCPK4	-	1
CC4-4-3/0#1		1	115RTB	HCPK4	-	1
CC4-4-3/0#2		2	115RTB	HCPK4	-	1
CC4-4-4/04/0	4/0	4/0	200RTB	HCPK4	-	1
CC4-4-4/03/0		3/0	200RTB	HCPK4	-	1
CC4-4-4/02/0		2/0	150RTB	HCPK4	-	1
CC4-4-4/01/0		1/0	150RTB	HCPK4	-	1
CC4-4-4/0#1		1	115RTB	HCPK4	-	1
CC4-4-4/0#2		2	115RTB	HCPK4	-	1
CC4-4-250K250K	250	250	200RTB	HCPK4	-	1
CC4-4-250K4/0		4/0	200RTB	HCPK4	-	1
CC4-4-250K3/0		3/0	200RTB	HCPK4	-	1
CC4-4-250K2/0		2/0	150RTB	HCPK4	-	1
CC4-4-250K1/0		1/0	150RTB	HCPK4	-	1
CC4-4-250K#1		1	115RTB	HCPK4	-	1
CC4-4-250K#2		2	115RTB	HCPK4	-	1
CC4-4-300K300K	300	300	250RTB	HCPK4	-	1
CC4-4-300K250K		250	250RTB	HCPK4	-	1
CC4-4-300K4/0		4/0	200RTB	HCPK4	-	1
CC4-4-300K3/0		3/0	200RTB	HCPK4	-	1
CC4-4-300K2/0		2/0	150RTB	HCPK4	-	1
CC4-4-300K1/0		1/0	150RTB	HCPK4	-	1
CC4-4-300K#1		1	115RTB	HCPK4	-	1
CC4-4-300K#2		2	115RTB	HCPK4	-	1
CC4-4-350K350K	350	350	250RTB	HCPK4	-	1
CC4-4-350K300K		300	250RTB	HCPK4	-	1
CC4-4-4350K250K		250	250RTB	HCPK4	-	1
CC4-4-350K4/0		4/0	200RTB	HCPK4	-	1
CC4-4-350K3/0		3/0	200RTB	HCPK4	-	1
CC4-350K2/0		2/0	200RTB	HCPK4	-	1
CC4-4-350K1/0	350	1/0	200RTB	HCPK4	-	1
CC4-4-350K#1		1	150RTB	HCPK4	-	1
CC4-4-350K#2		2	150RTB	HCPK4	-	1
CC4-5-500K500K	500	500	2 X 250RTB	HCPK5	-	1
CC4-5-500K350K		350	2 X 200RTB	HCPK5	-	1
CC4-5-500K300K		300	2 X 200RTB	HCPK5	-	1
CC4-5-500K250K		250	2 X 150RTB	HCPK5	-	1
CC4-5-500K4/0		4/0	2 X 150RTB	HCPK5	-	1
CC4-5-500K3/0		3/0	2 X 150RTB	HCPK5	-	1
CC4-4-500K2/0		2/0	250RTB	HCPK4	-	1
CC4-4-500K1/0		1/0	250RTB	HCPK4	-	14

# Furseweld®

## Cable to Cable



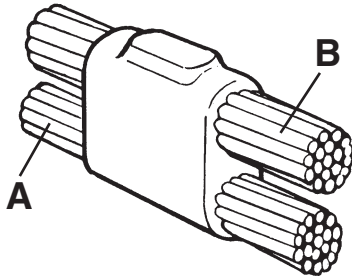
- Stranded Conductor
- Solid Circular Conductor

### CC6

Cat. No.	Wire Size (A)	Wire Size (B)	Welding Powder Size	Handle Clamp Type	Sleeve	Std. Ctn.
CC6-4-#4#4	4	4	45RTB	HCPK4	-	1
CC6-4-#2#2	2	2	65RTB	HCPK4	-	1
CC6-4-#2#4		4	65RTB	HCPK4	-	1
CC6-4-#2S#2S	2 solid	2 solid	65RTB	HCPK4	-	
CC6-4-#1#1	1	1	65RTB	HCPK4	-	
CC6-4-#1#2		2	65RTB	HCPK4	-	1
CC6-4-#1#4		4	65RTB	HCPK4	-	1
CC6-4-1/0#1/0	1/0	1/0	90RTB	HCPK4	-	1
CC6-4-1/0#1		1	90RTB	HCPK4	-	1
CC6-4-1/0#2		2	90RTB	HCPK4	-	1
CC6-4-1/0#4		4	90RTB	HCPK4	-	1
CC6-4-2/0#2/0	2/0	2/0	115RTB	HCPK4	-	1
CC6-42/0#1/0		1/0	115RTB	HCPK4	-	1
CC6-4-2/0#1		1	115RTB	HCPK4	-	1
CC6-4-2/0#2		2	115RTB	HCPK4	-	1
CC6-4-3/0#3/0	3/0	3/0	115RTB	HCPK4	-	1
CC6-4-3/0#2/0		2/0	150RTB	HCPK4	-	1
CC6-4-3/0#1/0		1/0	115RTB	HCPK4	-	1
CC6-4-3/0#1		1	115RTB	HCPK4	-	1
CC6-4-3/0#2		2	115RTB	HCPK4	-	1
CC6-4-4/0#4/0	4/0	4/0	200RTB	HCPK4	-	1
CC6-4-4/0#3/0		3/0	200RTB	HCPK4	-	1
CC6-4-4/0#2/0		2/0	150RTB	HCPK4	-	1
CC6-4-4/0#1/0		1/0	150RTB	HCPK4	-	1
CC6-4-4/0#1		1	115RTB	HCPK4	-	1
CC6-4-4/0#2		2	115RTB	HCPK4	-	1
CC6-4-250K250K	250	250	200RTB	HCPK4	-	1
CC6-4-250K4/0		4/0	200RTB	HCPK4	-	1
CC6-4-250K3/0		3/0	200RTB	HCPK4	-	1
CC6-4-250K2/0		2/0	150RTB	HCPK4	-	1
CC6-4-250K1/0		1/0	150RTB	HCPK4	-	1
CC6-4-250K#1		1	115RTB	HCPK4	-	1
CC6-4-250K#2		2	115RTB	HCPK4	-	1
CC6-4-300K300K	300	300	250RTB	HCPK4	-	1
CC6-4-300K250K		250	250RTB	HCPK4	-	1
CC6-4-300K4/0		4/0	200RTB	HCPK4	-	1
CC6-4-300K3/0		3/0	200RTB	HCPK4	-	1
CC6-4-300K2/0		2/0	150RTB	HCPK4	-	1
CC6-4-300K1/0		1/0	150RTB	HCPK4	-	1
CC6-4300K#1		1	115RTB	HCPK4	-	1
CC6-4-300K#2		2	115RTB	HCPK4	-	1
CC6-4-350K350K	350	350	250RTB	HCPK4	-	1
CC6-4-350K300K		300	250RTB	HCPK4	-	1
CC6-4-4350K250K		250	250RTB	HCPK4	-	1
CC6-4-350K4/0		4/0	200RTB	HCPK4	-	1
CC6-4-350K3/0		3/0	200RTB	HCPK4	-	1
CC6-4-350K2/0		2/0	200RTB	HCPK4	-	1

# Furseweld®

## Cable to Cable



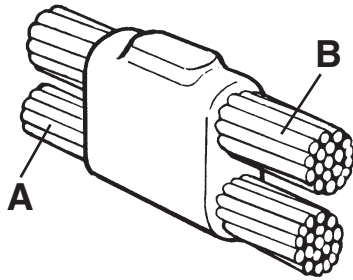
- Stranded Conductor
- Solid Circular Conductor

### CC7

Cat. No.	Wire Size (A)	Wire Size (B)	Welding Powder Size	Handle Clamp Type	Sleeve	Std. Ctn.
CC7-4-#4#4	4	4	32RTB	HCPK4	-	1
CC7-4-#4#6		6	32RTB	HCPK4	2 X SLEEVE#6	1
CC7-4-#4#6S		6 solid	32RTB	HCPK4	2 X SLEEVE#6S	1
CC7-4-#4#8		8	32RTB	HCPK4	2 X SLEEVE#8	1
CC7-4-#2S#2	2 solid	2	65RTB	HCPK4	-	1
CC7-4-#2S#2S		2 solid	65RTB	HCPK4	-	1
CC7-4-#2S#4		4	65RTB	HCPK4	-	1
CC7-4-#2S#6		6	45RTB	HCPK4	2 X SLEEVE#6	1
CC7-4-#2S#6S		6 solid	45RTB	HCPK4	2 X SLEEVE#6S	1
CC7-4-#2S#8		8	45RTB	HCPK4	2 X SLEEVE#8	1
CC7-4-#2S#8S		8 solid	45RTB	HCPK4	2 X SLEEVE#8S	1
CC7-4-#2#2	2	2	65RTB	HCPK4	-	1
CC7-4-#2#4		4	65RTB	HCPK4	-	1
CC7-4-#2#6		6	45RTB	HCPK4	2 X SLEEVE#6	1
CC7-4-#2#6S		6 solid	45RTB	HCPK4	2 X SLEEVE#6S	1
CC7-4-#2#8		8	45RTB	HCPK4	2 X SLEEVE#8	1
CC7-4-#2#8S		8 solid	45RTB	HCPK4	2 X SLEEVE#8S	1
CC7-4-#1S#1	1 solid	1	65RTB	HCPK4	-	1
CC7-4-#1S#2		2	65RTB	HCPK4	-	1
CC7-4-#1S#2S		2 solid	65RTB	HCPK4	-	1
CC7-4-#1S#4		4	65RTB	HCPK4	-	1
CC7-4-#1S#6		6	65RTB	HCPK4	2 X SLEEVE#6	1
CC7-4-#1S#6S		6 solid	65RTB	HCPK4	2 X SLEEVE#6S	1
CC7-4-#1S#8		8	45RTB	HCPK4	2 X SLEEVE#8	1
CC7-4-#1S#8S		8 solid	45RTB	HCPK4	2 X SLEEVE#8S	1
CC7-4-#1#1	1	1	65RTB	HCPK4	-	1
CC7-4-#1#1S		1 solid	65RTB	HCPK4	-	1
CC7-4-#1#2		2	65RTB	HCPK4	-	1
CC7-4-#1#2S		2 solid	65RTB	HCPK4	-	1
CC7-4-#1#4		4	65RTB	HCPK4	-	1
CC7-4-#1#6		6	65RTB	HCPK4	2 X SLEEVE#6	1
CC7-4-#1#6S		6 solid	65RTB	HCPK4	2 X SLEEVE#6S	1
CC7-4-#1#8		8	45RTB	HCPK4	2 X SLEEVE#8	1
CC7-4-#1#8S		8 solid	45RTB	HCPK4	2 X SLEEVE#8S	1
CC7-4-1/0S1/0	1/0 solid	1/0	90RTB	HCPK4	-	1
CC7-4-1/0S1/0S		1/0 solid	90RTB	HCPK4	-	1
CC7-4-1/0S#1		1	65RTB	HCPK4	-	1
CC7-4-1/0S#1S		1 solid	65RTB	HCPK4	-	1
CC7-4-1/0S#2		2	65RTB	HCPK4	-	1
CC7-4-1/0S#2S		2 solid	65RTB	HCPK4	-	1
CC7-4-1/0S#4		4	65RTB	HCPK4	-	1
CC7-4-1/0S#6		6	65RTB	HCPK4	2 X SLEEVE#6	1
CC7-4-1/0S#6S		6 solid	65RTB	HCPK4	2 X SLEEVE#6S	1
CC7-4-1/0S#8		8	65RTB	HCPK4	2 X SLEEVE#8	1
CC7-4-1/0S#8S		8 solid	65RTB	HCPK4	2 X SLEEVE#8S	1
CC7-4-1/01/0	1/0	1/0	90RTB	HCPK4	-	1
CC7-4-1/01/0S		1/0 solid	90RTB	HCPK4	-	1

# Furseweld®

## Cable to Cable



- Stranded Conductor
- Solid Circular Conductor

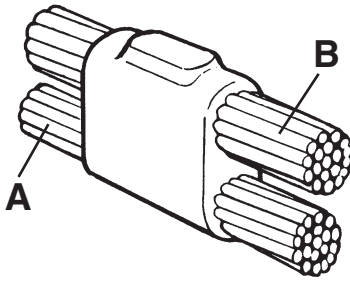
### CC7 – Continued

Cat. No.	Wire Size (A)	Wire Size (B)	Welding Powder Size	Handle Clamp Type	Sleeve	Std. Ctn.
CC7-4-1/0#1	1/0	1	65RTB	HCPK4	-	1
CC7-4-1/0#1S		1 solid	65RTB	HCPK4	-	1
CC7-4-1/0#2		2	65RTB	HCPK4	-	1
CC7-4-1/0#2S		2 solid	65RTB	HCPK4	-	1
CC7-4-1/0#4		4	65RTB	HCPK4	-	1
CC7-4-1/0#6		6	65RTB	HCPK4	2 X SLEEVE#6	1
CC7-4-1/0#6S		6 solid	65RTB	HCPK4	2 X SLEEVE#6S	1
CC7-4-1/0#8		8	65RTB	HCPK4	2 X SLEEVE#8	1
CC7-4-1/0#8S		8 solid	65RTB	HCPK4	2 X SLEEVE#8S	1
CC7-4-2/0#2/0	2/0	2/0	115RTB	HCPK4	-	1
CC7-4-2/0#1/0		1/0	115RTB	HCPK4	-	1
CC7-4-2/0#1/0S		1/0 solid	115RTB	HCPK4	-	1
CC7-4-2/0#1		1	90RTB	HCPK4	-	1
CC7-4-2/0#1S		1 solid	90RTB	HCPK4	-	1
CC7-4-2/0#2		2	90RTB	HCPK4	-	1
CC7-4-2/0#4		4	90RTB	HCPK4	-	1
CC7-4-2/0#6		6	90RTB	HCPK4	2 X SLEEVE#6	1
CC7-4-2/0#6S		6 solid	90RTB	HCPK4	2 X SLEEVE#6S	1
CC7-4-2/0#8		8	65RTB	HCPK4	2 X SLEEVE#8	1
CC7-4-2/0#8S		8 solid	65RTB	HCPK4	2 X SLEEVE#8S	1
CC7-4-3/0#3/0	3/0	3/0	150RTB	HCPK4	-	1
CC7-4-3/0#2/0		2/0	150RTB	HCPK4	-	1
CC7-4-3/0#1/0		1/0	115RTB	HCPK4	-	1
CC7-4-3/0#1/0S		1/0 solid	115RTB	HCPK4	-	1
CC7-4-3/0#1		1	115RTB	HCPK4	-	1
CC7-4-3/0#1S		1 solid	115RTB	HCPK4	-	1
CC7-4-3/0#2		2	115RTB	HCPK4	-	1
CC7-4-3/0#2S		2 solid	115RTB	HCPK4	-	1
CC7-4-3/0#4		4	115RTB	HCPK4	-	1
CC7-4-3/0#6		6	90RTB	HCPK4	2 X SLEEVE#6	1
CC7-4-3/0#6S		6 solid	90RTB	HCPK4	2 X SLEEVE#6S	1
CC7-4-3/0#8		8	90RTB	HCPK4	2 X SLEEVE#8	1
CC7-4-3/0#8S		8 solid	90RTB	HCPK4	2 X SLEEVE#8S	1
CC7-4-4/0S#4/0	4/0 solid	4/0	200RTB	HCPK4	-	1
CC7-4-4/0S#4/0S		4/0 solid	200RTB	HCPK4	-	1
CC7-4-4/0S#3/0		3/0	200RTB	HCPK4	-	1
CC7-4-4/0S#2/0		2/0	150RTB	HCPK4	-	1
CC7-4-4/0S#1/0		1/0	150RTB	HCPK4	-	1
CC7-4-4/0S#1/0S		1/0 solid	150RTB	HCPK4	-	1
CC7-4-4/0S#1		1	150RTB	HCPK4	-	1
CC7-4-4/0S#1S		1 solid	150RTB	HCPK4	-	1
CC7-4-4/0S#2		2	150RTB	HCPK4	-	1
CC7-4-4/0S#2S		2 solid	150RTB	HCPK4	-	1
CC7-4-4/0S#4		4	150RTB	HCPK4	-	1
CC7-4-4/0S#6		6	90RTB	HCPK4	2 X SLEEVE#6	1
CC7-4-4/0S#6S		6 solid	90RTB	HCPK4	2 X SLEEVE#6S	1
CC7-4-4/0S#8		8	90RTB	HCPK4	2 X SLEEVE#8	1
CC7-4-4/0S#8S		8 solid	90RTB	HCPK4	2 X SLEEVE#8S	1



# Furseweld®

## Cable to Cable



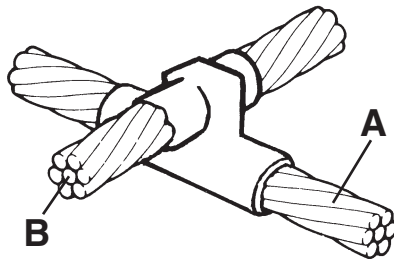
- Stranded Conductor
- Solid Circular Conductor

### CC7 – Continued

Cat. No.	Wire Size (A)	Wire Size (B)	Welding Powder Size	Handle Clamp Type	Sleeve	Std. Ctn.
CC7-4-4/04/0	4/0	4/0	200RTB	HCPK4	-	1
CC7-4-4/04/0S		4/0 solid	200RTB	HCPK4	-	1
CC7-4-4/03/0		3/0	200RTB	HCPK4	-	1
CC7-4-4/02/0		2/0	150RTB	HCPK4	-	1
CC7-4-4/01/0		1/0	150RTB	HCPK4	-	1
CC7-4-4/01/0S		1/0 solid	150RTB	HCPK4	-	1
CC7-4-4/0#1		1	150RTB	HCPK4	-	1
CC7-4-4/0#1S		1 solid	150RTB	HCPK4	-	1
CC7-4-4/0#2		2	150RTB	HCPK4	-	1
CC7-4-4/0#2S		2 solid	150RTB	HCPK4	-	1
CC7-4-4/0#4		4	150RTB	HCPK4	-	1
CC7-4-4/0#6		6	90RTB	HCPK4	2 X SLEEVE#6	1
CC7-4-4/0#6S		6 solid	90RTB	HCPK4	2 X SLEEVE#6S	1
CC7-4-4/0#8		8	90RTB	HCPK4	2 X SLEEVE#8	1
CC7-4-4/0#8S		8 solid	90RTB	HCPK4	2 X SLEEVE#8S	1

# Furseweld®

## Cable to Cable



- Stranded Conductor
- Solid Circular Conductor

### CC11

Cat. No.	Wire Size (A)	Wire Size (B)	Welding Powder Size	Handle Clamp Type	Sleeve	Std. Ctn.
CC11-7-#6S#6S	6 solid	6 solid	32RTB	HCPK7	4 X SLEEVE#6S	1
CC11-7-#6#6	6	6	45RTB	HCPK7	4 X SLEEVE#6	1
CC11-7-#4#4	4	4	65RTB	HCPK7	-	1
CC11-7-#2#2	2	2	90RTB	HCPK7	-	1
CC11-7-#2#4		4	65RTB	HCPK7	-	1
CC11-7-#2S#2S	2 solid	2 solid	90RTB	HCPK7	-	1
CC11-7-#1#1	1	1	115RTB	HCPK7	-	1
CC11-7-#1#2		2	90RTB	HCPK7	-	1
CC11-7-#1#4		4	90RTB	HCPK7	-	1
CC11-7-1/01/0	1/0	1/0	150RTB	HCPK7	-	1
CC11-7-1/0#1		1	150RTB	HCPK7	-	1
CC11-7-1/0#2		2	115RTB	HCPK7	-	1
CC11-7-1/0#4		4	115RTB	HCPK7	-	1
CC11-7-2/02/0	2/0	2/0	200RTB	HCPK7	-	1
CC11-7-2/01/0		1/0	200RTB	HCPK7	-	1
CC11-7-2/0#1		1	150RTB	HCPK7	-	1
CC11-7-2/0#2		2	150RTB	HCPK7	-	1
CC11-7-3/03/0	3/0	3/0	250RTB	HCPK7	-	1
CC11-7-3/02/0		2/0	200RTB	HCPK7	-	1
CC11-7-3/01/0		1/0	200RTB	HCPK7	-	1
CC11-7-3/0#1		1	150RTB	HCPK7	-	1
CC11-7-3/0#2		2	150RTB	HCPK7	-	1
CC11-7-4/04/0	4/0	4/0	250RTB	HCPK7	-	1
CC11-7-4/03/0		3/0	250RTB	HCPK7	-	1
CC11-7-4/02/0		2/0	200RTB	HCPK7	-	1
CC11-7-4/01/0		1/0	200RTB	HCPK7	-	1
CC11-7-4/0#1		1	150RTB	HCPK7	-	1
CC11-7-4/0#2		2	150RTB	HCPK7	-	1
CC11-7-250K250K	250	250	2 X 150RTB	HCPK7	-	1
CC11-7-250K4/0		4/0	2 X 150RTB	HCPK7	-	1
CC11-7-250K3/0		3/0	2 X 150RTB	HCPK7	-	1
CC11-7-250K2/0		2/0	250RTB	HCPK7	-	1
CC11-7-250K1/0		1/0	250RTB	HCPK7	-	1
CC11-7-250K#1		1	200RTB	HCPK7	-	1
CC11-7-250K#2		2	150RTB	HCPK7	-	1
CC11-8-300K300K	300	300	2 X 200RTB	HCPK8	-	1
CC11-8-300K250K		250	2 X 200RTB	HCPK8	-	1
CC11-7-300K4/0		4/0	2 X 150RTB	HCPK7	-	1
CC11-7-300K3/0		3/0	2 X 150RTB	HCPK7	-	1
CC11-7-300K2/0		2/0	250RTB	HCPK7	-	1
CC11-7-300K1/0		1/0	250RTB	HCPK7	-	1
CC11-7-300K#1		1	200RTB	HCPK7	-	1
CC11-7-300K#2		2	150RTB	HCPK7	-	1
CC11-8-350K350K	350	350	2 X 250RTB	HCPK8	-	1
CC11-8-350K300K		300	2 X 250RTB	HCPK8	-	1
CC11-8-350K250K		250	2 X 250RTB	HCPK8	-	1
CC11-8-350K4/0		4/0	2 X 200RTB	HCPK8	-	1
CC11-8-350K3/0		3/0	2 X 200RTB	HCPK8	-	1
CC11-7-350K2/0		2/0	2 X 150RTB	HCPK7	-	1
CC11-7-350K1/0		1/0	250RTB	HCPK7	-	1
CC11-7-350K#1		1	200RTB	HCPK7	-	1
CC11-7-350K#2		2	200RTB	HCPK7	-	1
CC11-8-500K500K	500	500	3 X 250RTB	HCPK8	-	1
CC11-8-500K350K		350	3 X 200RTB	HCPK8	-	1
CC11-8-500K300K		300	3 X 200RTB	HCPK8	-	1
CC11-8-500K250K		250K	2 X 250RTB	HCPK8	-	1
CC11-8-500K4/0		4/0	2 X 250RTB	HCPK8	-	1
CC11-8-500K3/0		3/0	2 X 250RTB	HCPK8	-	1
CC11-8-500K2/0		2/0	2 X 200RTB	HCPK8	-	1
CC11-8-500K1/0		1/0	2 X 150RTB	HCPK8	-	1