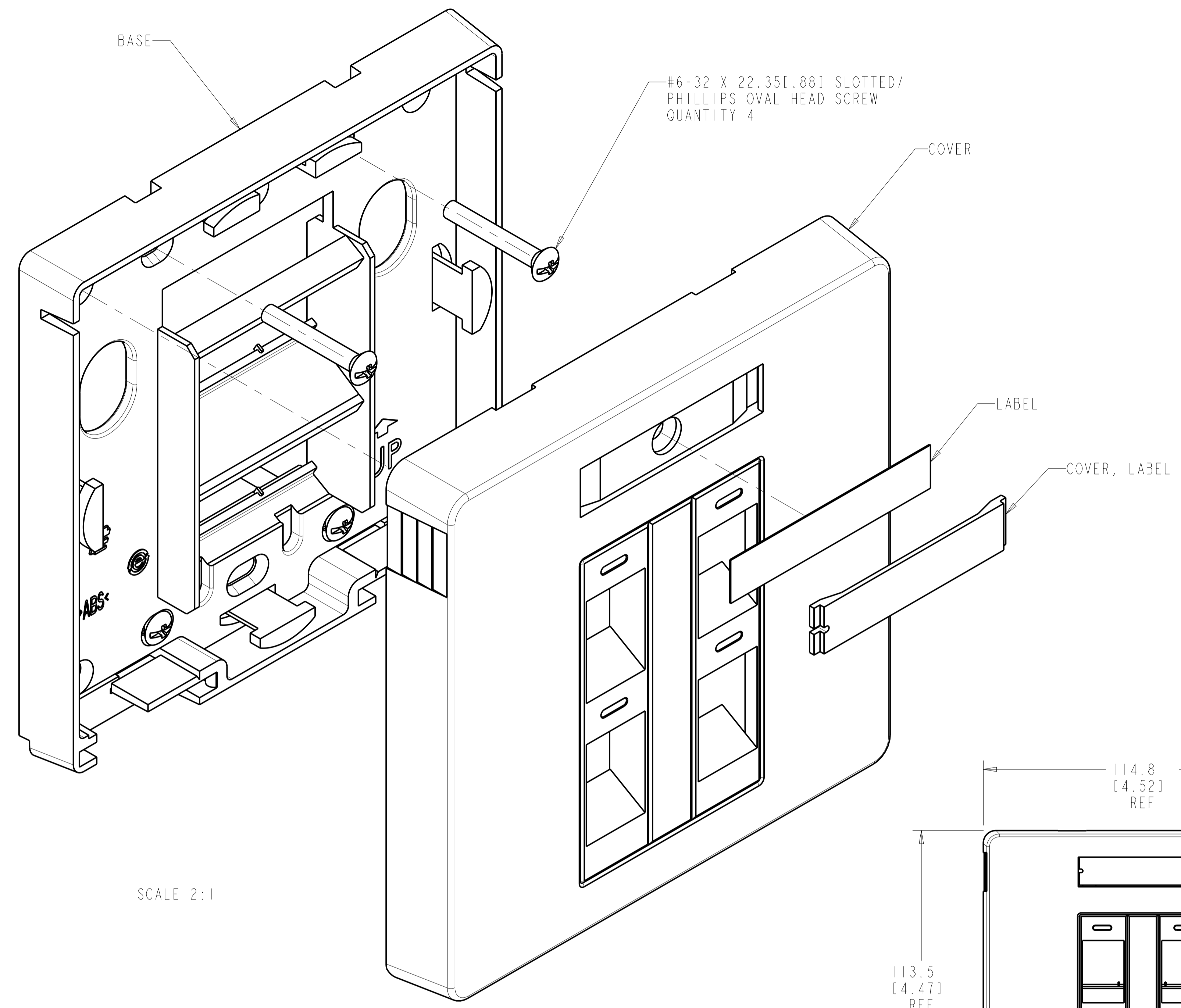
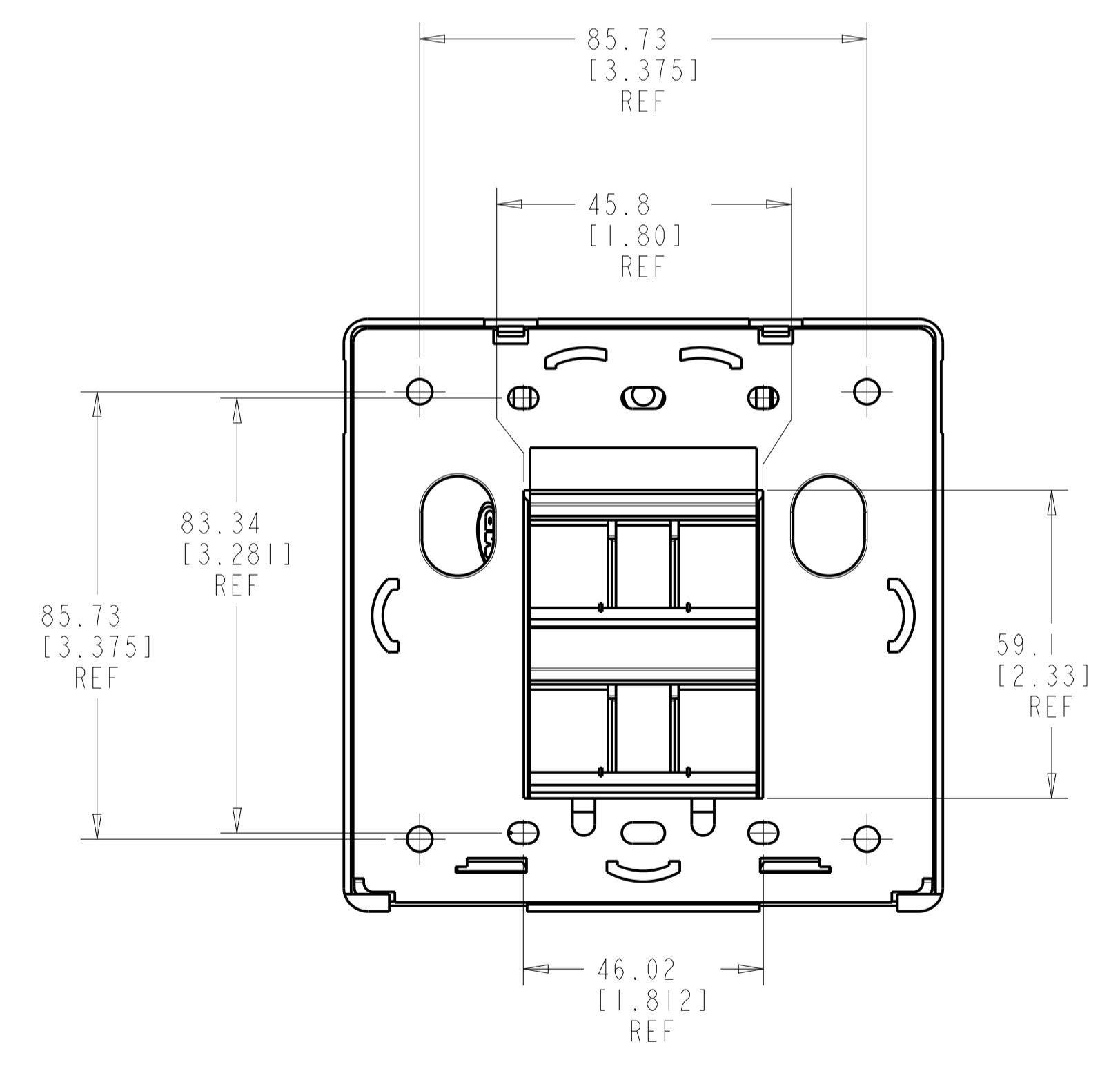
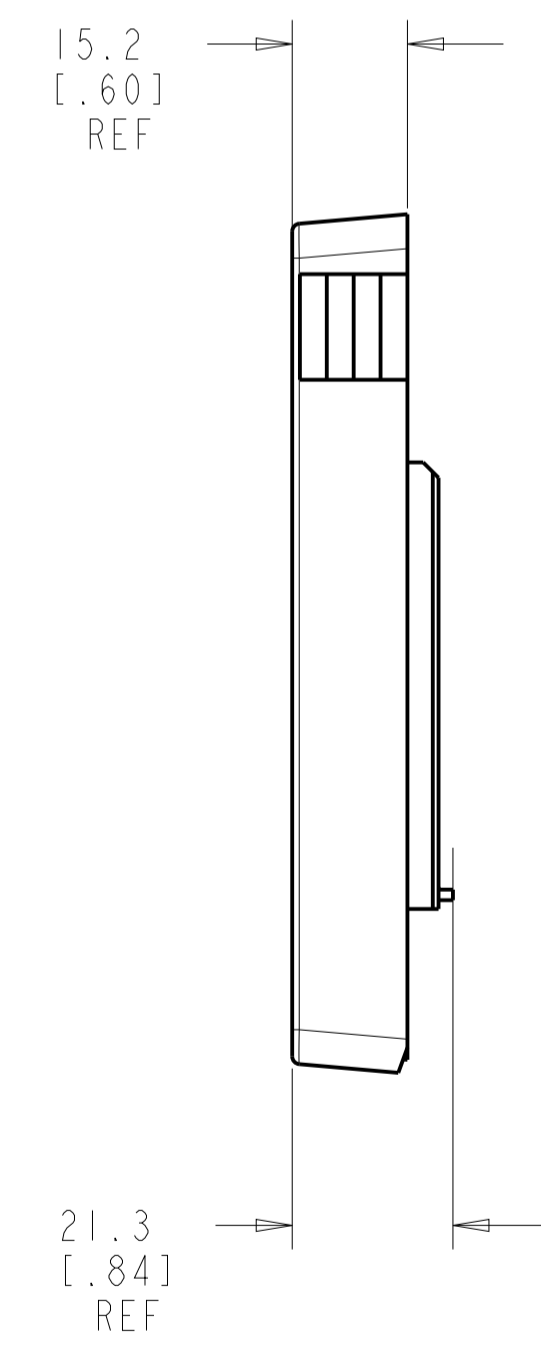
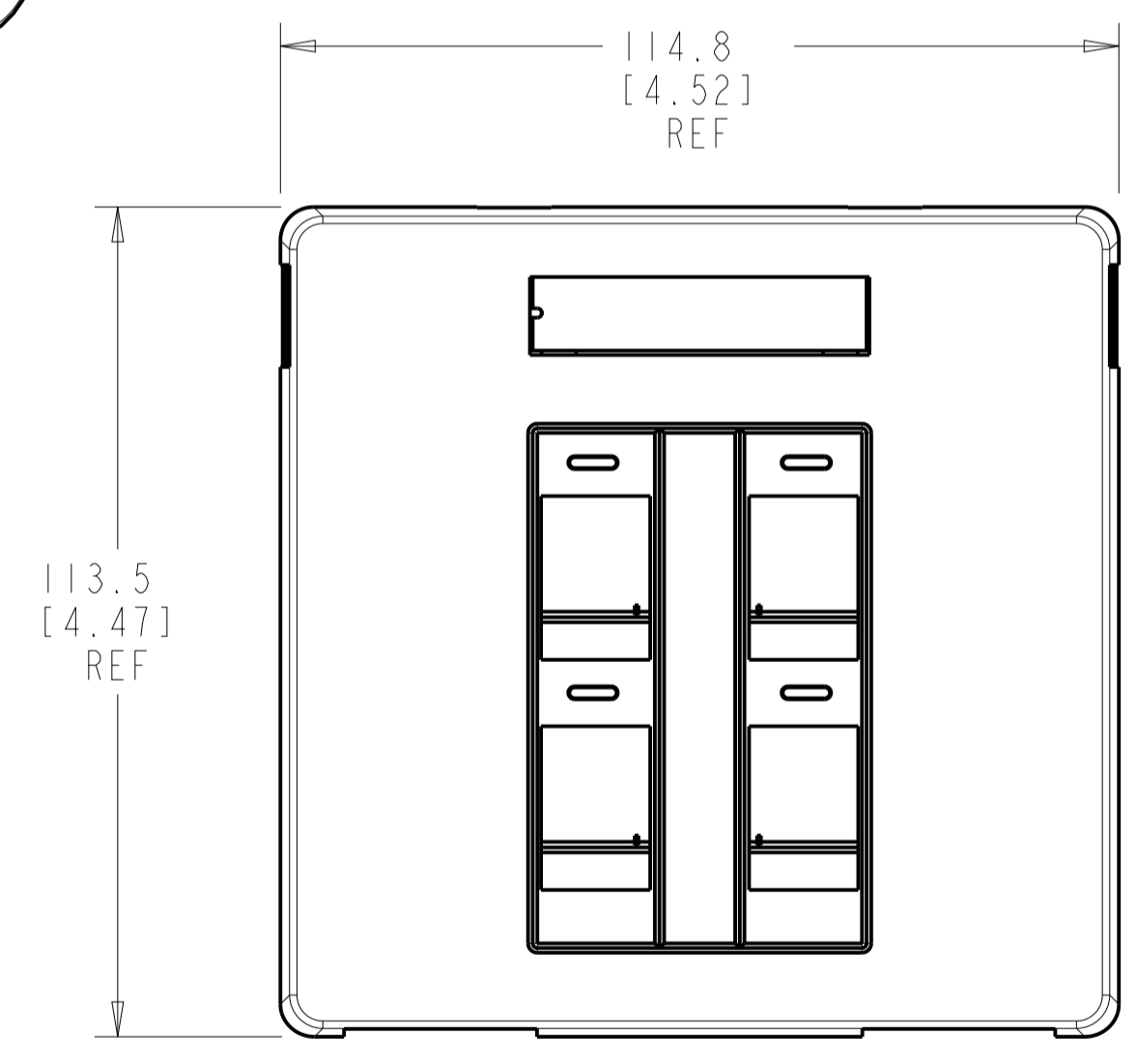


LOC		DIST		REVISIONS			
HM	00	REV	DATE	BY	CHK	APPD	
D		REV ECO-10-011451	01JUN2010	LH	RA		
E		REV; ECO-11-012256	15JUN2011	GG	RA		
F		REV; ECO-14-002243	20FEB2014	GG	RA		



1. MATERIAL: COVER AND BASE- POLYCARBONATE MOLDING COMPOUND. SEE TABLE FOR COLOR.
 LABEL COVER- POLYCARBONATE MOLDING COMPOUND, CLEAR.
 SCREWS- ZINC PLATED CARBON STEEL.
 LABEL- WHITE INDEX PAPER
2. THIS KIT SHIPPED NOT ASSEMBLED.
3. THIS KIT ACCOMODATES A STANDARD SINGLE OR DOUBLE GANG WALL BOX THAT IS 38.1 [1.50] DEEP MINIMUM.

SCALE 2:1



LIGHT ALMOND COLOR	1479946-1 PART NO.
-----------------------	-----------------------

THIS DRAWING IS A CONTROLLED DOCUMENT.		DWN J MCNEAL 03MAR2005	TE Connectivity	
DIMENSIONS: mm [INCHES]		CHK G BOWMAN 03MAR2005		
TOLERANCES UNLESS OTHERWISE SPECIFIED:		APPD G BOWMAN 03MAR2005		
0 PLC ±	1 PLC ±	PRODUCT SPEC	KIT, HIDEAWAY OUTLET, 4 PORT/2 DUPLEX FIBER, DOUBLE GANG	
2 PLC ±0.25(.01)	3 PLC ±	APPLICATION SPEC	SIZE	RESTRICTED TO
4 PLC ±	ANGLES ±	408-3383	A1	
MATERIAL	FINISH	WEIGHT	CAGE CODE	DRAWING NO.
			00779	1479946
Customer Drawing		SCALE	SHEET	REV
		1:1	1	F