

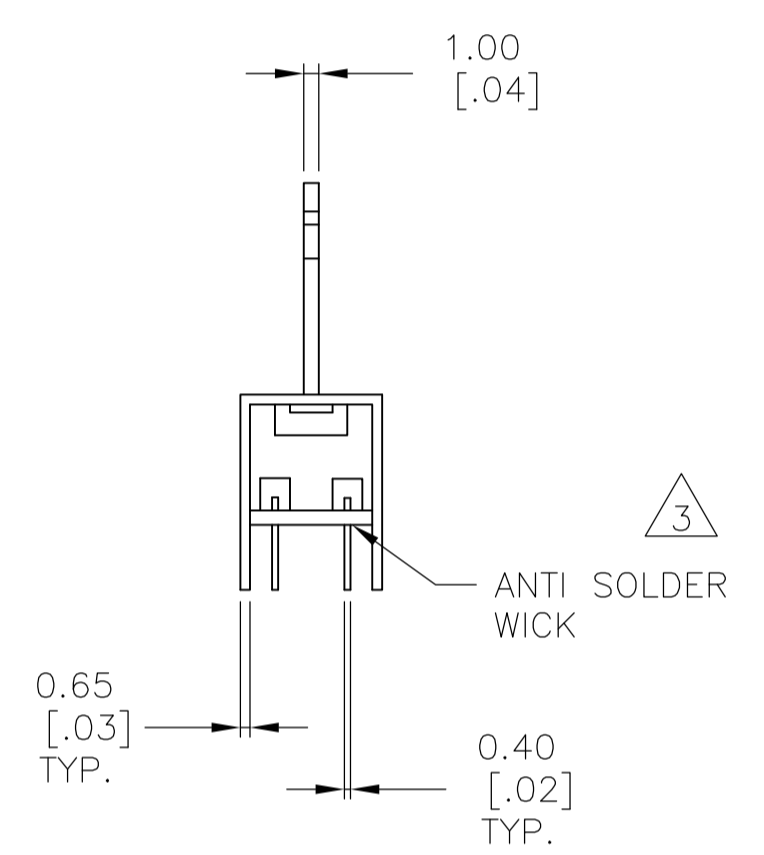
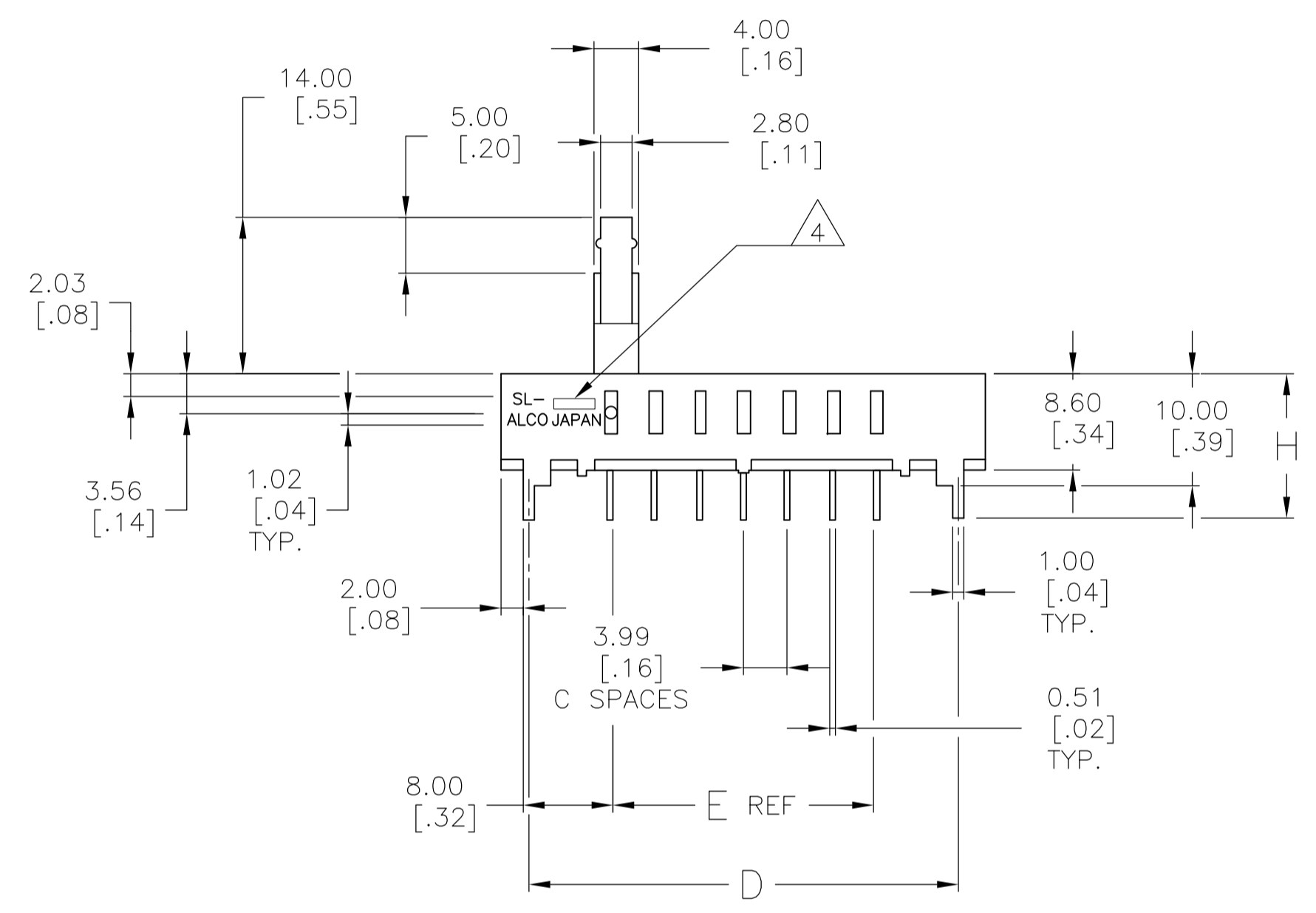
SPECIFICATIONS: BREAK-BEFORE-MAKE

MATERIALS:
 FRAME - STEEL, TIN PLATE
 ACTUATOR - STEEL, ZINC PLATE
 SLIDER - POLYCARBONATE UL94V-2, BLACK
 MOVING CONTACT - COPPER ALLOY, SILVER PLATE
 FIXED CONTACT/TERMINAL - COPPER ALLOY, SILVER PLATE
 TERMINAL BOARD - PHENOLIC UL94HB, NATURAL
 TERMINAL SEAL - EPOXY

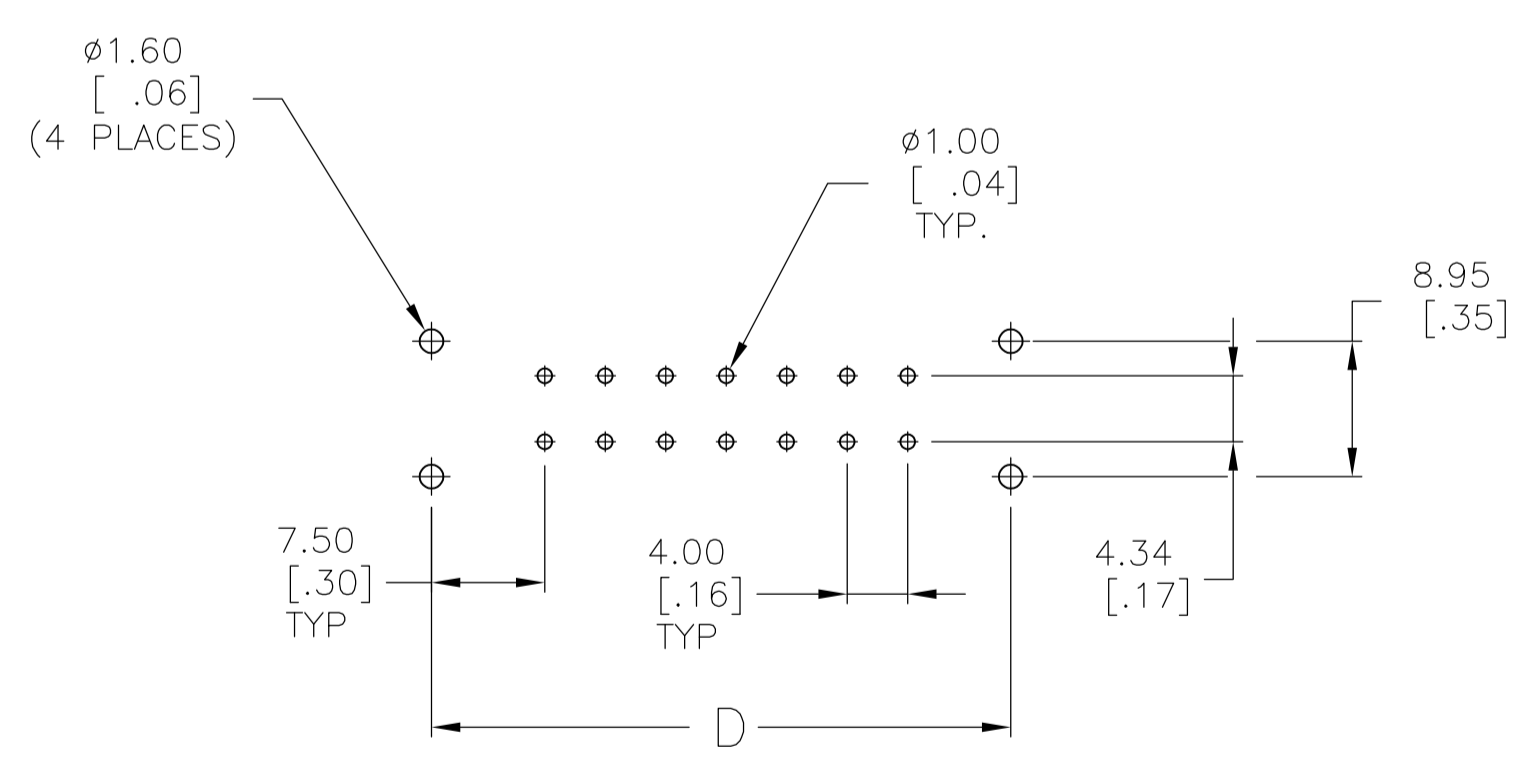
ELECTRICAL:
 CONTACT RATING - 250 MILLIAMP@125V AC, 150 MILLIAMP@12V DC
 INITIAL CONTACT RESISTANCE - 30 MILLIOHMS MAX
 INSULATION RESISTANCE - 500 MEGOHMS MIN
 DIELECTRIC STRENGTH - 500 VOLTS RMS AT SEA LEVEL
 LIFE EXPECTANCY - 10,000 CYCLES MIN, NO LOAD & 6,000 MIN AT RATED CURRENT

MECHANICAL:
 ACTUATION FORCE - 100-300 GRAMS
 TRAVEL - .157

ENVIRONMENTAL:
 OPERATING TEMPERATURE : -10 TO +60°C
 STORAGE TEMPERATURE : -10 TO +60°C
 RESISTANCE TO SOLDER HEAT - 260°C FOR 10 SEC PER 109-202, CONDITION B
 SOLDERABILITY PER EIA-364-56A, PROCEDURE 3, CONDITION B



- FOR FUNCTION DIAGRAM SEE SHEET 2 OF 2.
- ALL MATERIALS AND FINISHES SHALL COMPLY WITH EU DIRECTIVE 2002/95/EC OF 27JAN2003 (ROHS)
- ANTI SOLDER WICK SEAL (SHOW THIS AT THE TERMINAL TO BOARD INTERFACE).
- IF THE SWITCH IS FROM TAIWAN, "ALCO TWN" WILL APPEAR ON THE LEFT SIDE OF THE SWITCH REPLACING THE "ALCO JAPAN" STAMP AND THE SWITCH MODEL NO. WILL APPEAR ON THE RIGHT SIDE OF THE SWITCH.
- ALL PERFORMANCE SPECIFICATIONS WERE TESTED IN ACCORDANCE WITH JIS-C-5441 UNLESS OTHERWISE STATED.



HOLE LAYOUT

| 12.90 [.508] | 40.00 [1.575] | 36 [1.413] | 51.00 [2.020] | 9 SPACE | 51.00 [2.020] | 56.00 [2.210] | 10 POS | SL10004 | 1825073-7 |
|--------------|---------------|---------------|---------------|---------|---------------|---------------|--------|----------|-----------|
| 13.20 [.520] | 32.00 [1.260] | 28.00 [1.102] | 43.00 [1.700] | 7 SPACE | 43.00 [1.700] | 48.00 [1.890] | 8 POS | SL88004 | 1825073-6 |
| 12.90 [.508] | 28.00 [1.102] | 24.00 [.945] | 39.00 [1.540] | 6 SPACE | 39.00 [1.540] | 44.00 [1.740] | 7 POS | SL77004 | 1825073-5 |
| 12.90 [.508] | 24.00 [.945] | 20.00 [.7875] | 35.00 [1.380] | 5 SPACE | 35.00 [1.380] | 40.00 [1.580] | 6 POS | SL66004 | 1825073-4 |
| 12.90 [.508] | 20.00 [.787] | 16.00 [.630] | 31.00 [1.220] | 4 SPACE | 31.00 [1.220] | 36.00 [1.420] | 5 POS | SL55004 | 1825073-3 |
| 12.90 [.508] | 12.00 [.172] | 8.00 [.315] | 23.00 [.910] | 2 SPACE | 23.00 [.910] | 28.00 [1.110] | 3 POS | SL33004 | 1825073-2 |
| 12.90 [.508] | 8.00 [.315] | 4.00 [.1575] | 19.00 [.750] | 1 SPACE | 19.00 [.750] | 24.00 [.950] | 2 POS | SL22004 | 1825073-1 |
| DIM H | DIM F | DIM E | DIM D | DIM C | DIM B | DIM A | POS | ALCO P/N | PART NO |

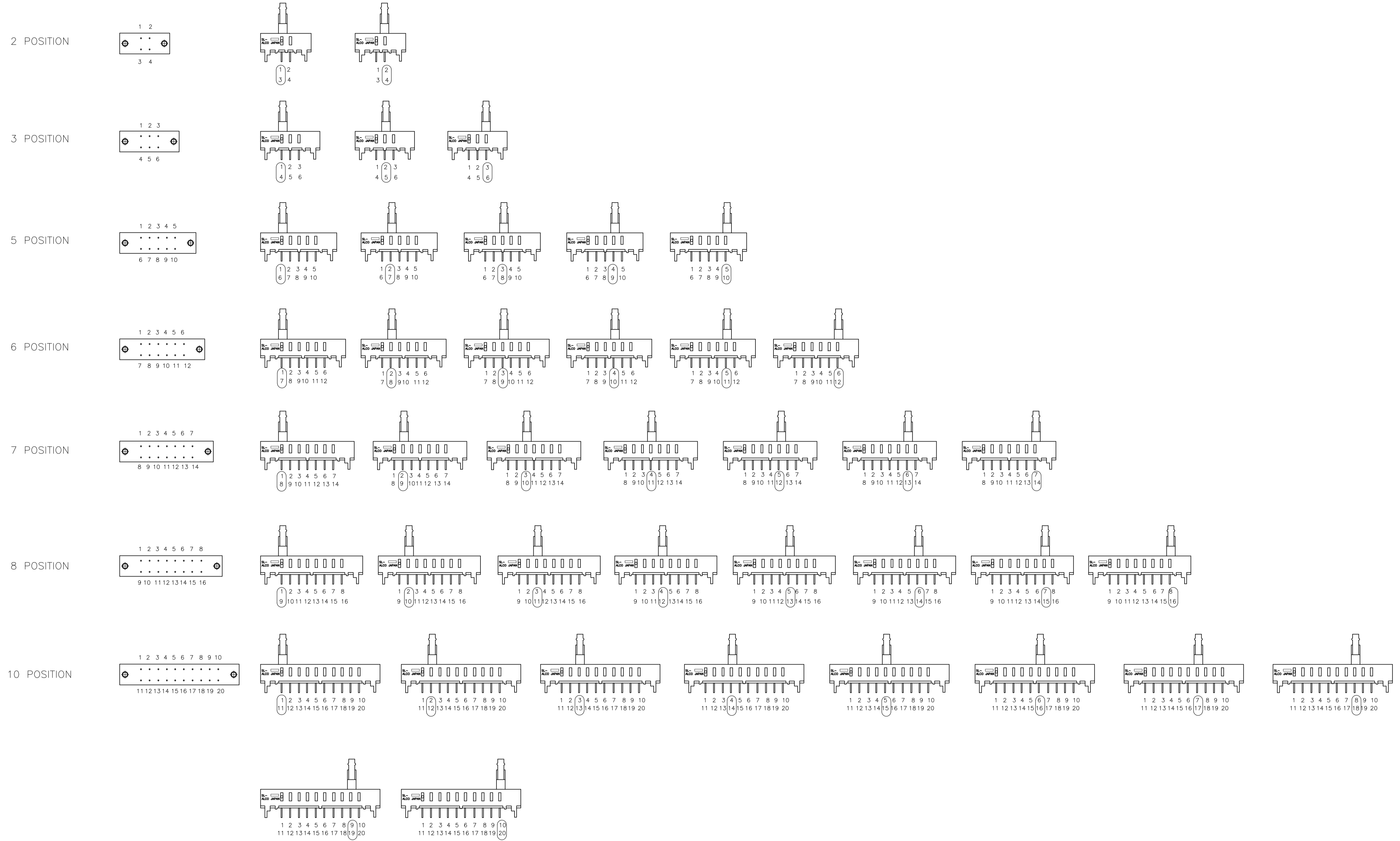
THIS DRAWING IS A CONTROLLED DOCUMENT. 17FEB05

| | | | |
|-----------------------------|--|------------------|---------|
| DIMENSIONS: mm [INCHES] | TOLERANCES UNLESS OTHERWISE SPECIFIED: | DIN BSV | 17FEB05 |
| 0 PLC ± - | 1 PLC ± - | CHK M.S.SARVER | |
| 2 PLC ± 0.25[.010] | 3 PLC ± - | NAME | |
| 4 PLC ± - | ANGLES ± - | PRODUCT SPEC | |
| MATERIAL SEE SPECIFICATIONS | FINISH SEE SPECIFICATIONS | APPLICATION SPEC | |
| | | WEIGHT | |
| | | CUSTOMER DRAWING | |

STE Connectivity
OBSELETE
 NOT the LATEST REVISION

SCALE 2:1 SHEET 1 OF 2 REV C1

OF POS. BOTTOM VIEW



| | | | | | |
|---|--|--------------------|------------|-------------------------------|--|
| THIS DRAWING IS A CONTROLLED DOCUMENT. | | DIN | BSV | 17FEB05 | TE Connectivity NAME SLIDE SWITCH, SL SERIES |
| DIMENSIONS: mm [INCHES] | | CHK | M.S.SARVER | APVD | |
| TOLERANCES UNLESS OTHERWISE SPECIFIED: | | PRODUCT SPEC | | RESTRICTED TO | |
| 0. PLC ± - 1. PLC ± - 2. PLC ± 0.25[.010] 3. PLC ± - 4. PLC ± - ANGLES ± - | | APPLICATION SPEC | | SIZE | |
| MATERIAL SEE SHEET 1 | | FINISH SEE SHEET 1 | | WEIGHT | |
| | | CUSTOMER DRAWING | | SCALE 2:1 SHEET 2 OF 2 REV C1 | |