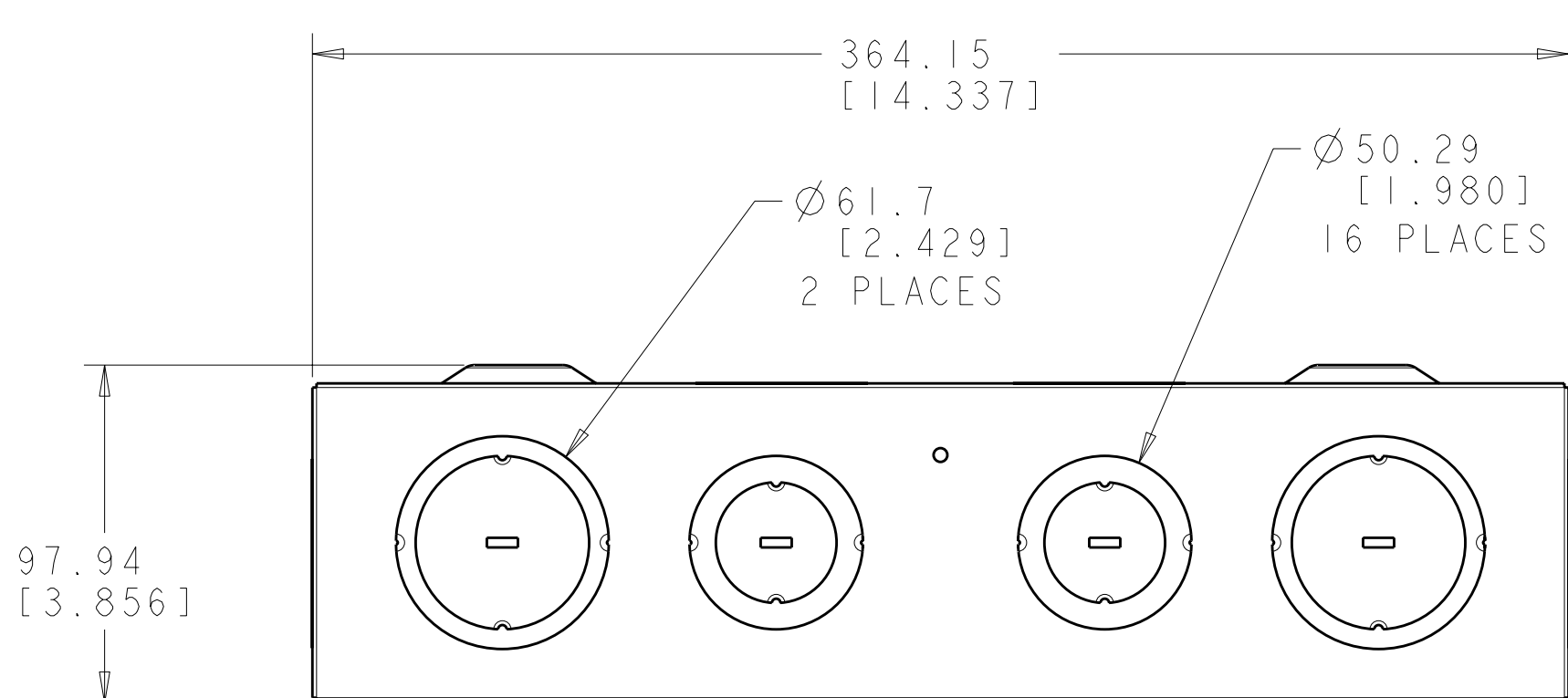
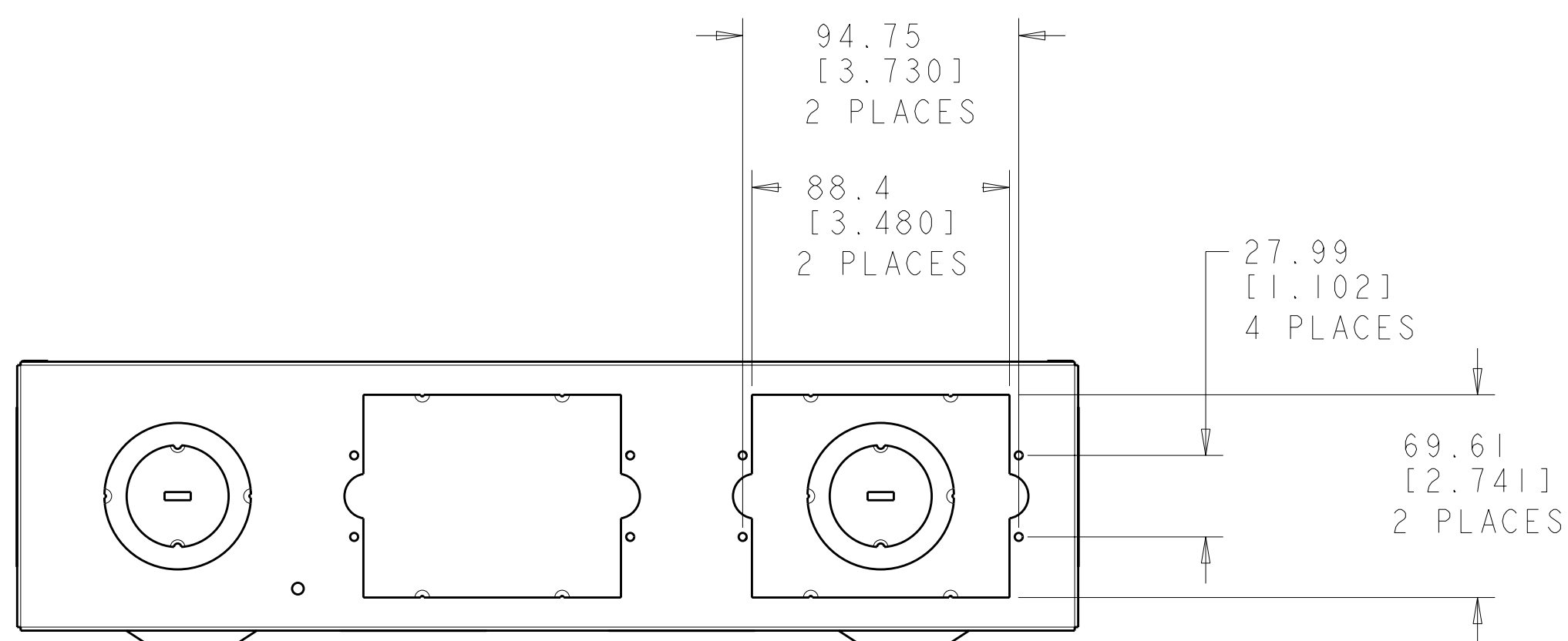
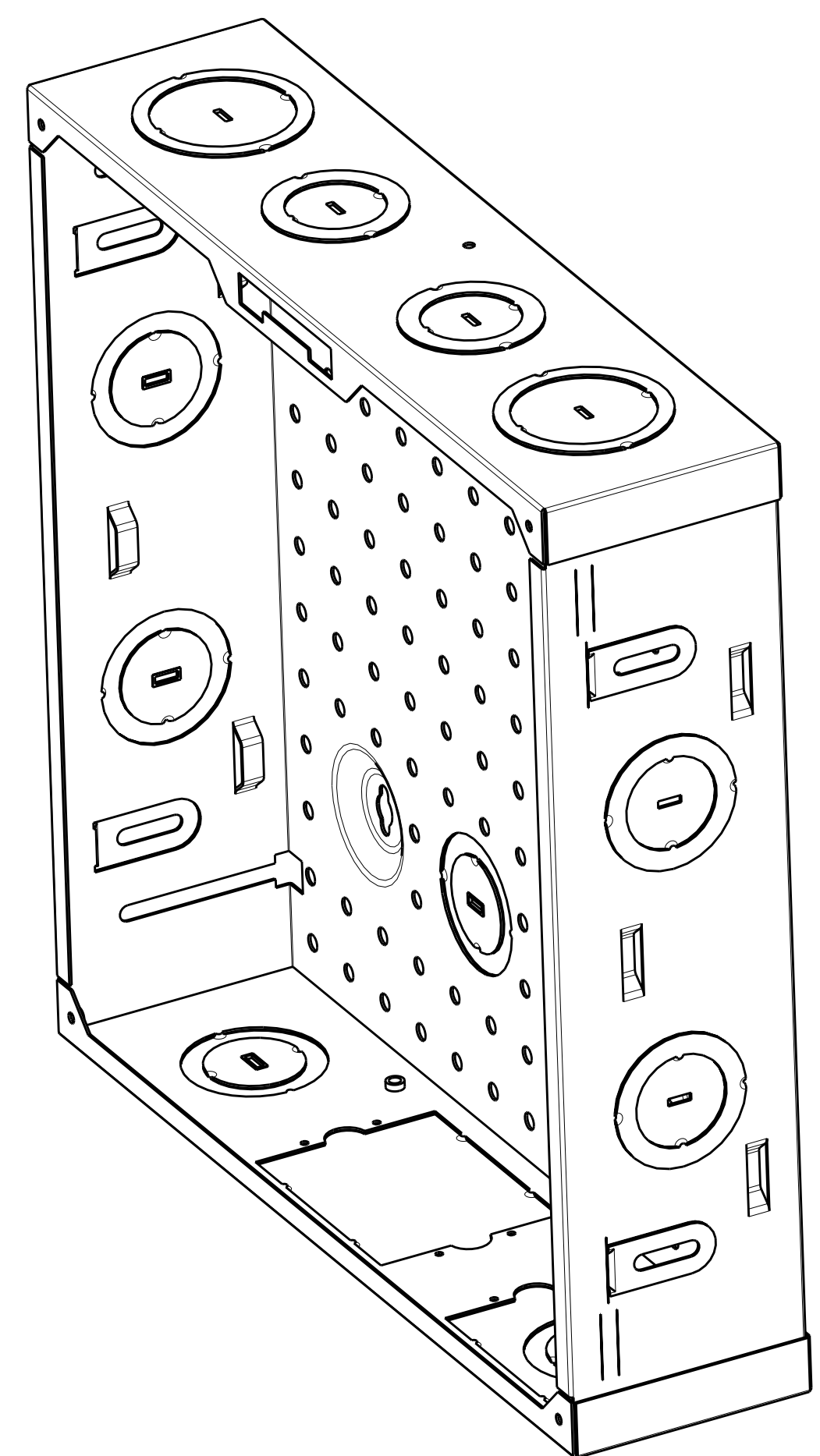
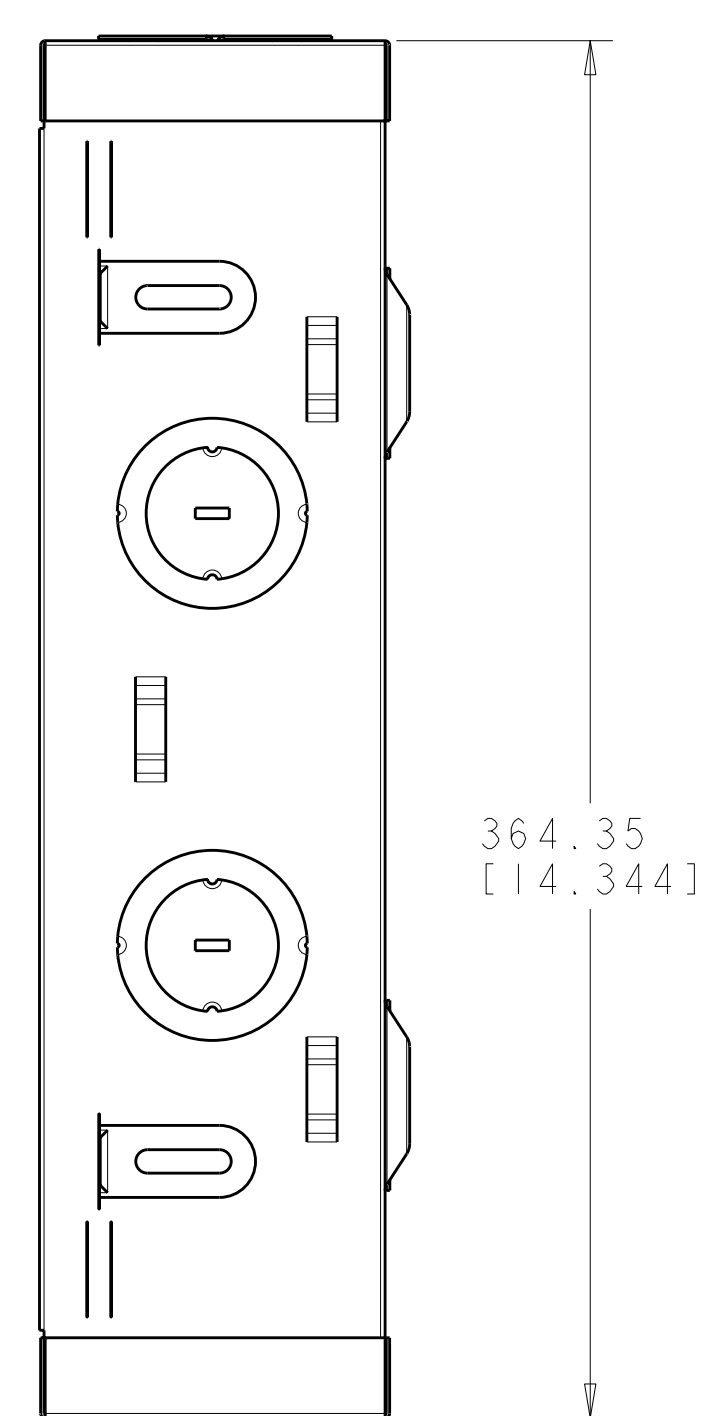
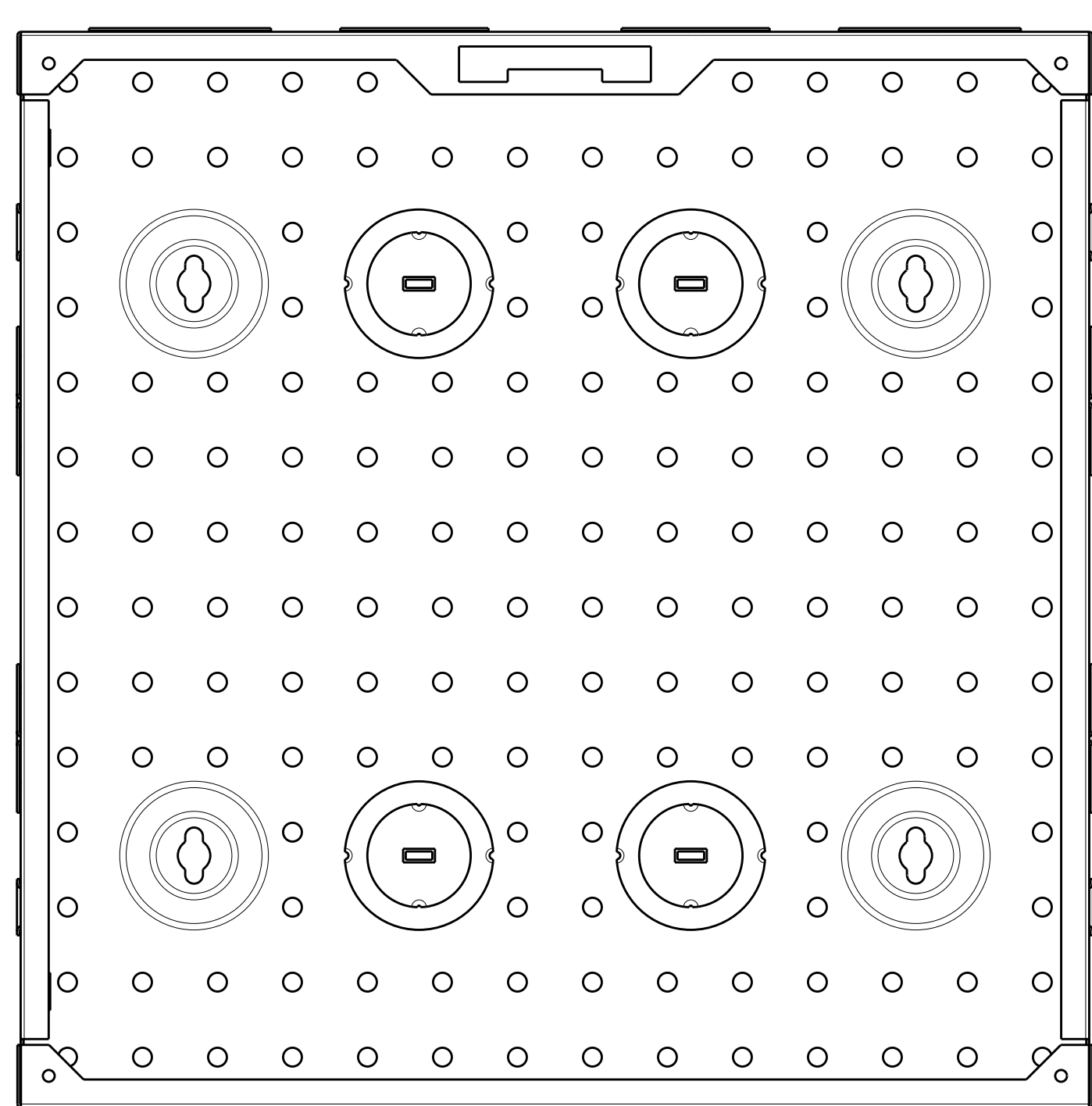


LOC	DIST	REVISIONS					
HM	00	P	LTN	DESCRIPTION	DATE	DWN	APVD
		A		RLSD: NSD08-067	21AUG2008	GG	SH



- 1 MATERIAL:
ENCLOSURE - 20 GA (0.9MM), SPCC
- 2 FINISH:
WHITE POWDER COATING, 100 µm THICK.
- 3 ALL DIMENSIONS SHOWN ARE NOMINAL.
- 4 ACCESSORIES INCLUDED:
FOUR 25.4 MM [1.00 IN.] WOOD SCREWS
ONE 8-32 PLATED GROUND/BOND SCREW
INSTRUCTION SHEET 408-10214



1933837-1
 PART NUMBER

<small>THIS DRAWING IS UNPUBLISHED. RELEASED FOR PUBLICATION. ALL RIGHTS RESERVED. THIS DRAWING IS UNPUBLISHED. RELEASED FOR PUBLICATION. ALL RIGHTS RESERVED. THIS DRAWING IS UNPUBLISHED. RELEASED FOR PUBLICATION. ALL RIGHTS RESERVED.</small>		DWN G. GARRETT 21AUG2008 CHK S. HERNDON 21AUG2008 APVD S. HERNDON 21AUG2008	Tyco Electronics Harrisburg, PA 17105-3608
DIMENSIONS: MM [INCHES]	TOLERANCES UNLESS OTHERWISE SPECIFIED: 0 PLC ± 1 PLC ± 2 PLC ± 3 PLC ± 4 PLC ± ANGLES ±	NAME PRODUCT SPEC APPLICATION SPEC	SIZE CAGE CODE DRAWING NO RESTRICTED TO
MATERIAL:	FINISH:	WEIGHT CUSTOMER DRAWING	SCALE 1:2 SHEET 1 OF 1 REV A