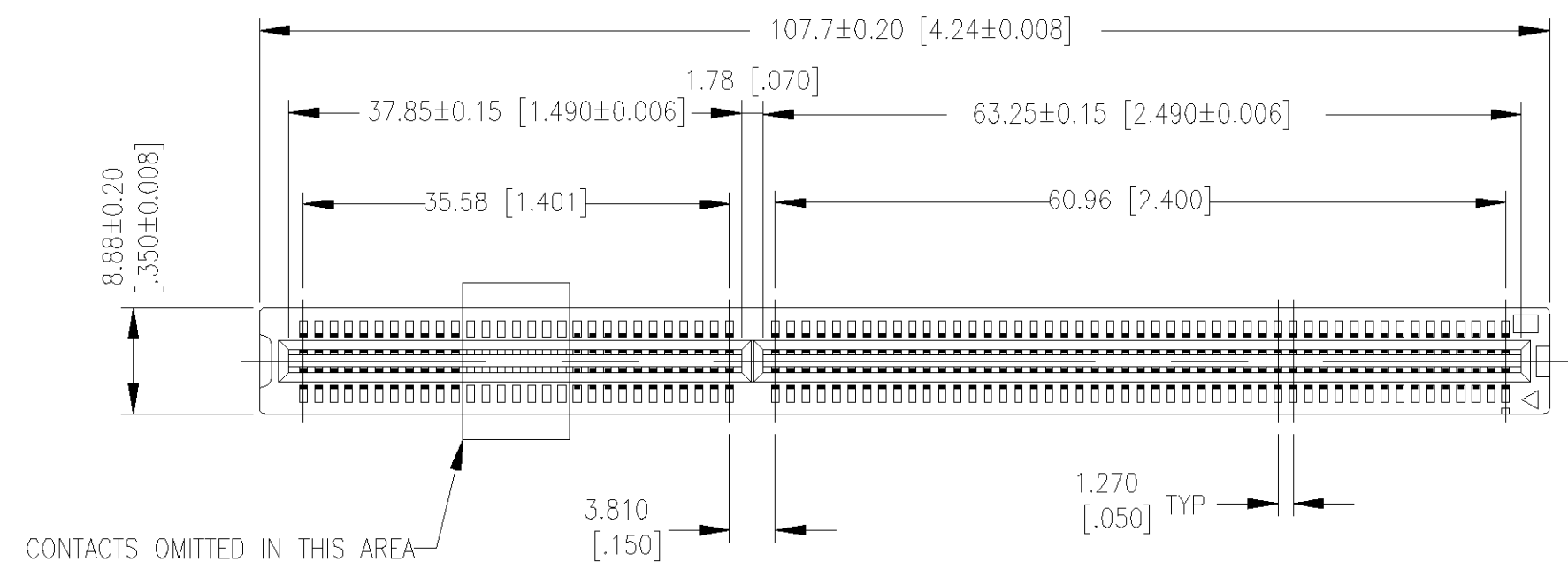


THIS DRAWING IS UNPUBLISHED. RELEASED FOR PUBLICATION.
 © COPYRIGHT BY TYCO ELECTRONICS CORPORATION. ALL RIGHTS RESERVED.

LOC	DIST	REVISIONS			
P	LTR	DESCRIPTION	DATE	DWN	APVD
0	GP	REV PER EC OS1B-0245-00	30 NOV 00	NF	PD



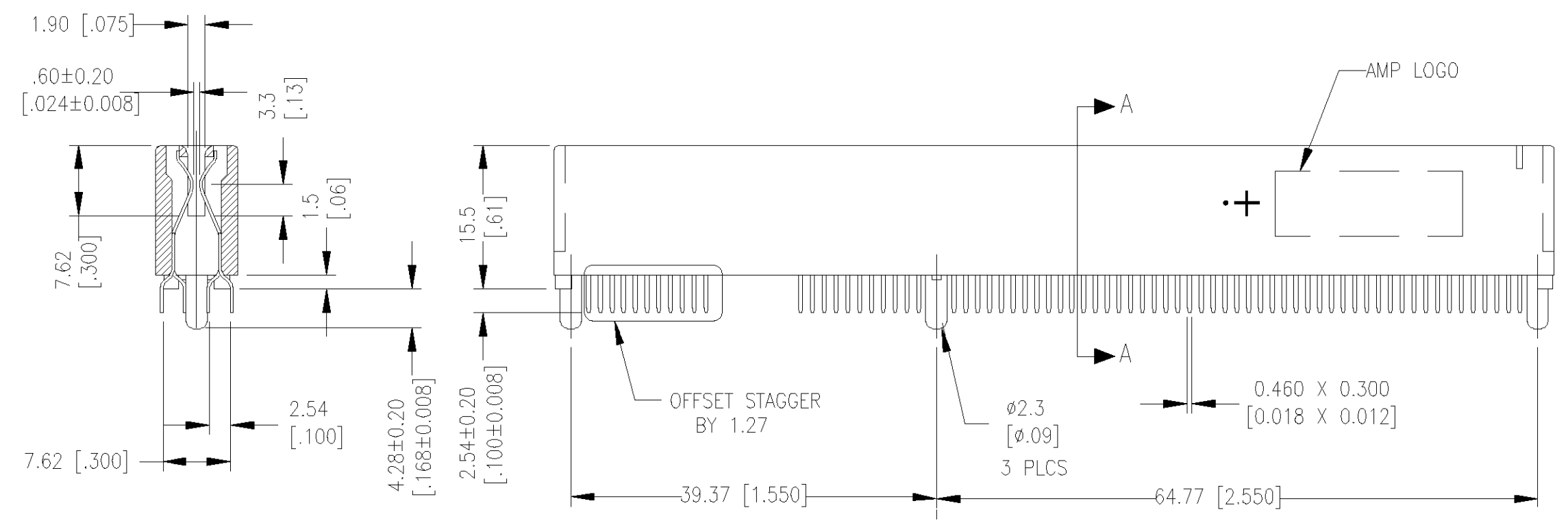
MATERIAL
 INSULATOR: GLASS-REINFORCED THERMOPLASTIC.

CONTACT: PHOSPHOR BRONZE
 PLATING: MATING AREA - SELECTED GOLD OVER NICKEL.
 SOLDER AREA - TIN/LEAD OVER NICKEL.

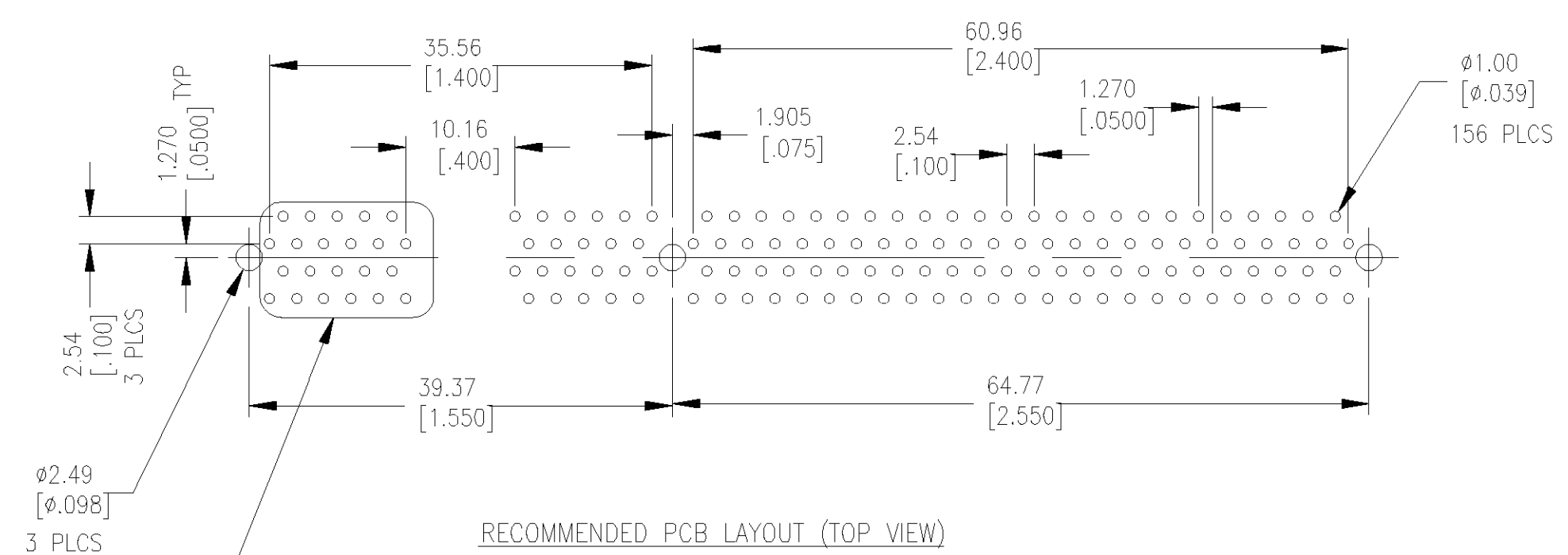
ELECTRICAL
 VOLTAGE RATING: 250 VAC RMS.
 CURRENT RATING: 1 AMP.
 DIELECTRIC WITHSTANDING VOLTAGE: 500 VAC RMS 60Hz FOR 1 MINUTE.
 INSULATION RESISTANCE: 1000 MEGOHMS MIN AT 500 VDC.
 CONTACT RESISTANCE: 30 MILLIOHMS MAX AT 1 AMP DC.

MECHANICAL
 RETENTION FORCE: 460 GRAMS MIN PER CONTACT.
 INSERTION FORCE: 230 GRAMS MAX PER CONTACT PAIR.
 WITHDRAWAL FORCE: 15 GRAMS MIN PER CONTACT PAIR.

ENVIRONMENTAL
 TEMPERATURE RANGE: -55°C TO +85°C.



SECTION A-A



GOLD FLASH	NYLON 66	145555-1
CONTACT PLATING	HOUSING MATERIAL	P/N

THIS DRAWING IS A CONTROLLED DOCUMENT.		DWN N. FRITZ 30NOV00	Tyco Electronics Corporation Harrisburg, PA 17105	
DIMENSIONS: MM		CHK P. D'AMATO 30 NOV 00	AMP	
TOLERANCES UNLESS OTHERWISE SPECIFIED:		APVD P. D'AMATO 30 NOV 00	CONNECTOR ASSEMBLY, 71 DUAL POS., .050 SERIES, STANDARD EDGE	
0 PLC ± -	1 PLC ± -	NAME	SIZE	CAGE CODE
2 PLC ± -	3 PLC ± -	PRODUCT SPEC	A2	00779
4 PLC ± -	ANGLES ± -	APPLICATION SPEC	DRAWING NO	145555
MATERIAL	FINISH	WEIGHT	RESTRICTED TO	
CUSTOMER DRAWING		SCALE	SHEET	OF
		2:1	1	1

OBsolete
 NOT the LATEST REVISION

145555