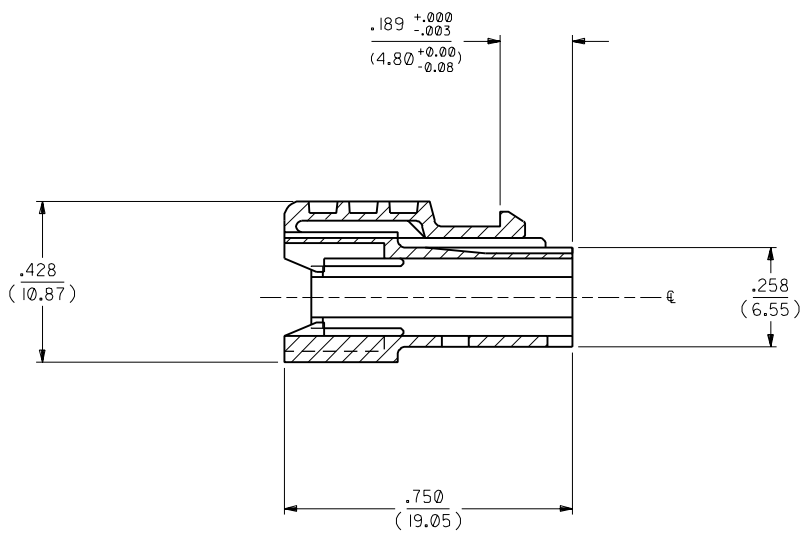
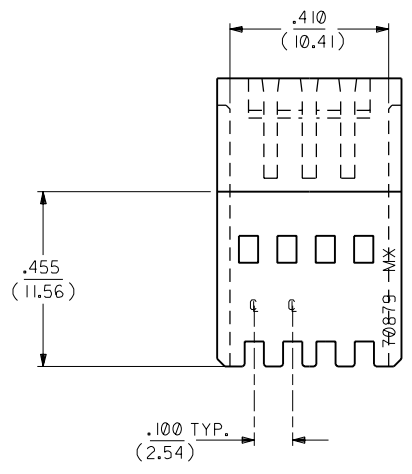
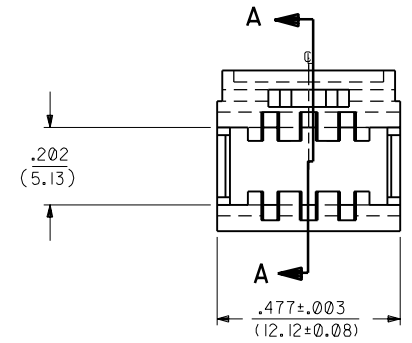
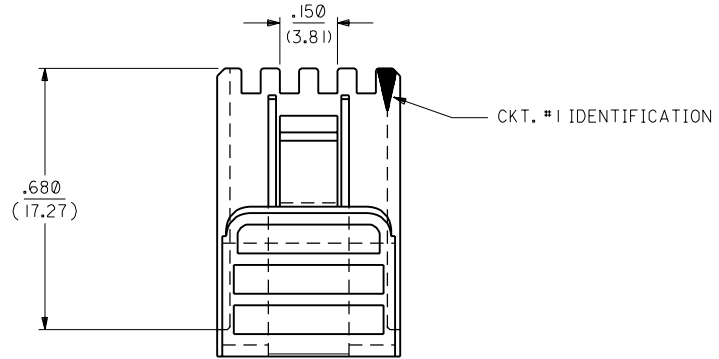


NOTES:

- 1.) MATERIAL: GLASS FILLED POLYESTER, 94V-0, BLACK.
- 2.) ALL DIMENSIONS FOR REFERENCE ONLY.
- 3.) PACKAGE PER PK-70879-100.



SECTION A-A

D	ADD PKG NOTE PER UDI2000-0468 SCHAFER 99/12/2
C	REDRAWN ON CAD PER ECR #3621 12/11/87 MJM/PB

DIMENSIONS SHOWN (METRIC) INCH		▽ = 0		◻ = 0		REVISE ONLY ON CAD SYSTEM	
UNLESS OTHERWISE SPECIFIED TOLERANCES ANGULAR ± 1/2°							
		INCH		METRIC			
3 PLACE	± .010	---		---			
2 PLACE	± .015	± 0.25		---			
1 PLACE	---	± 0.38		---			
DRAFT WHERE APPLICABLE MUST REMAIN WITHIN DIMENSIONS							
DRWG. BY: PDB	CHK'D. BY: MJM	PART NO. 015-04-5085		SHEET NO. 1		DATE 05/13/87	
APP'D. BY: WAZ	SCALE: 4 : 1	MOLEX INCORPORATED U.S.A.		DRWG. NO. SD-70879-0008		DIV. DA	
THIS DRAWING CONTAINS INFORMATION THAT IS PROPRIETARY TO MOLEX INC. AND SHOULD NOT BE USED WITHOUT WRITTEN PERMISSION.							