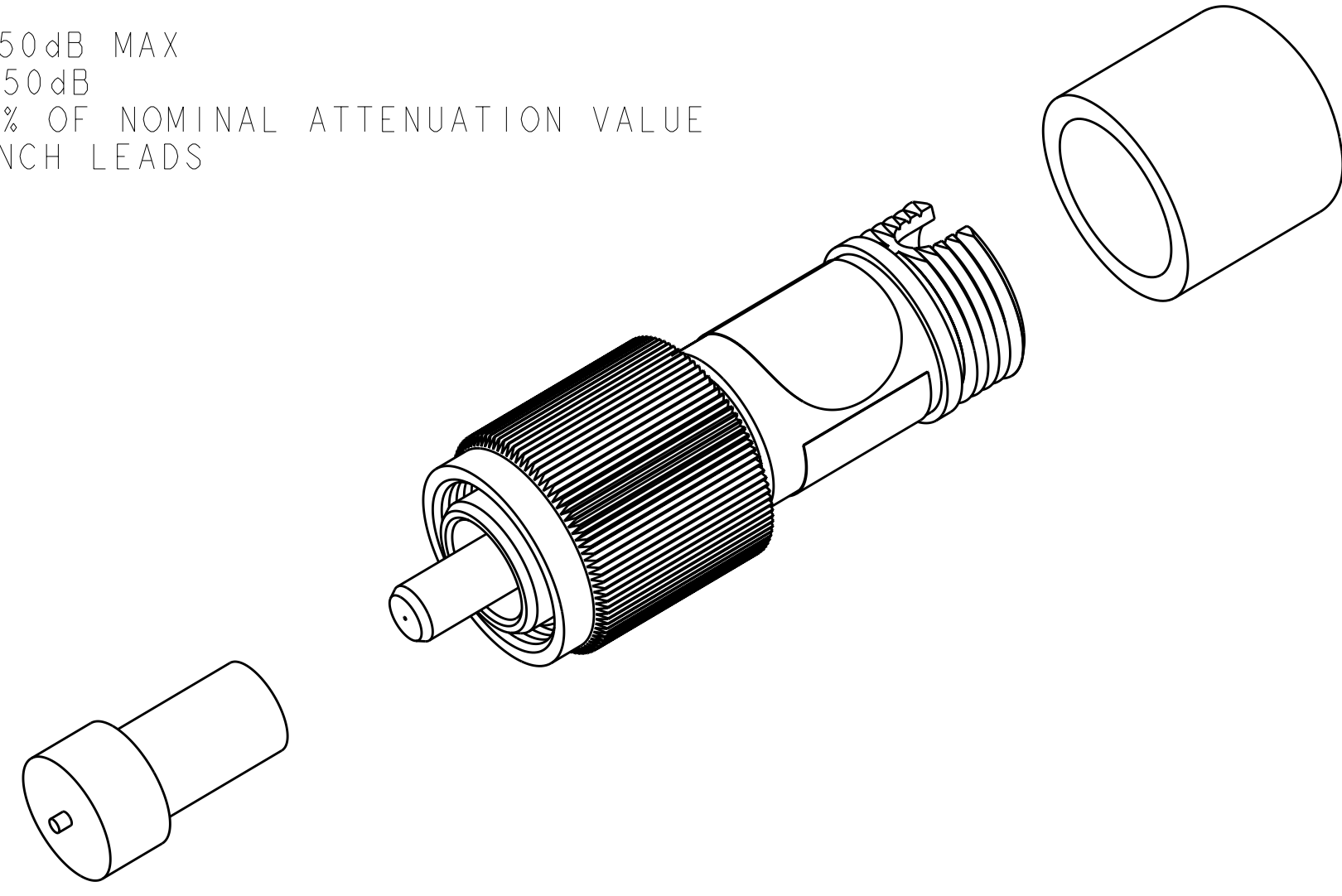


THIS DRAWING IS UNPUBLISHED. RELEASED FOR PUBLICATION 20
 © COPYRIGHT 20 BY TYCO ELECTRONICS CORPORATION. ALL INTERNATIONAL RIGHTS RESERVED.

LOC	DIST	REVISIONS			
P	LTR	DESCRIPTION	DATE	DWN	APVD
CE	00				
	AJ	REVISED PER 0A00-0178-05	28APR2005	EJH	SB
	AJI	REVISED PER ECO-09-027197	24DEC09	KK	AEG

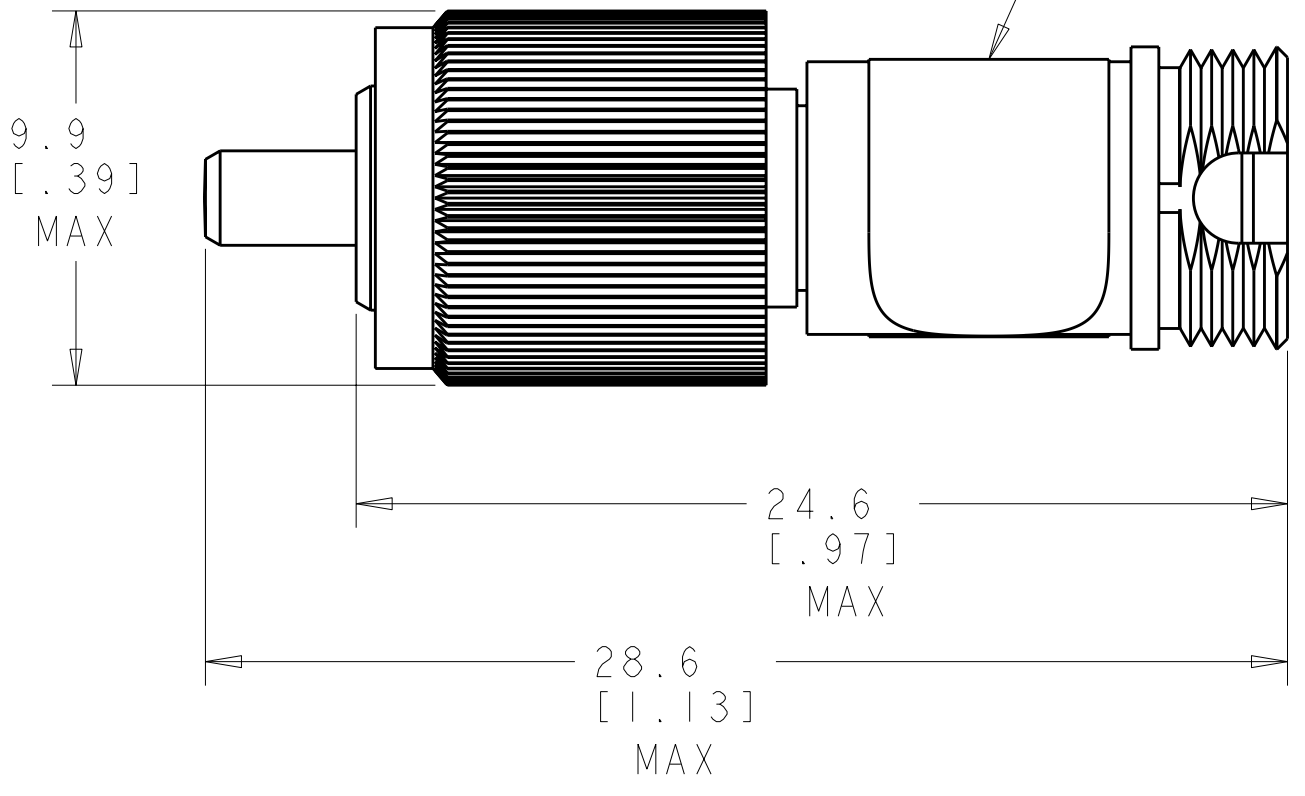
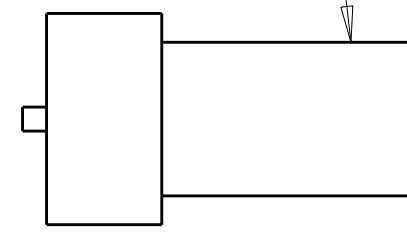
PERFORMANCE REQUIREMENTS:
 OPERATING WAVELENGTH: 1260-1360 & 1430-1625nm
 REFLECTANCE: $\leq -55.5\text{dB}$
 ATTENUATION TOLERANCE, AMBIENT:
 FOR 0dB ATTENUATORS : +0.50dB MAX
 FOR ATTENUATORS $\leq 5\text{dB}$: $\pm 0.50\text{dB}$
 FOR ATTENUATORS $> 5\text{dB}$: $\pm 10\%$ OF NOMINAL ATTENUATION VALUE
 MEASURED WITH REFERENCE QUALITY LAUNCH LEADS

ENDFACE GEOMETRY:
 ROC: 10-25mm
 APEX OFFSET: $< 50\mu\text{m}$
 FIBER HEIGHT: $\pm 50\text{nm}$



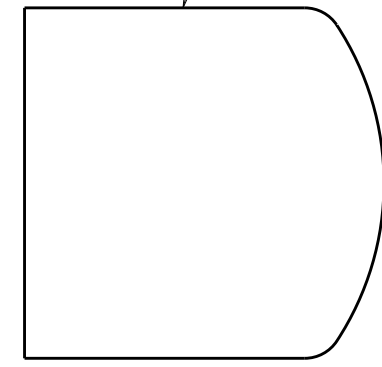
NOMINAL ATTENUATION VALUE (dB)	PART NUMBER
0	9-209285-9
1	209285-1
2	209285-2
3	209285-3
4	209285-4
5	209285-5
6	209285-6
7	209285-7
7.5	7-209285-7
8	209285-8
9	209285-9
10	1-209285-0
11	1-209285-1
12	1-209285-2
13	1-209285-3
14	1-209285-4
15	1-209285-5
16	1-209285-6
17	1-209285-7
18	1-209285-8
19	1-209285-9
20	2-209285-0
25	2-209285-5
30	3-209285-0

PROTECTIVE COVER



2 SUPERSEDED BY 5209285-7

PROTECTIVE CAP



2 OBSOLETE
 2 OBSOLETE
 2 OBSOLETE
 2 OBSOLETE
 OBSOLETE
 OBSOLETE
 2 OBSOLETE
 2 OBSOLETE
 OBSOLETE

1 TYCO LOGO, ATTENUATION VALUE, PART NUMBER, AND SERIAL NUMBER ARE PRINTED ON THE LABEL.

2 OBSOLETE PARTS: OBSOLETE CIS STREAMLINING PER D.RENAUD/D.SINISI

THIS DRAWING IS A CONTROLLED DOCUMENT FOR TYCO ELECTRONICS CORPORATION. IT IS SUBJECT TO CHANGE AND THE CONTROLLING ENGINEERING ORGANIZATION SHOULD BE CONTACTED FOR THE LATEST REVISION.

DWN	R. GRAPE	05/08/01	Tyco Electronics Corporation Harrisburg, PA 17105-3608
CHK	C. BENNETT	05/08/01	
APVD	J. HIMES	05/08/01	
PRODUCT SPEC			
MATERIAL			NAME
DIMENSIONS: mm [INCHES] TOLERANCES UNLESS OTHERWISE SPECIFIED: 0 PLC \pm - 1 PLC ± 1.0 2 PLC $\pm .38$ 3 PLC \pm - 4 PLC \pm - ANGLES ± 2 FINISH			ATTENUATOR, FOPC BOA FC/UPC BP SM SIZE CAGE CODE DRAWING NO RESTRICTED TO A200779 C-209285 SCALE 5:1 SHEET 1 OF 1 REV AJI
CUSTOMER DRAWING			