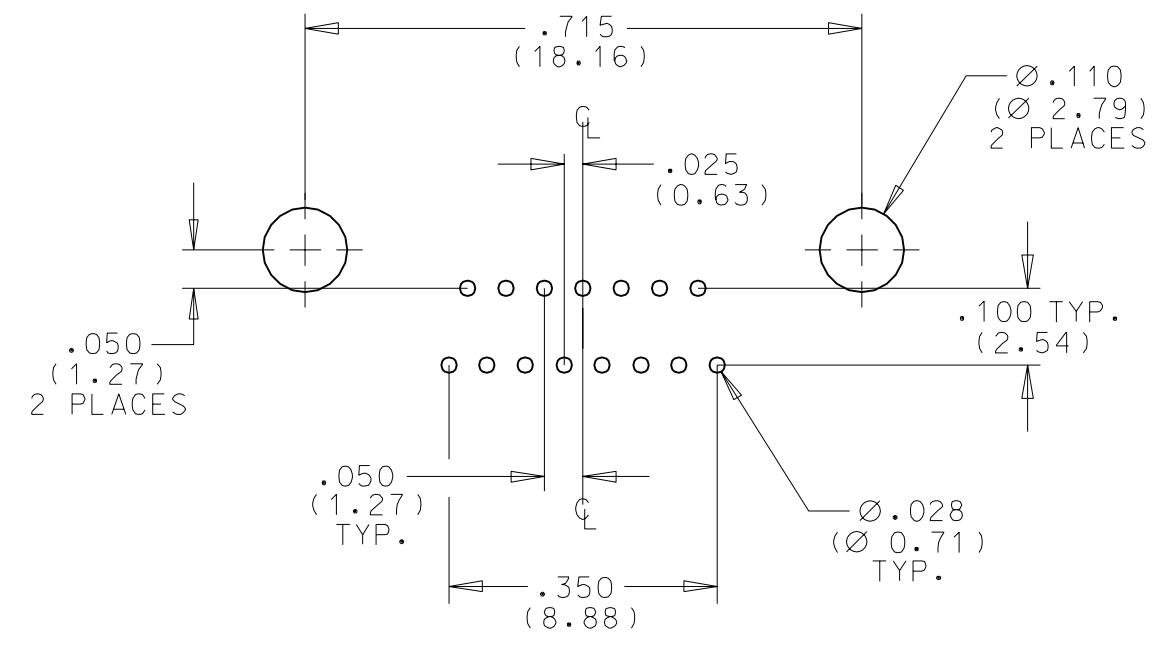
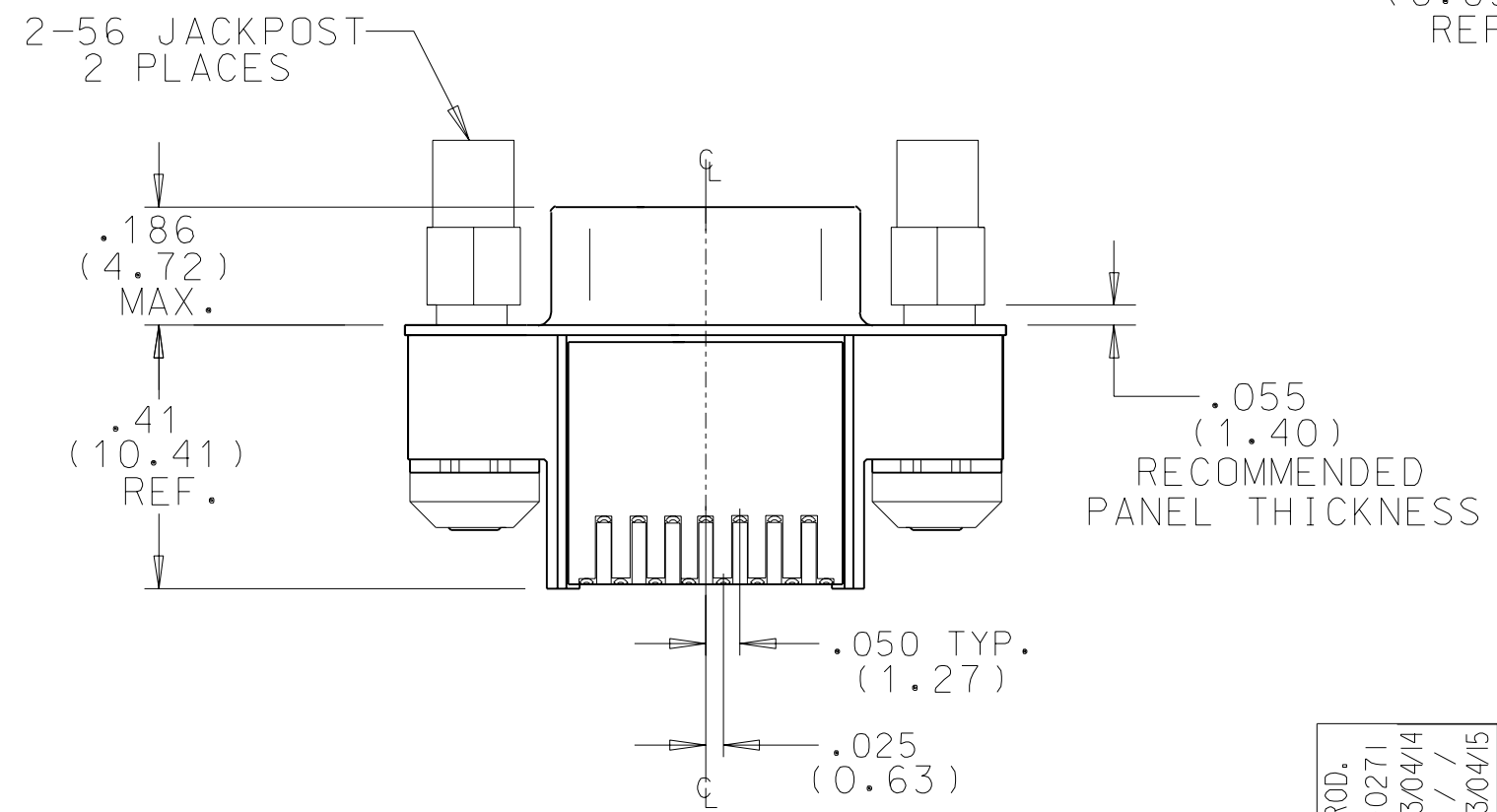
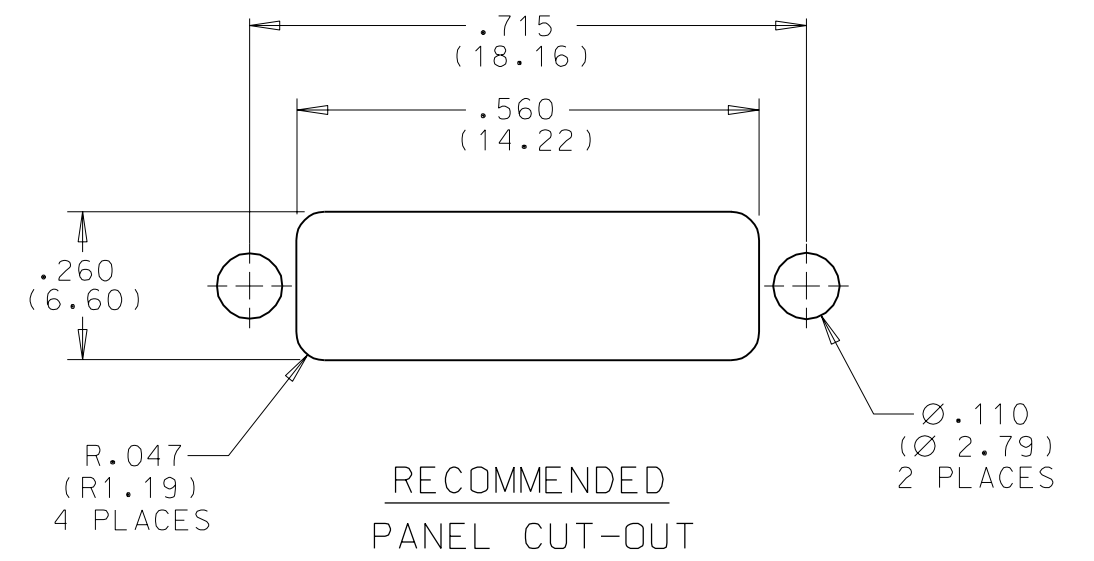
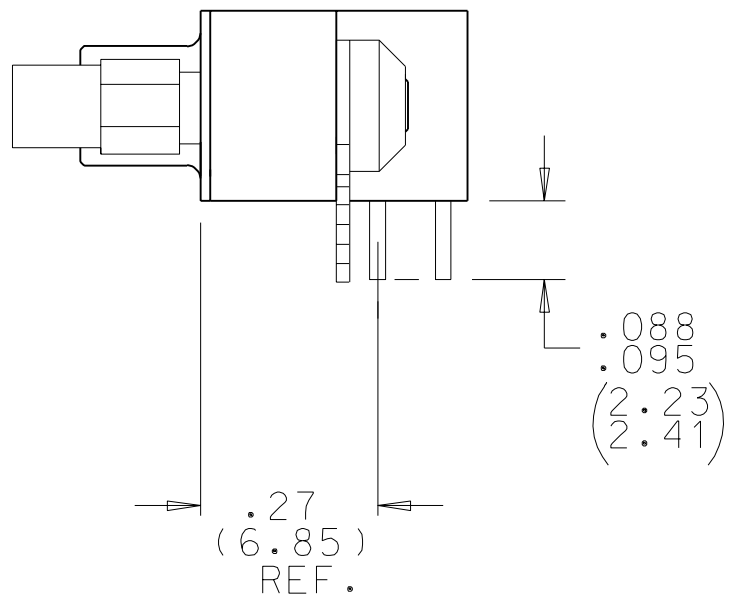
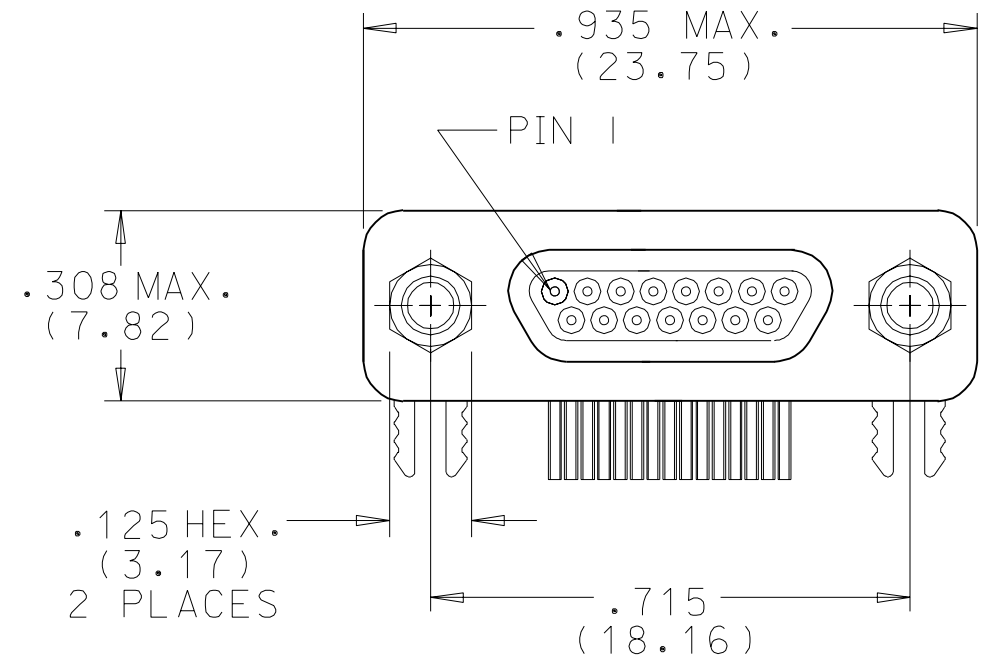


MATERIAL NO.	ENGINEERING NO.
836129031	83612-9031



2. MARKING: NONE.
 1. REFER TO PS-83421-9000 FOR PRODUCT SPECIFICATION.
 NOTES: UNLESS OTHERWISE SPECIFIED.

RELEASE FOR PROD.	EC NO. ETC2003-0271	DRWN: JAL	CHK: /	APPR: RWD	03/04/15
A	DESCRIPTION				
REV	QUALITY SYMBOLS				
	MAJOR = 0				
	CRITICAL = 0				

GENERAL TOLERANCES: (UNLESS SPECIFIED)	
4 PLACES	±0. mm ±. INCH
3 PLACES	±0. mm ±.005 INCH
2 PLACES	±0.13 mm ±.010 INCH
1 PLACE	±0.25 mm ±. INCH
ANGULAR: ±2 °	
DRAFT WHERE APPLICABLE MUST REMAIN WITHIN DIMENSIONS	

SCALE 2 : 1	DESIGN UNITS <input type="checkbox"/> mm <input checked="" type="checkbox"/> INCH
DRAWN BY & DATE JAL 03/04/14	
CHECKED BY & DATE / /	
APPROVED BY & DATE RWD 03/04/15	
CAD FILENAME SD-83612-004.DWG	

DIMENSIONS: <input type="checkbox"/> mm <input checked="" type="checkbox"/> INCH <input type="checkbox"/> mm ONLY		SHT	REV
THIRD ANGLE PROJECTION		REVISE ON CAD ONLY	
TITLE: CIRCUIT CONNECTOR COMM MICRO D PLUG SIZE 15			
MOLEX INCORPORATED			
MATERIAL NO. SEE CHART	DRAWING NO. SD-83612-004	SHEET NO. 1 OF 1	
THIS DRAWING CONTAINS INFORMATION THAT IS PROPRIETARY TO MOLEX INCORPORATED AND SHOULD NOT BE USED WITHOUT WRITTEN PERMISSION.			SIZE B