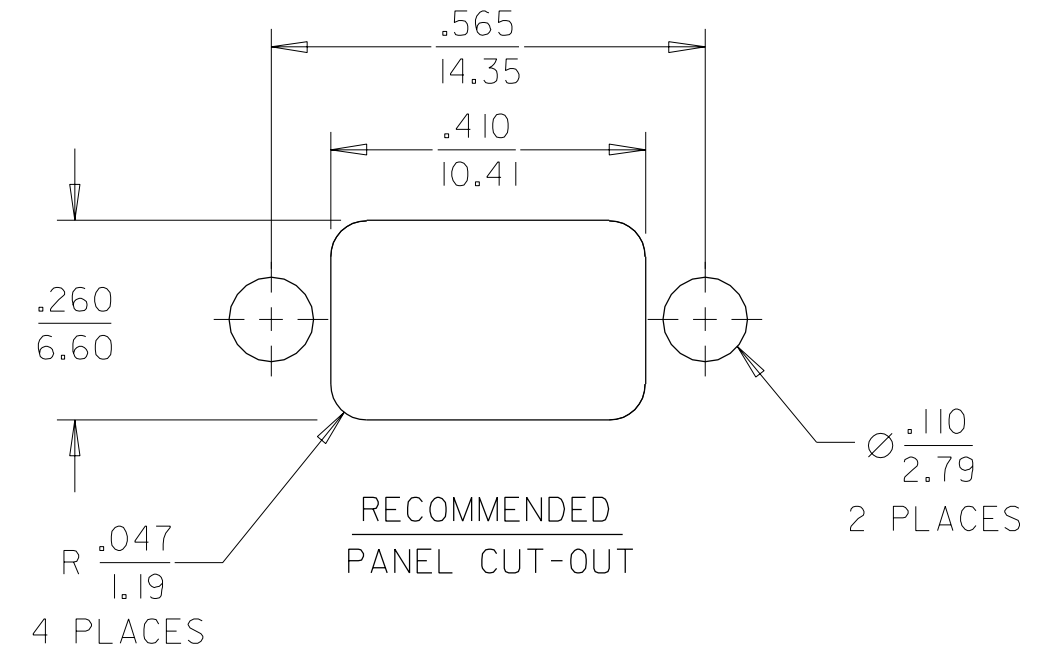
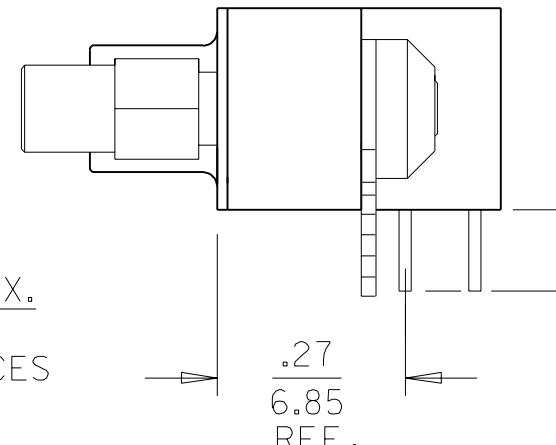
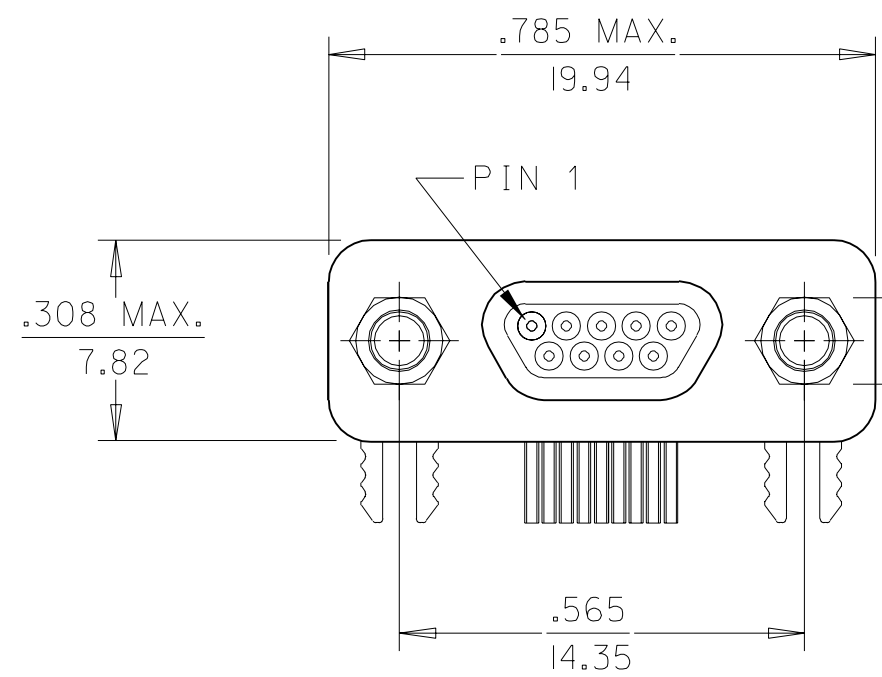
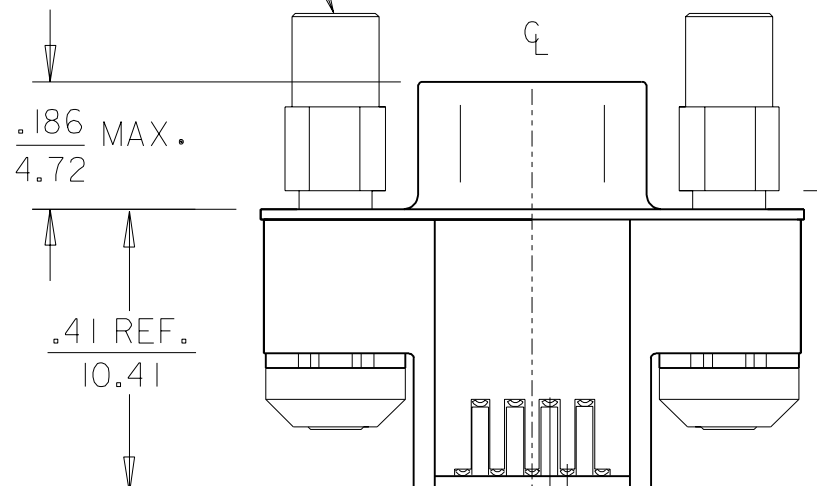


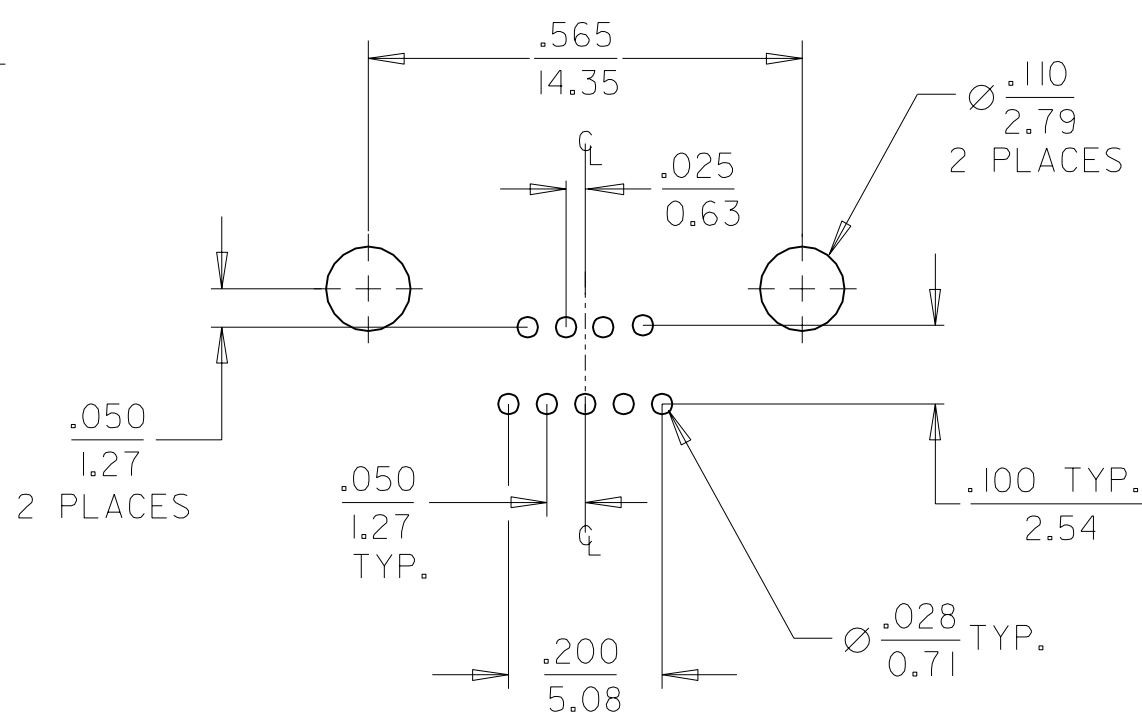
MATERIAL NO.	ENGINEERING NO.
836119203	83611-9203



NON-REMOVABLE
2-56 JACKSCREW
2 PLACES



RECOMMENDED
PANEL THICKNESS



RECOMMENDED
P.C.B. LAYOUT

SALES DRAWING

2. MARKING: NONE.
1. REFER TO PS-83421-9000 FOR PRODUCT SPECIFICATION.
NOTES: UNLESS OTHERWISE SPECIFIED.

RELEASE FOR PROD EC NO. ETC2003-0242 DRWN: JAL 03/03/10 CHK: CHY APPR: RWD 03/03/14	DESCRIPTION MAJOR CRITICAL	GENERAL TOLERANCES: (UNLESS SPECIFIED)		SCALE NTS	DESIGN UNITS <input type="checkbox"/> mm <input checked="" type="checkbox"/> INCH	DIMENSIONS: <input type="checkbox"/> mm <input checked="" type="checkbox"/> INCH <input type="checkbox"/> mm ONLY	SHT REV		
		4 PLACES ±0.----- ±.----- 3 PLACES ±0.--- ±.005 2 PLACES ±0.13 ±.010 1 PLACE ±0.26 ±.---	DRAWN BY & DATE JAL 03/03/10	TITLE: CONNECTOR, COMMERCIAL-D, PLUG, RIGHT ANGLE SIZE 9 NON REMOVABLE JACKPOST		APPROVED BY & DATE RWD 03/03/14		MOLEX INCORPORATED	
		ANGULAR: ± 1°	CHECKED BY & DATE / /	CAD FILENAME SD83611008.DGN		MATERIAL NO. (SEE CHART)	DRAWING NO. SD-83611-008	SHEET NO. 1 OF 1	
		DRAFT WHERE APPLICABLE MUST REMAIN WITHIN DIMENSIONS	THIS DRAWING CONTAINS INFORMATION THAT IS PROPRIETARY TO MOLEX INCORPORATED AND SHOULD NOT BE USED WITHOUT WRITTEN PERMISSION.					SIZE B	