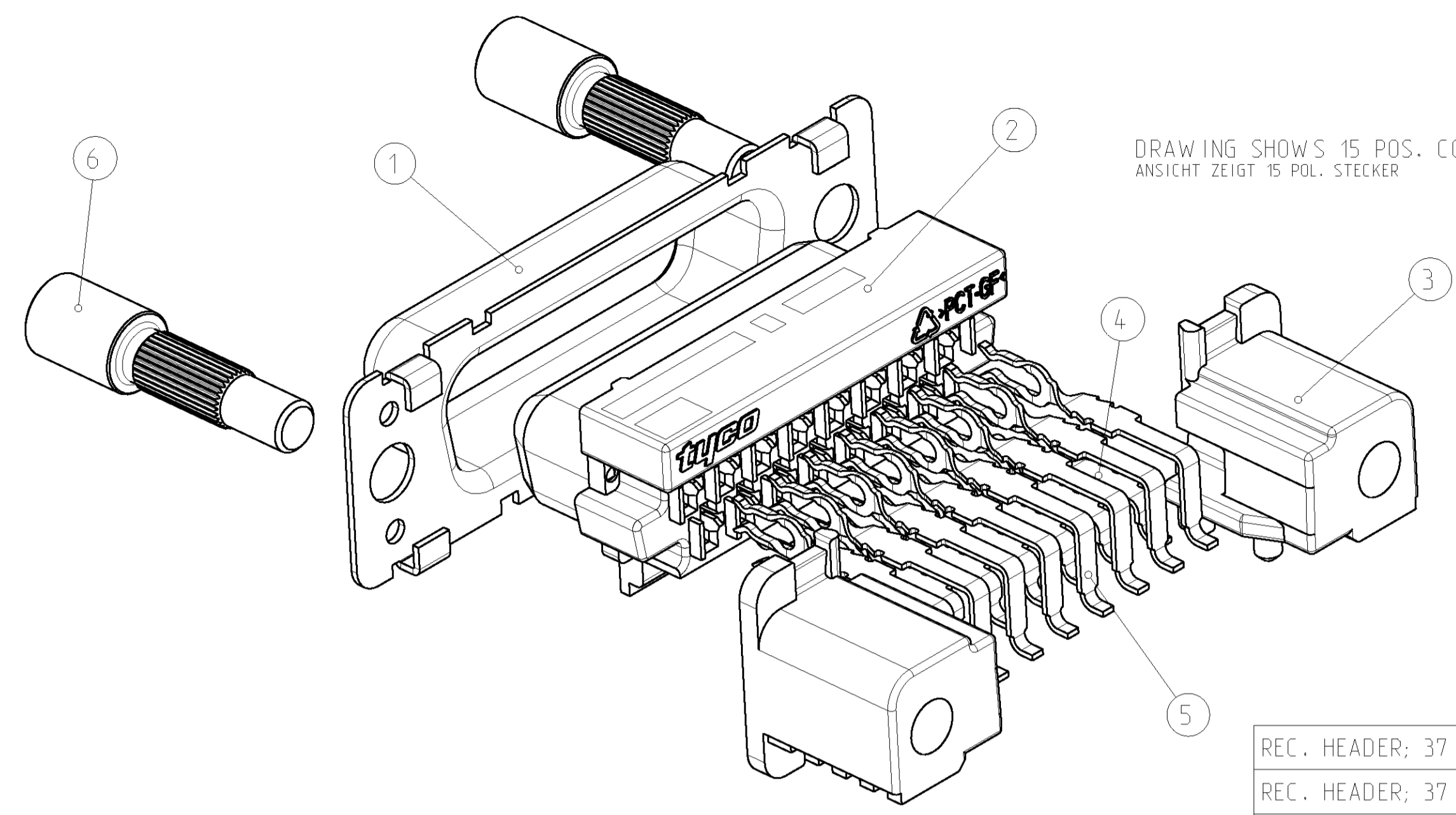
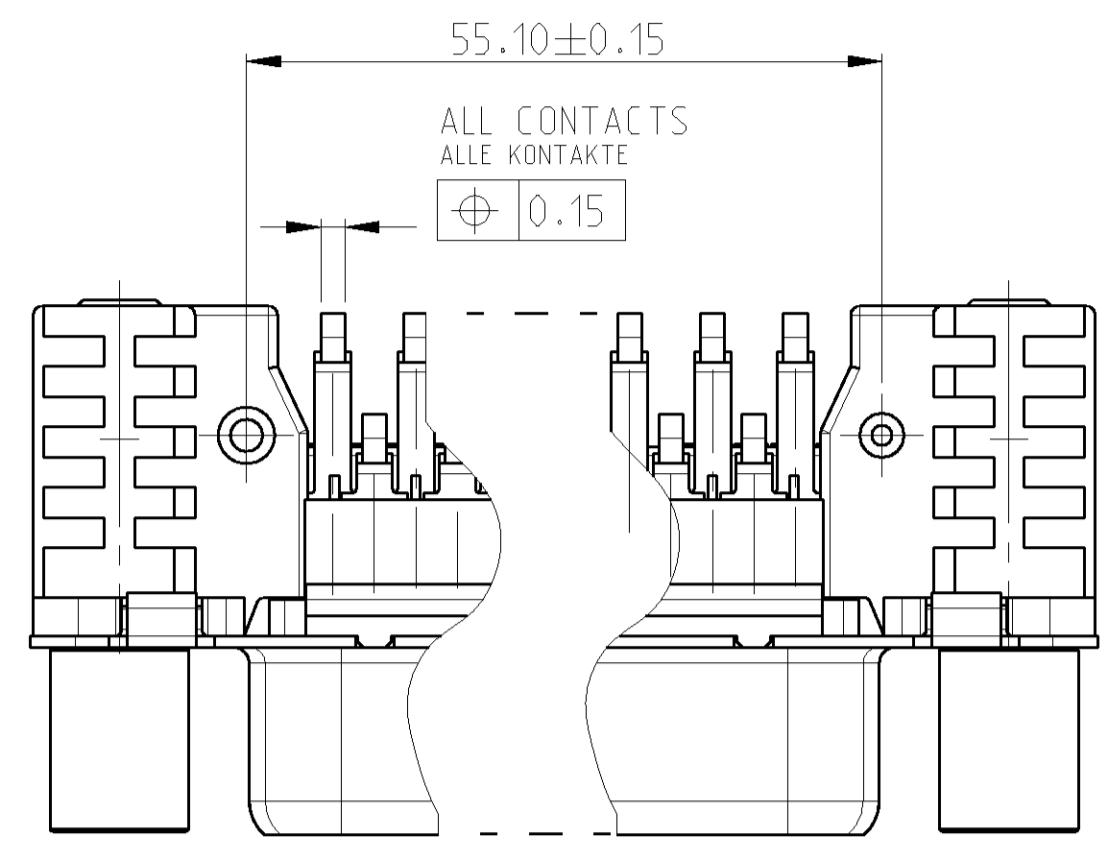
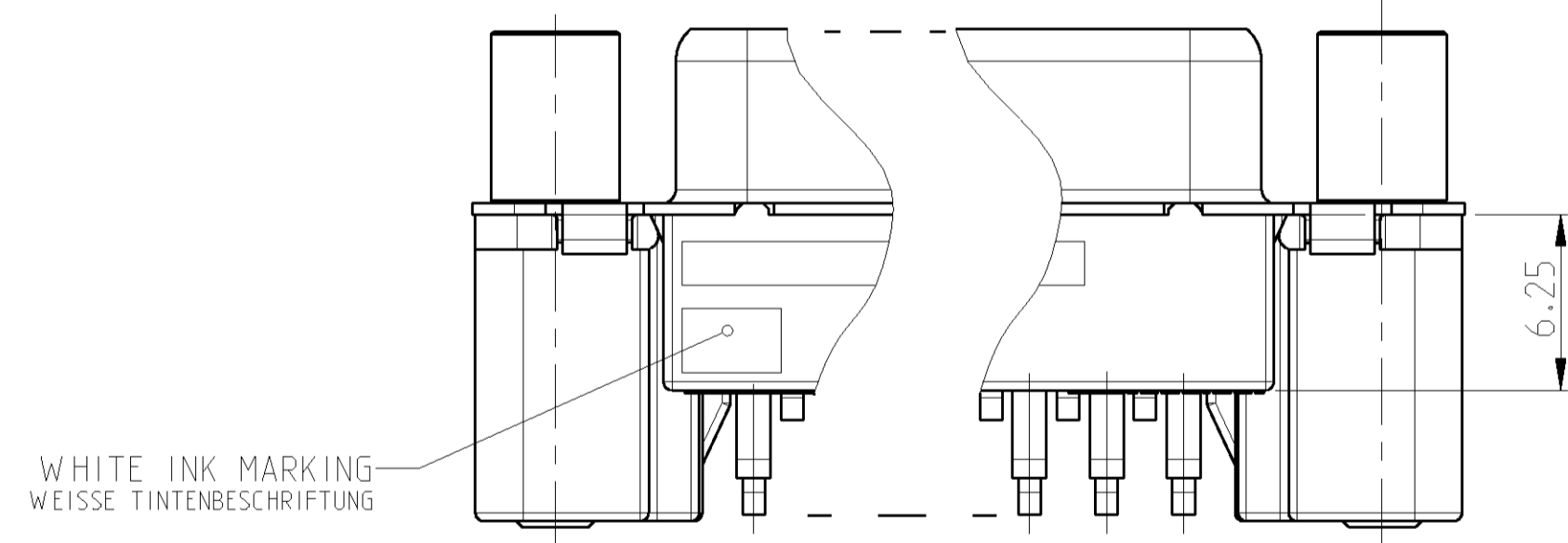
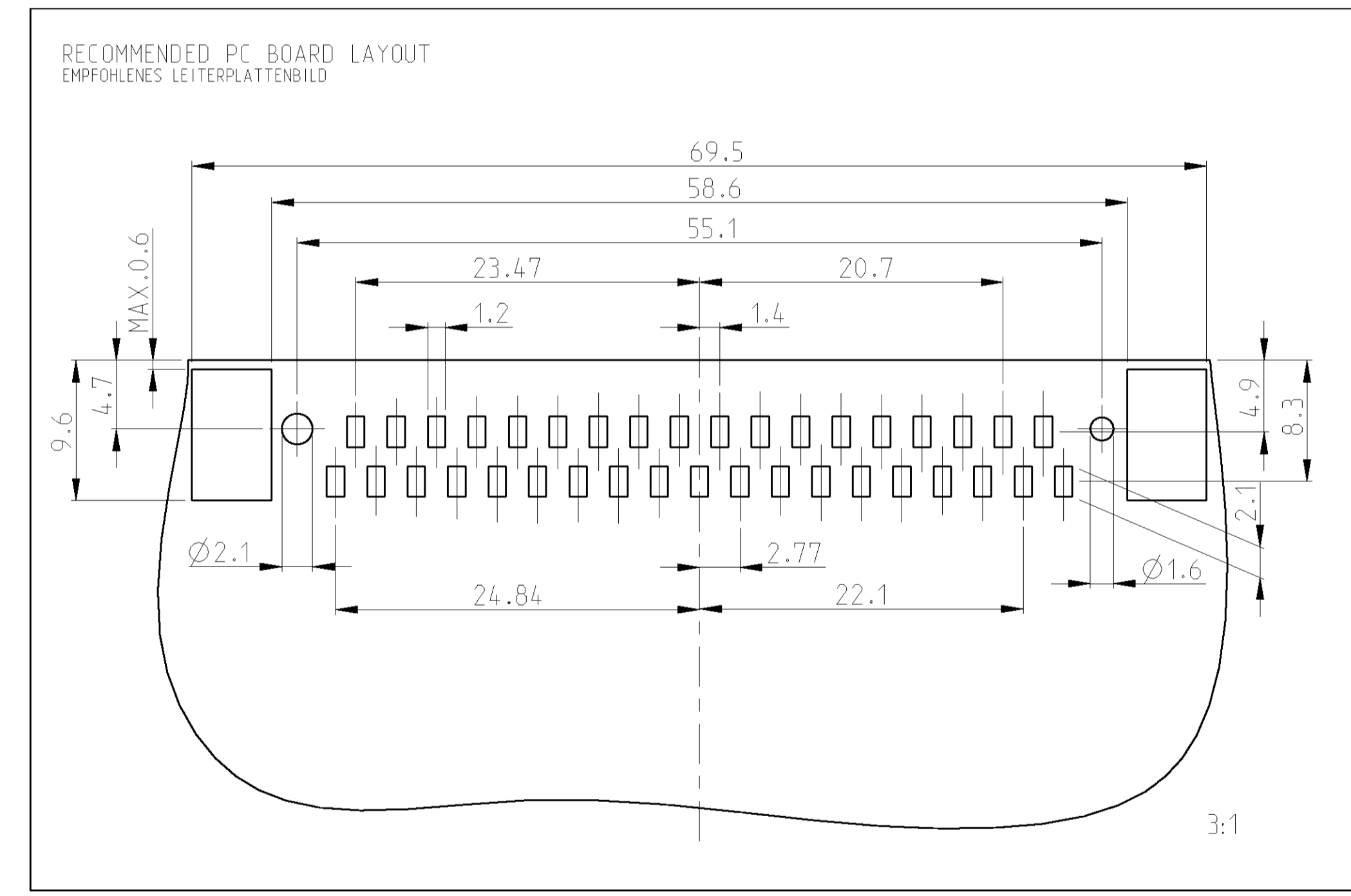
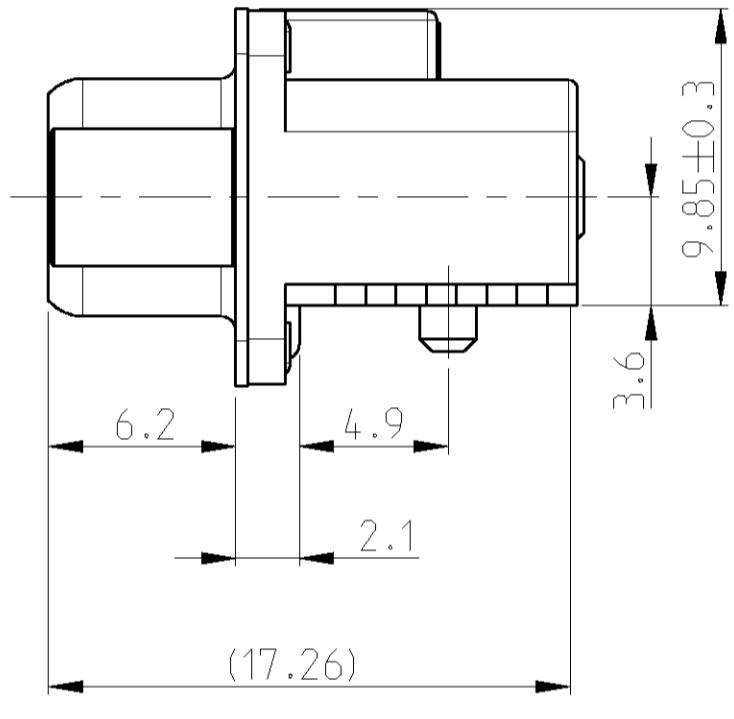
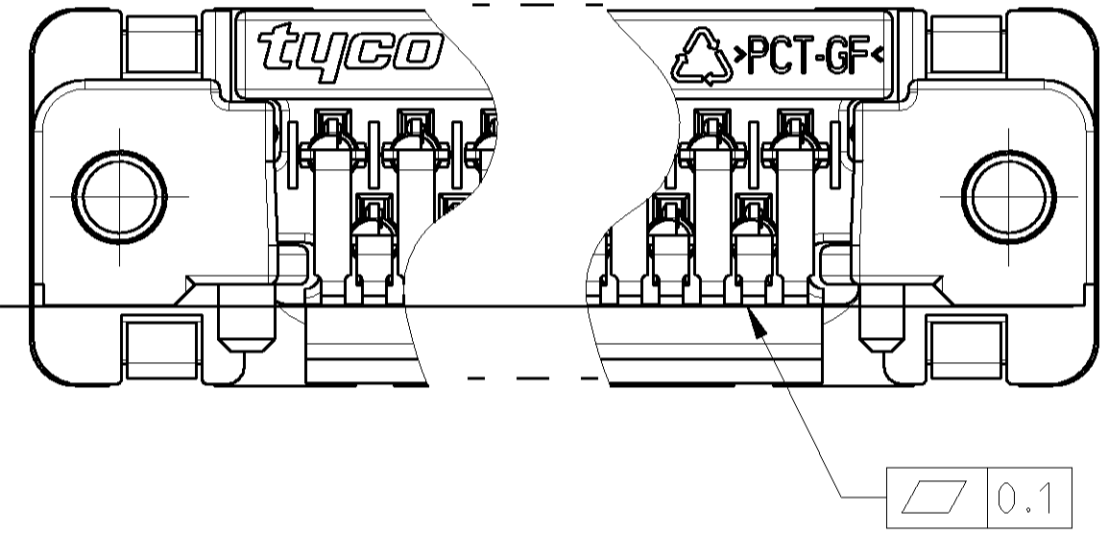


LOC	DIST	P	LTR	REVISIONS	DATE	DRW	APPR
				ÄNDERUNGEN			
				DESCRIPTION			
				BEZEICHNUNG			
A1	-			NEW DRAWING	30NOV2004	L.S.	G.F.
				VERSIONS XXX-5 ADDED	10NOV2005	L.S.	M.S.
				DWG. TITEL CHANGED	09JAN2006	L.S.	M.S.
				DIM. 2.1 ADDED	22SEP2006	ACK	MS

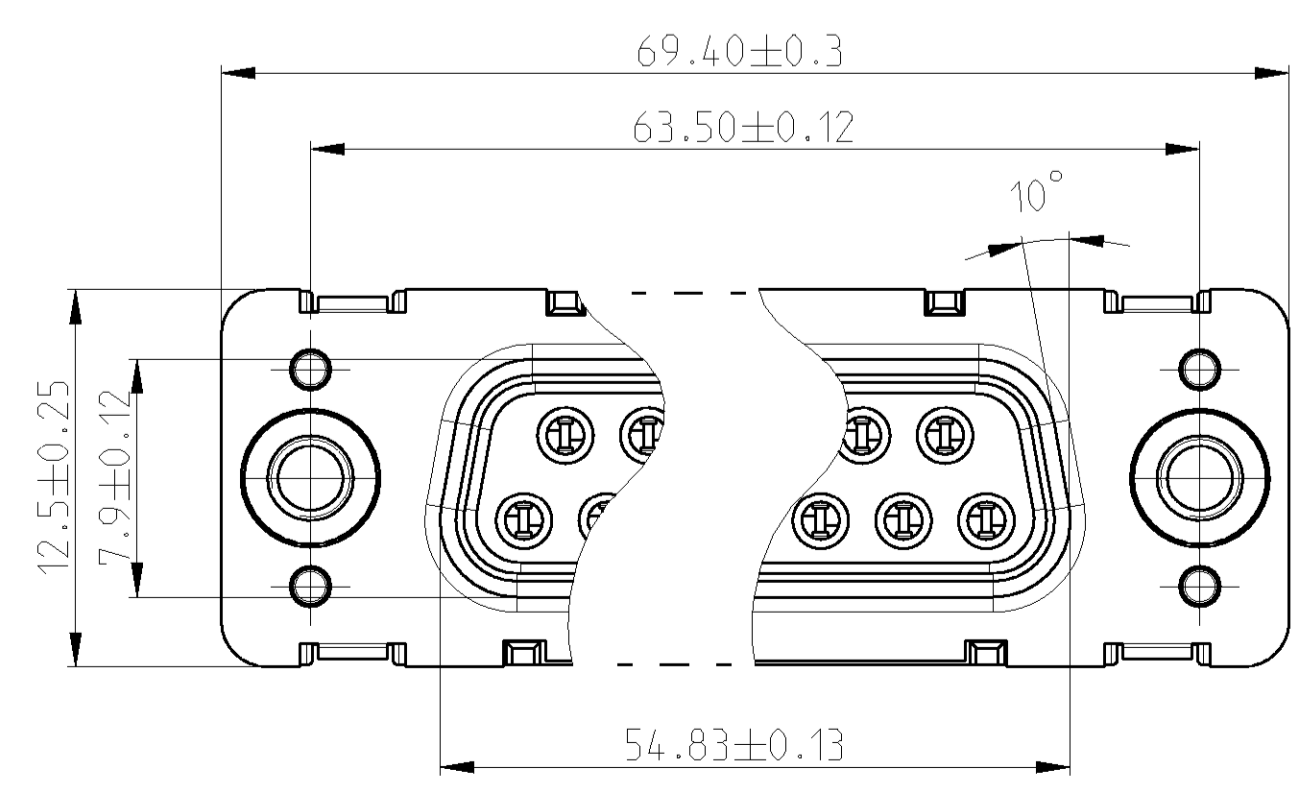


REC. HEADER; 37 POS.; STUD WITH THREAD M3	4-1740200-2	4-1740200-5
REC. HEADER; 37 POS.; BRACKET WITH THREAD M3	2-1740200-2	2-1740200-5
REC. HEADER; 37 POS.; STUD WITH THREAD UNC 4/40	3-1740200-2	3-1740200-5
REC. HEADER; 37 POS.; BRACKET WITH THREAD UNC4-40	1-1740200-2	1-1740200-5
REC. HEADER; 37 POS.; BRACKET WITH HOLE Ø3.1	0-1740200-2	0-1740200-5
DESCRIPTION	SHELL PLATING: TIN OVER NI	SHELL PLATING: NI



**REMARKS:**  
 ▲ CONTACT AREA: min. 0.8µm Au OVER 1.27 µm Ni ;  
 SOLDER AREA: 3-5 µm Sn OVER min. 1.27 µm Ni  
 2 PACKAGING SEE SHEET 2  
 3 CONNECTOR SUITABLE FOR LEAD-FREE SMT SOLDER PROCESS  
 ▲ TIN OVER NICKEL

**BEMERKUNGEN:**  
 ▲ KONTAKTBEREICH: min. 0,8µm Au ÜBER 1,27 µm Ni;  
 LÖTBEREICH: 3-5 µm Sn ÜBER min. 1,27 µm Ni  
 2 VERPACKUNGSART SIEHE BLATT 2  
 3 STECKER GEEIGNET FÜR BLEIFREIES SMT LÖTEN  
 ▲ ZINN ÜBER NICKEL

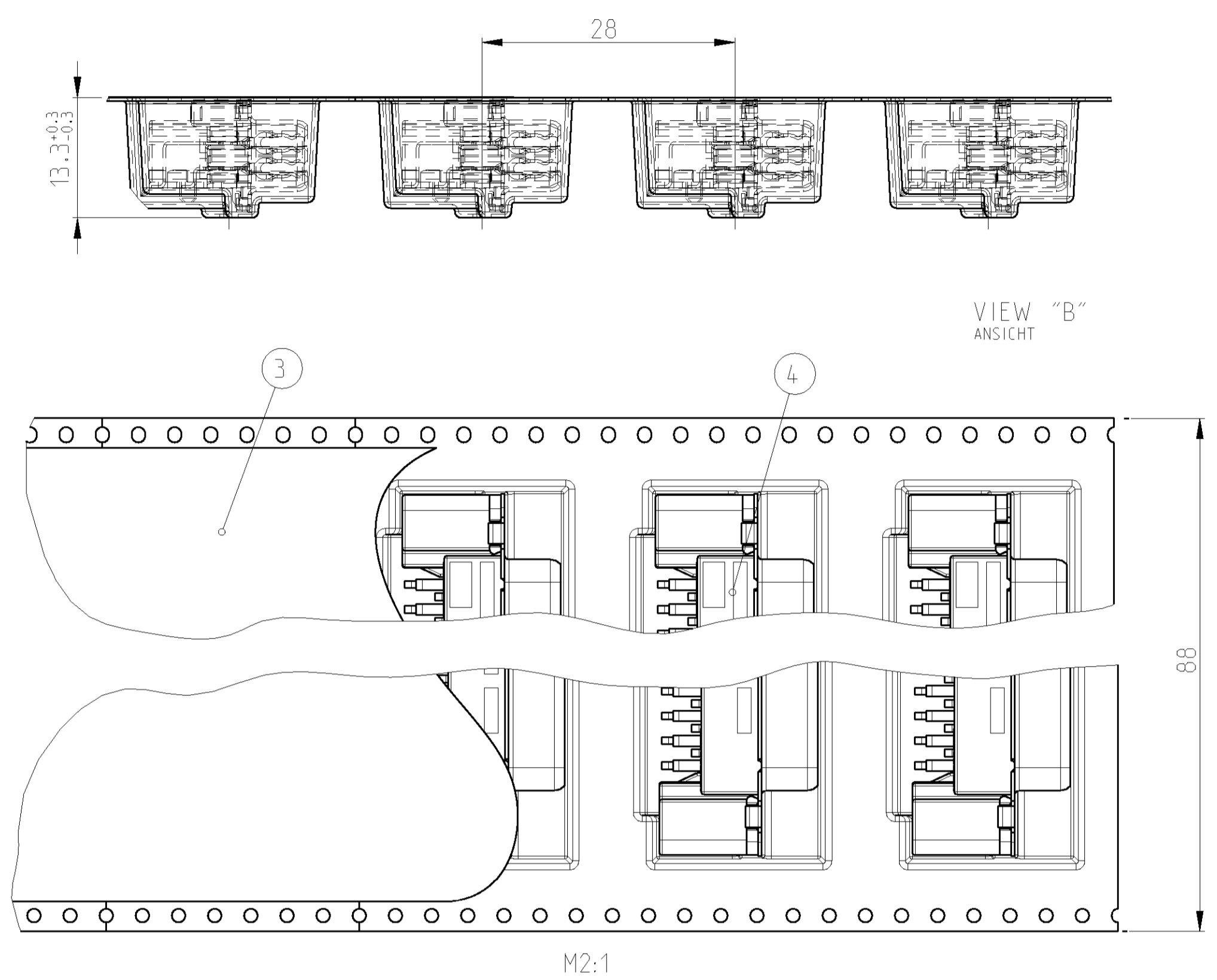
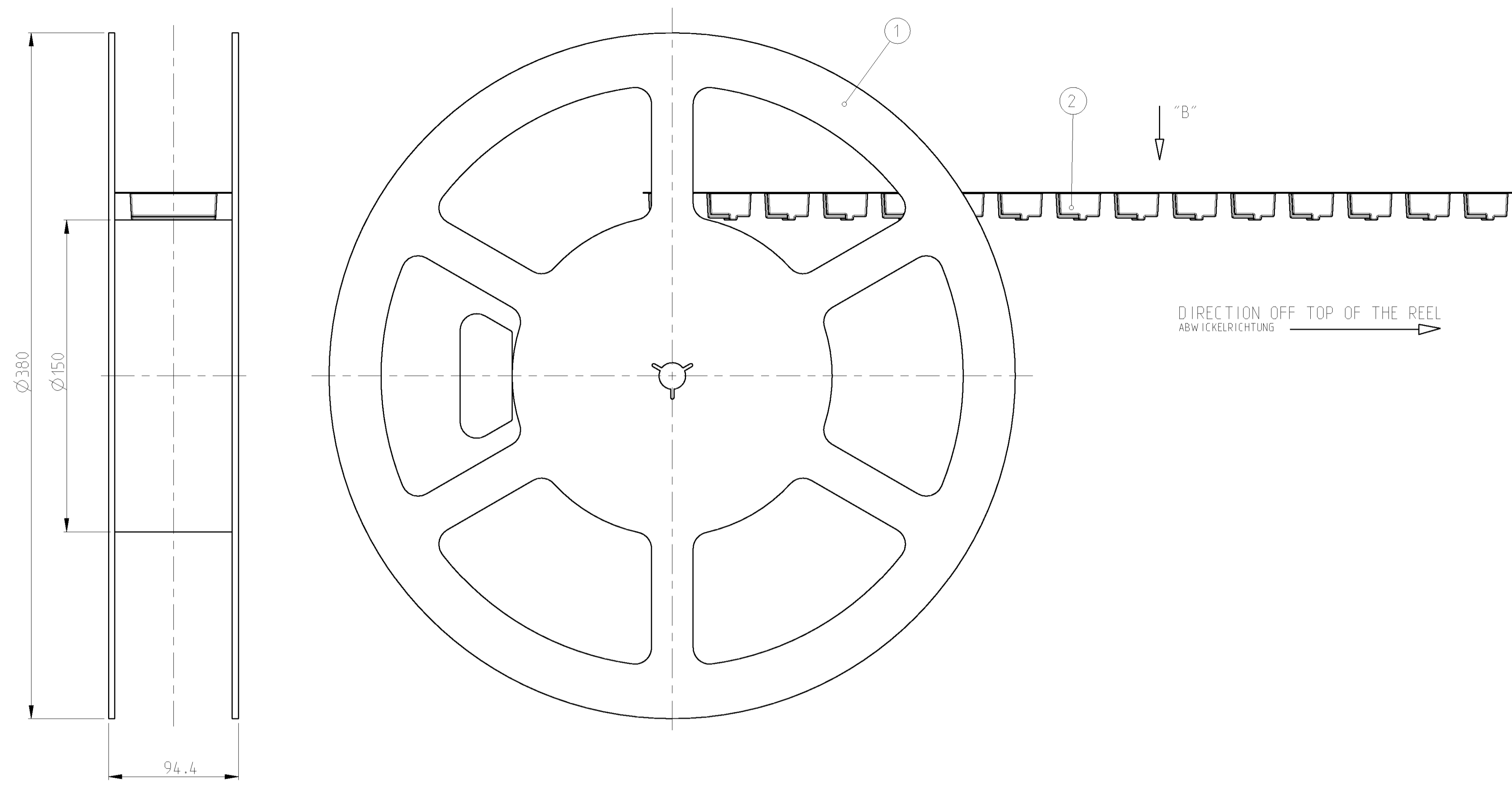


POS.	QTY.	DESCRIPTION	BENENNUNG	SURFACE	MATERIAL
				OBERFLÄCHE	
				COLOUR/FARBE	
6	2	THREAD STUD GEWINDEBOLZEN		NICKEL	STEEL
5	19	REC. CONTACT, SMD, LONG BUCHSENKONTAKT, SMD, LANG		▲	CuMg
4	18	REC. CONTACT, SMD, SHORT BUCHSENKONTAKT, SMD, KURZ		▲	CuMg
3	2	BRACKET, SMD, LEFT/RIGHT BUCHSENGEHÄUSE		▲	CAST METAL
2	1	REC. HOUSING SCHIRMBLECH		BLACK SCHWARZ	PCT-GF
1	1	SHELL SCHIRMBLECH		SEE TABLE SIEHE TABELLE	STEEL STAHL

TYCO ELECTRONICS CORPORATION 1115 BROADWAY, PITTSBURGH, PA 15202 TEL: 412-781-1000 FAX: 412-781-1001 WWW.TYCOELECTRONICS.COM	DATE: 30NOV2004 DRAWING NO.: 01DEC2004 REV: 1 MATERIAL: SEE TABLE S-TABELLE	DESCRIPTION: 15 SCHLÜTER M. SCHAARSCHEIDT	DATE: 30NOV2004 DRAWING NO.: 01DEC2004 REV: 1 MATERIAL: SEE TABLE S-TABELLE	TYCO Electronics AMP GmbH D-6425 Bensheim	DATE: 30NOV2004 DRAWING NO.: 01DEC2004 REV: 1 MATERIAL: SEE TABLE S-TABELLE
---	--	--	--	--	--

**ABSOLUTE NOT THE LATEST REVISION**

LOC	DIST	REV	DATE	BY	APPV
A1	-	-	-	-	-



**REMARKS:**

- COVER TAPE WITH BLISTER BELT WELDED OR PASTED
- BLISTER BELT, COVER AND TAPE ACC. TO DIN/IEC 286 PART 3
- FIRST AND LAST RUNNING OF THE CARRIER TAPE ACC. TO DIN/IEC 286 PART 3
- 6.4m BLISTERBELT AND 6.5m COVER TAPE, 200 LOOSE PIECE PARTS

**BEMERKUNGEN:**

- ABDECKBAND MIT BLISTERGURT VERSCHWEIßT ODER VERKLEBT
- BLISTERGURT, ABDECKBAND UND REEL NACH DIN/IEC 286 TEIL 3
- VOR- UND NACHLAUF AM BLISTERGURT NACH DIN/IEC 286 TEIL 3
- 6.4m BLISTERGURT UND 6.5m ABDECKBAND, 200 EINZELTEILE

TYCO ORDER NO. BESTELL-NR.	POS.	TYCO PART NO.					DESCRIPTION	SURFACE OBERFLAECHE COLOUR/FARBE	MATERIAL
		4-1740200-2	3-1740200-2	2-1740200-2	1-1740200-2	0-1740200-2			
1740200	4	200	-	-	-	-	SUB-D REC. HEADER, 37 POS., STUD M3 SUB-D BUCHSENSTECKER, 37 POL., BOLZEN M3	-	-
	4	-	200	-	-	-	SUB-D REC. HEADER, 37 POS., STUD UNC4-40 SUB-D BUCHSENSTECKER, 37 POL., BOLZEN UNC4-40	-	-
	4	-	-	200	-	-	SUB-D REC. HEADER, 37 POS., M3 SUB-D BUCHSENSTECKER, 37 POL., M3	-	-
	4	-	-	-	200	-	SUB-D REC. HEADER, 37 POS., UNC4-40 SUB-D BUCHSENSTECKER, 37 POL., UNC4-40	-	-
	4	-	-	-	-	200	SUB-D REC. HEADER, 37 POS. SUB-D BUCHSENSTECKER, 37 POL.	-	-
	3	6.5m	6.5m	6.5m	6.5m	6.5m	COVER BELT FOR BLISTER BELT ABDECKBAND FÜR BLISTERGURT	TRANSPARENT	PET
	2	6.4m	6.4m	6.4m	6.4m	6.4m	BLISTER BELT BLISTERGURT	GREY/BLACK GRAU/SCHWARZ	PS
1	1	1	1	1	1	REEL-PACKING MEHRWEGSPULE	GREY GRAU	PS	

DIMENSIONS: mm		TOLERANCES UNLESS OTHERWISE SPECIFIED:		DRAWN: L. SCHLUETER 30NOV2004		Tyco Electronics AMP GmbH D - 64625 Bensheim	
		0 PLC ± 1 PLC ± 2 PLC ± 3 PLC ± 4 PLC ± ANGLES ±		EN 13720 01DEC2004 M. SCHAARSMIDT APVD: F. FELDMEIER PRODUCT SPEC: - APPLICATION SPEC: - WEIGHT: - CUSTOMER DRAWING: -		NAME: HDP20 REC. HEADER; SMT; 37 POS. HDP20 BUCHSENSTECKER; SMT; 37 POL. EUROSTYLE SIZE: A1 CAGE CODE: 00779 DRAWING NO: C=1740200 RESTRICTED TO: - SCALE: 5:1 SHEET: 2 OF 2 REV: A4	