

PLEASE CHECK WWW.MOLEX.COM FOR LATEST PART INFORMATION

Part Number: **0716268000**
Status: **Active**
Overview: LFH™ Interconnect System
Description: 1.27mm Pitch LFH™ Matrix 50 Receptacle, Shielded, 160 Circuits, Right Angle, PC Tail Length 2.33mm

Documents:

[3D Model](#) [Product Specification PS-71626-001 \(PDF\)](#)
[Drawing \(PDF\)](#) [RoHS Certificate of Compliance \(PDF\)](#)

Agency Certification

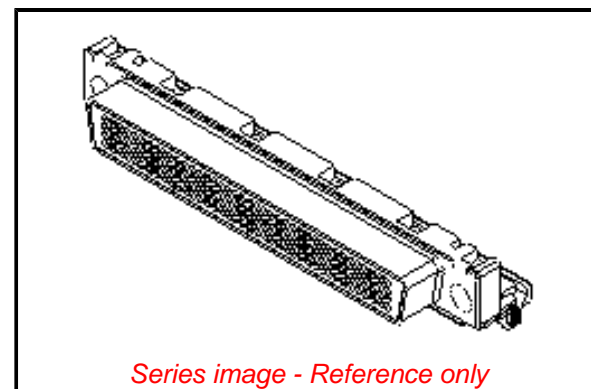
CSA LR19980
 UL E29179

General

Product Family I/O Connectors
 Series 71626
 Application Board-to-Board, Wire-to-Board
 Component Type Receptacle
 Overview LFH™ Interconnect System
 Product Name LFH™
 Type N/A
 UPC 800754351324

Physical

Boot Color N/A
 Circuits (Loaded) 160
 Circuits (maximum) 160
 Color - Resin Black
 Durability (mating cycles max) 500
 Flammability 94V-0
 Gender Receptacle
 Keying to Mating Part None
 Lock to Mating Part Yes
 Material - Metal Beryllium Copper
 Material - Plating Mating Gold
 Material - Plating Termination Tin
 Material - Resin High Temperature Thermoplastic
 Number of Rows 4
 Orientation Right Angle
 PC Tail Length 2.34mm
 PCB Locator Yes
 Packaging Type Tube
 Panel Mount Yes
 Pitch - Mating Interface 1.27mm
 Pitch - Termination Interface 1.27mm
 Plating min - Mating 0.762µm
 Plating min - Termination 2.540µm
 Polarized to Mating Part Yes
 Polarized to PCB Yes
 Ports 1
 Surface Mount Compatible (SMC) Yes
 Temperature Range - Operating -20°C to +80°C
 Termination Interface: Style Through Hole
 Waterproof / Dustproof No
 Wire Size AWG N/A



Series image - Reference only

EU ELV

Not Reviewed

EU RoHS

Not Reviewed

REACH SVHC

Not Reviewed

Halogen-Free

Status

Not Reviewed

Need more information on product environmental compliance?

Email productcompliance@molex.com
 Please visit the [Contact Us](#) section for any non-product compliance questions.

China ROHS	Not Reviewed
ELV	Not Reviewed
RoHS Phthalates	Not Reviewed

Search Parts in this Series

71626 Series

Mates With

71624 LFH™ Plug

Use With

71628 Guide Pin. Guide Sleeve 71629 ,
71771. 70982 Hex Screw Kit

Electrical

Current - Maximum per Contact	1.0A
Grounding to Panel	Yes
Shield Type	Full Shield
Shielded	Yes
Voltage - Maximum	40V AC (RMS)

Material Info**Reference - Drawing Numbers**

Product Specification	PS-71626-001
Sales Drawing	SDA-71626-800*

This document was generated on 12/07/2016

PLEASE CHECK WWW.MOLEX.COM FOR LATEST PART INFORMATION