



# BD5 Bluetooth Interface

## Features

- \*Bluetooth 4.0 wireless for DALI systems
- \*Simple control through iDALI APP
- \*Capable of multiple BD5 parallel connection
- \*Automatic data synchronization among connection all BD5
- \* Supports brightness, ON/OFF, scenes storage or recall and planning for DALI installations
- \*Powered directly from the DALI bus



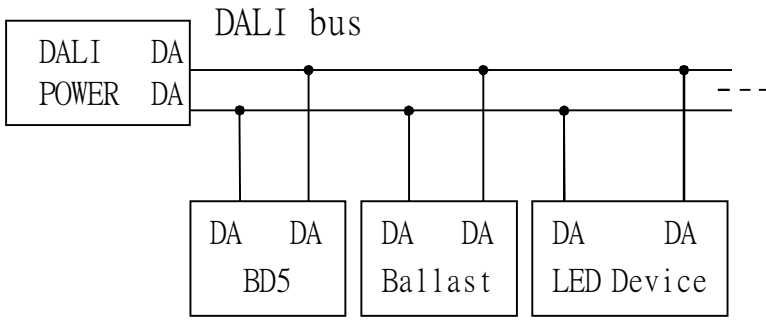
## Specifications

1. Bluetooth 4.0 wireless technology requires iOS 5.0 or later/ Android 4.3 or later
2. Power by DALI bus : 10.5~22.5Vdc
3. Current Draw : 30mA
4. Effective Distance : 10m (Unshielded environment)
5. Operating Temperature : 0~50°C

### Note:

- (1) iDALI app in the App Store/ Google play store for free downloadable (select iPhone app when you use iPad to search )
- (2) BD5 Initialize setting time: 160s for DALI data synchronization and collection.  
BD5 Power on/ Start-up time: 30s for DALI data synchronization and collection.

# Installations Drawing



BD5 is a bluetooth interface between your DALI lighting and iDALI APP on your mobile phone.

# Mechanic Drawing

All Dimensions in Inches(mm)

Tolerance Inches:x.xxx±0.02

Millimeters:x.xx±0.5

## TOP VIEW

