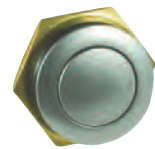


Series 57M-EM

16MM MINIATURE PANEL SEALED METAL

The 57M is a miniature switch designed for rugged environments. The housing is zinc alloy with velour chrome plating. It is available as maintained or momentary action, Electro-mechanical operation with Gold plated contacts and solder terminals. It is ideal for a multitude of applications.



ACTUAL SIZE

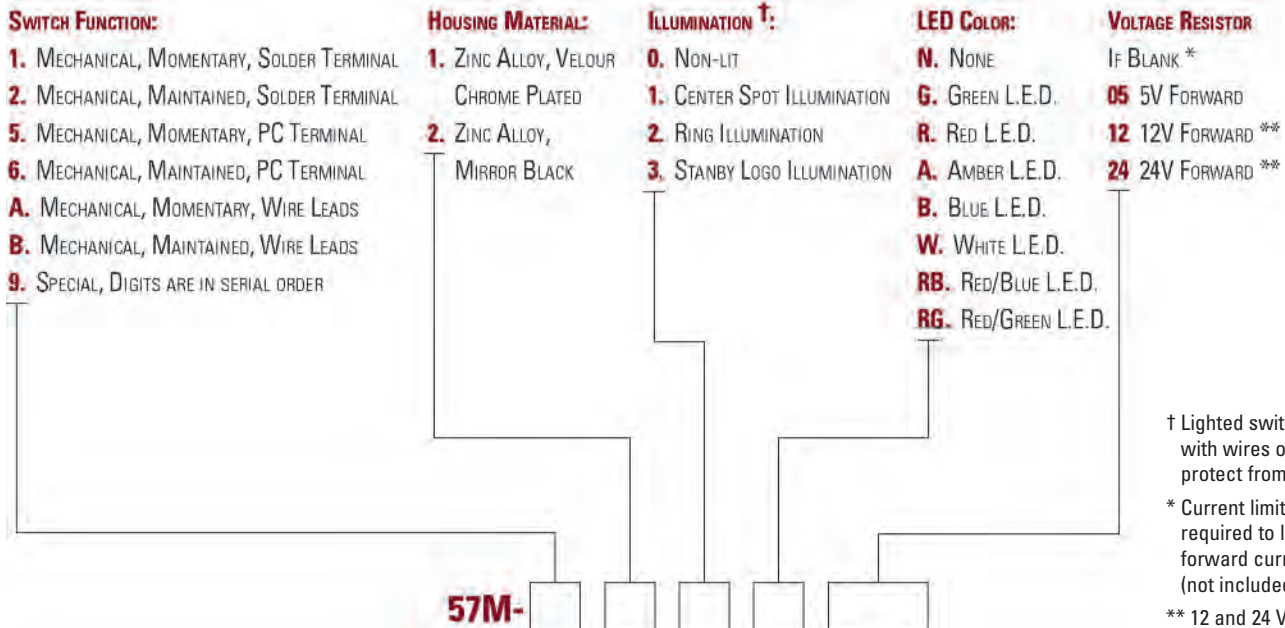
APPLICATIONS

- Security Equipment
- Industrial Control
- Medical Equipment
- Military Equipment
- Food Processing
- Transportation
- Computers

KEY FEATURES:

- Zinc Alloy/Velour Chrome Plated
- Center Spot LED and Non-Lighted Versions
- Maintained or Momentary Action
- Panel Sealed to IP67
- RoHS Compliant
- Electro-Mechanical
- Gold Plated Contacts and Terminals

ORDERING INFORMATION:

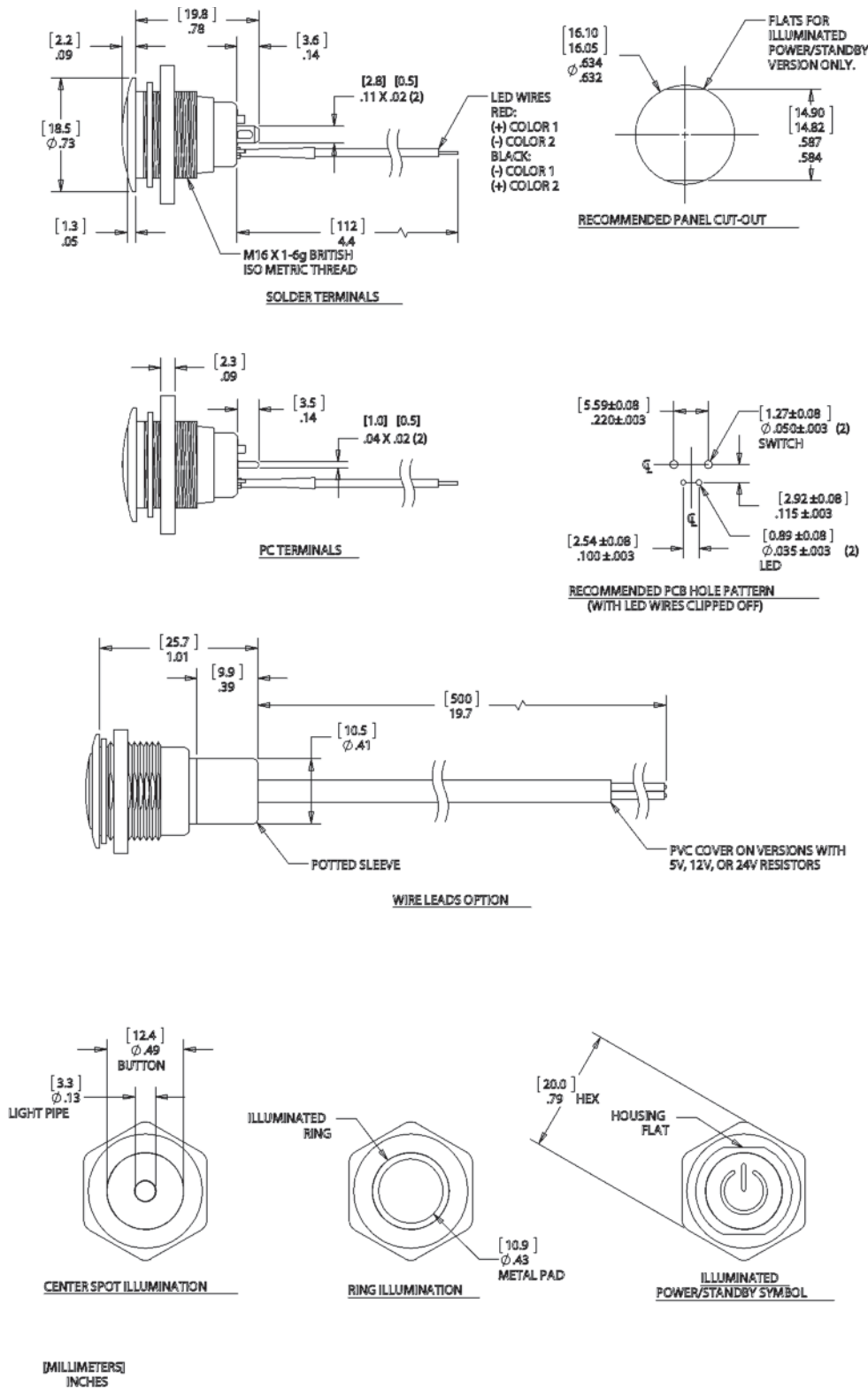


† Lighted switches come with wires on LEDs to protect from solder heat.
 * Current limiting resistor is required to limit LED forward current to 20 mA (not included).
 ** 12 and 24 V resistors are available with wirelead versions only.

STANDARDS / AGENCY / RATINGS:



PRODUCT DRAWINGS



MECHANICAL CHARACTERISTICS

CIRCUIT:

SPST-NO-DB (FORM X)

BUTTON TRAVEL (NOM):

[2.3] .09

OPERATING FORCE (NOM):

[3N] 306g

CONTACT BOUNCE (NOM):

1 ms

PANEL THICKNESS:

[0.0 to 6.0] .00 to .24

NUT TORQUE (MAX):

[11.5 kgf/cm] 10 lb/in

HARDWARE:

BULK PACKAGED SEALING WASHER AND HEX NUT ARE INCLUDED.

ENVIRONMENTAL SPECIFICATIONS

ACTUATOR INGRESS

PROTECTION:

IP67

OPERATING TEMPERATURE:

NON-LIT: [-40 C to +85 C]
-40 F to +185 F

ILLUMINATED: [-25 C to +85 C]
-13 F to +185 F

ELECTRICAL SPECIFICATIONS

CURRENT RATING (resistive):

250mA @ 12VDC, 100K CYCLES

150mA @ 28VDC, 150K CYCLES
(MOMENTARY)

100mA @ 48VDC, 100K CYCLES

10mA @ 12VDC, 1 MILLION CYCLES
(MOMENTARY)

DIELECTRIC STRENGTH:

1,000 VAC

INSULATION RESISTANCE:

1G OHM

CONTACT RESISTANCE:

50m OHMS

WIRE LEADS:

UL STYLE 1007

26 AWG, STRANDED