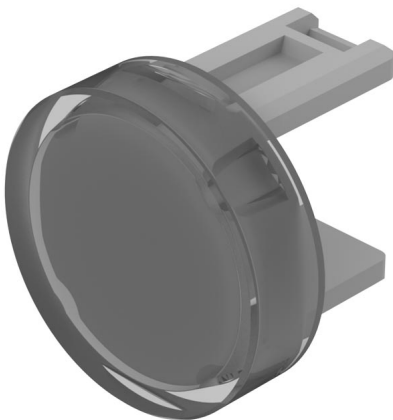


EAO – Your Expert Partner for Human Machine Interfaces

01-931.9 - Lens plastic

01-931.9 - Lens plastic



Attention: The preview is based on a sample product. This can differ from your current configuration.

Other Attributes

Weight	0,001 kg
Dimension	Ø 15.8 mm

Operating-/Indication part

Lens optics	translucent
Lens colour	white
Lens material	Plastic
Lens profile	flat
Lens illumination	illuminative