

4

3

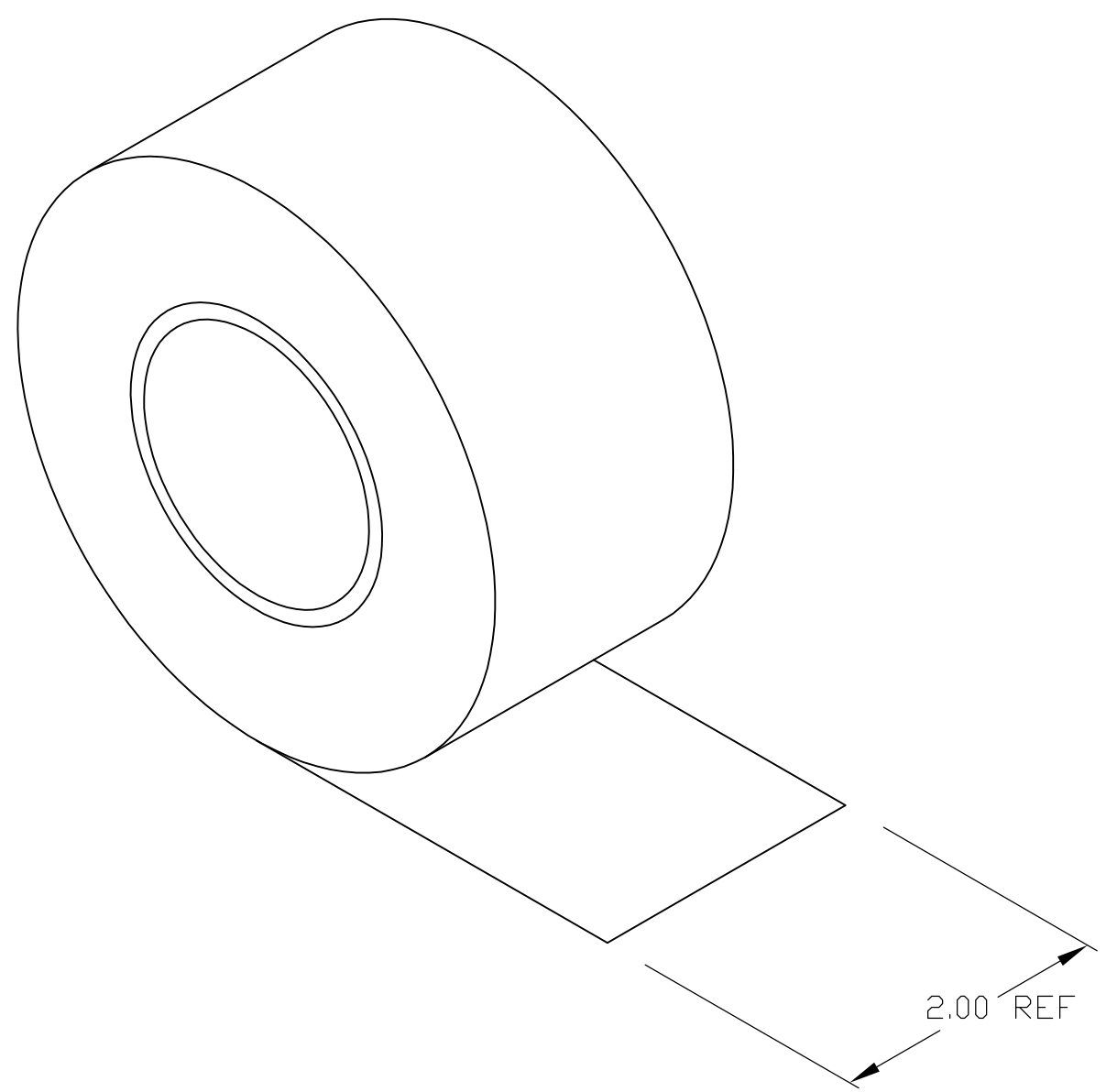
2

1

THIS DRAWING IS UNPUBLISHED. RELEASED FOR PUBLICATION - , - .
 © COPYRIGHT - BY TYCO ELECTRONICS CORPORATION. ALL INTERNATIONAL RIGHTS RESERVED.

LOC	DIST	REVISIONS					
HM	00	P	LTR	DESCRIPTION	DATE	DWN	APVD
			C	REV ECO-10-023675	22NOV2010	LH	SJ

1. ALL DIMENSIONS ARE FOR REFERENCE ONLY.
 2. .013 THICK x 60 YARDS PER ROLL.
- △3 MATERIAL: ADHESIVE BACKED POLYETHYLENE COATED COTTON CLOTH (BLACK).



553481-1
PART NUMBER

THIS DRAWING IS A CONTROLLED DOCUMENT.		DWN	L. HALL	22MAR04	Tyco Electronics Corporation Harrisburg, PA 17105-3608																
DIMENSIONS: INCHES		CHK	S. MUIR	22MAR04				NAME													
		TOLERANCES UNLESS OTHERWISE SPECIFIED:		APVD	TAPE, MULTI-PURPOSE, WATERPROOF																
<table border="0"> <tr><td>0 PLC</td><td>± -</td></tr> <tr><td>1 PLC</td><td>± -</td></tr> <tr><td>2 PLC</td><td>± -</td></tr> <tr><td>3 PLC</td><td>± -</td></tr> <tr><td>4 PLC</td><td>± -</td></tr> <tr><td>ANGLES</td><td>± -</td></tr> </table>		0 PLC	± -	1 PLC	± -	2 PLC	± -	3 PLC	± -	4 PLC	± -	ANGLES	± -	PRODUCT SPEC		SIZE			CAGE CODE	DRAWING NO	RESTRICTED TO
0 PLC	± -																				
1 PLC	± -																				
2 PLC	± -																				
3 PLC	± -																				
4 PLC	± -																				
ANGLES	± -																				
MATERIAL		FINISH		APPLICATION SPEC		A3 00779 C-553481		-													
- △3		-		WEIGHT		CUSTOMER DRAWING		SCALE	SHEET	REV											
						NTS		1 OF 1	C												