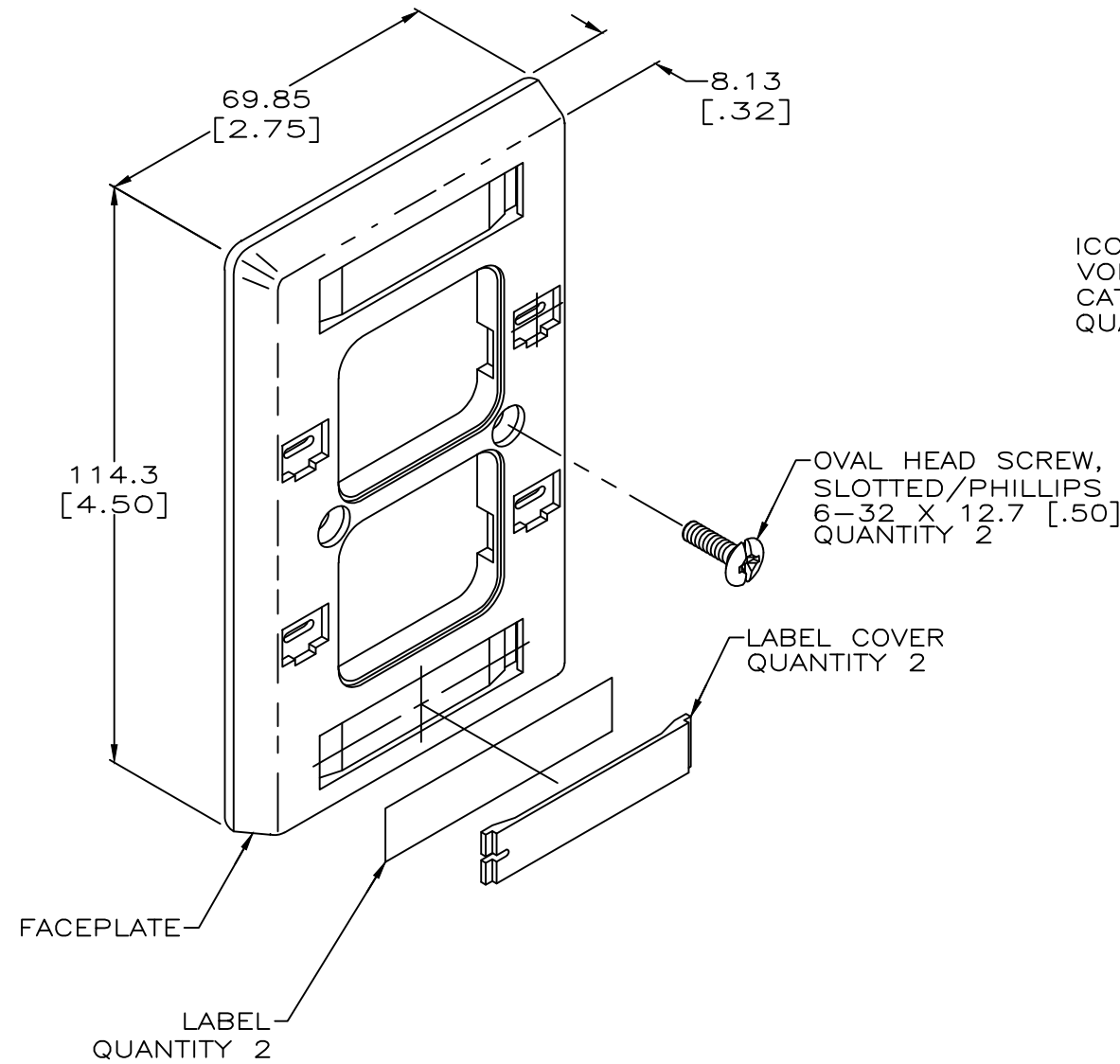


THIS DRAWING IS UNPUBLISHED. RELEASED FOR PUBLICATION
 © COPYRIGHT BY TYCO ELECTRONICS CORPORATION. ALL INTERNATIONAL RIGHTS RESERVED.

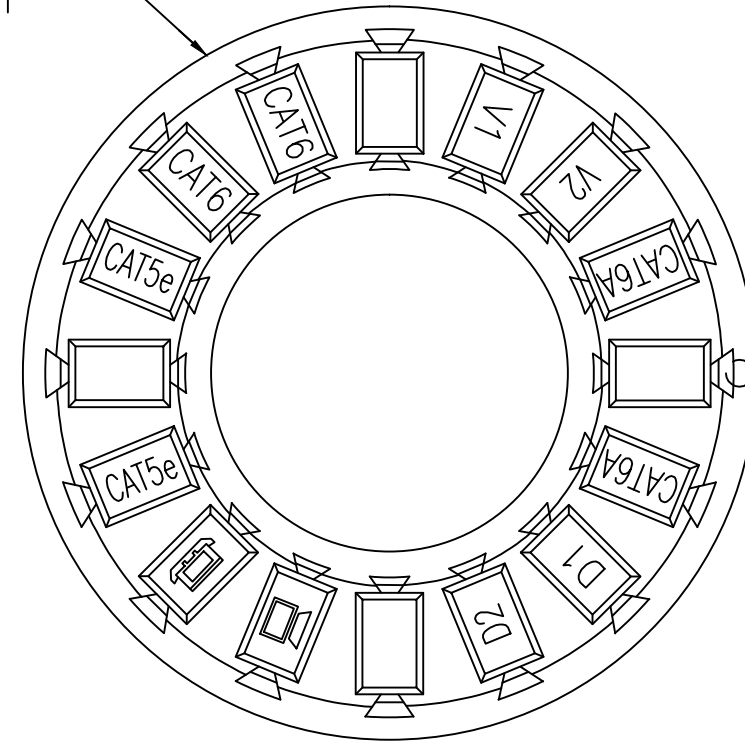
LOC	DIST	REVISIONS			
P	LTR	DESCRIPTION	DATE	DWN	APVD
HM	00	B1 REV; MCO-40027764MCO	11JAN2016	HG	RA

⚠ MATERIAL:
 FACEPLATE - ABS MOLDING COMPOUND. SEE TABLE FOR COLOR.
 ICONS - ABS MOLDING COMPOUND.
 SCREWS - ZINC PLATED CARBON STEEL.
 LABEL COVER - POLYCARBONATE MOLDING COMPOUND CLEAR.
 LABEL - WHITE INDEX PAPER.

2. KIT SHIPPED NOT ASSEMBLED.



ICON WHEEL, VOICE, DATA, CATEGORY QUANTITY 1



ELEC IVORY	406089-6
WHITE	406089-5
BLACK	406089-3
LIGHT ALMOND	406089-1
COLOR	PART NO.

THIS DRAWING IS A CONTROLLED DOCUMENT.		DWN T. SPRINKLE 25OCT96	Tyco Electronics Corporation Harrisburg, PA 17105-3608	
DIMENSIONS: mm [INCHES]		CHK N. JONES 21JAN97	NAME M. MILLER 21JAN97	
TOLERANCES UNLESS OTHERWISE SPECIFIED: 0 PLC ± - 1 PLC ± - 2 PLC ± 0.25[.01] 3 PLC ± - 4 PLC ± - ANGLES ± - FINISH		APVD M. MILLER 21JAN97	PRODUCT SPEC APPLICATION SPEC	
MATERIAL		WEIGHT	SIZE A2	CAGE CODE 00779
⚠		DRAWING NO C-406089		RESTRICTED TO
		CUSTOMER DRAWING		SCALE 1:1 SHEET 1 of 1 REV B1