

PLEASE CHECK WWW.MOLEX.COM FOR LATEST PART INFORMATION

Part Number: [0879190111](#)
Status: **Active**
Description: 1.00mm Pitch DDR-2 DIMM Socket, 25 Degree Reverse Angle, Through Hole, Natural Latches, 240 Circuits, 1.8V Voltage Key, 3.18mm Tail Length, 0.38µm Gold (Au) Plating, Lead-Free

Documents:

[3D Model](#) [Product Specification PS-87919-006-001 \(PDF\)](#)
[Drawing \(PDF\)](#) [RoHS Certificate of Compliance \(PDF\)](#)

General

Product Family	Memory Module Sockets
Series	87919
Component Type	Socket
JEDEC Outline	MO-237
Product Name	DDR2 DIMM
UPC	822350066891

Physical

Circuits (Loaded)	240
Durability (mating cycles max)	25
Entry Angle	25° Angle
Housing Color	Black
Keying to Mating Part	Yes
Latch Color	Natural (Off-White)
Material - Plating Mating	Gold
Material - Plating Termination	Tin
Material - Resin	High Temperature Thermoplastic
Net Weight	11.336/g
PC Tail Length	3.18mm
PCB Locator	Yes
PCB Retention	Yes
PCB Thickness - Recommended	2.36mm
Packaging Type	Tray
Pitch - Mating Interface	1.00mm
Plating min - Mating	0.381µm
Plating min - Termination	2.540µm
Temperature Range - Operating	-55°C to +85°C
Termination Interface: Style	Through Hole

Electrical

Current - Maximum per Contact	0.5A
Voltage - Maximum	30V
Voltage Key	1.8V

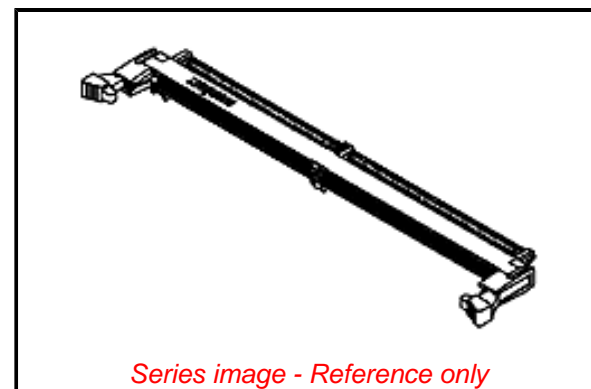
Solder Process Data

Duration at Max. Process Temperature (seconds)	010
Lead-freeProcess Capability	SMC&WAVE
Max. Cycles at Max. Process Temperature	002
Process Temperature max. C	260

Material Info

Reference - Drawing Numbers

Product Specification	PS-87919-006-001
Sales Drawing	SD-87919-001



Series image - Reference only

EU ELV

Not Relevant

EU RoHS

Compliant

REACH SVHC

Not Contained Per -
ED/30/2017 (7 July
2017)

Halogen-Free

Status

Not Low-Halogen

Need more information on product environmental compliance?

Email productcompliance@molex.com
Please visit the [Contact Us](#) section for any non-product compliance questions.

China ROHS	Green Image
ELV	Not Relevant
RoHS Phthalates	Not Contained

Search Parts in this Series

[87919 Series](#)

Mates With

JEDEC Standard 1.27mm Modules

This document was generated on 08/04/2017

PLEASE CHECK WWW.MOLEX.COM FOR LATEST PART INFORMATION