

**PLEASE CHECK WWW.MOLEX.COM FOR LATEST PART INFORMATION**

**Part Number:** [0879700001](#)  
**Status:** **Active**  
**Overview:** Serial Attached SCSI (SAS) Connectors  
**Description:** 1.27mm Signal Pitch, 0.80mm SCSI Pitch, 1.27mm Power Pitch SAS 6G Receptacle, Vertical, Through Hole, with Straight Solder Tab, 29 Circuits, Lead-Free

**Documents:**

[3D Model](#) [Packaging Specification PK-87970-001 \(PDF\)](#)  
[Drawing \(PDF\)](#) [RoHS Certificate of Compliance \(PDF\)](#)  
[Product Specification PS-87970-003-001 \(PDF\)](#)

**Agency Certification**

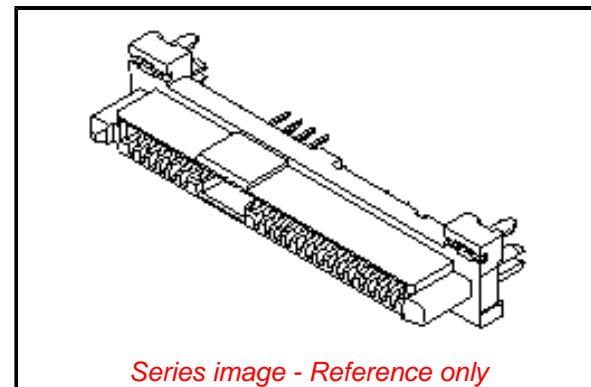
CSA LR19980  
 UL E29179

**General**

Product Family I/O Connectors  
 Series [87970](#)  
 Application Board-to-Board  
 Comments No pick and place cap  
 Component Type Receptacle  
 Overview [Serial Attached SCSI \(SAS\) Connectors](#)  
 Product Name SAS 6G  
 Type N/A  
 UPC 822348803477

**Physical**

Boot Color N/A  
 Circuits (Loaded) 29  
 Circuits (maximum) 29  
 Circuits Detail Signal 14, Power 15  
 Color - Resin Black  
 Durability (mating cycles max) 500  
 Flammability 94V-0  
 Gender Female  
 Keying to Mating Part Yes  
 Lock to Mating Part None  
 Material - Metal Phosphor Bronze  
 Material - Plating Mating Gold  
 Material - Plating Termination Tin  
 Material - Resin High Temperature Thermoplastic  
 Net Weight 1.690/g  
 Number of Rows 2  
 Orientation Vertical  
 PC Tail Length 2.20mm, 2.70mm  
 PCB Locator Yes  
 PCB Retention Yes  
 PCB Thickness - Recommended 1.80mm  
 Packaging Type Tray  
 Panel Mount Yes  
 Pitch - Mating Interface 0.80mm, 1.27mm  
 Pitch - Termination Interface 0.80mm, 1.27mm  
 Plating min - Mating 0.762µm  
 Plating min - Termination 2.540µm  
 Polarized to Mating Part Yes  
 Polarized to PCB Yes  
 Surface Mount Compatible (SMC) Yes



Series image - Reference only

**EU ELV**

**Not Relevant**

**EU RoHS**

**Compliant**

**REACH SVHC**

Not Contained Per  
 -ED/01/2018 (15  
 January 2018)

**Halogen-Free**

**Status**

**Low-Halogen**

**Need more information on product environmental compliance?**

Email [productcompliance@molex.com](mailto:productcompliance@molex.com)  
 Please visit the [Contact Us](#) section for any non-product compliance questions.

China ROHS

ELV

RoHS Phthalates

Green Image

Not Relevant

Not Contained

**Search Parts in this Series**

[87970 Series](#)

**Mates With**

[87679](#) , [87799](#) , [87703](#) , SFF 8482 Hard Disk Drive and Backplane Plug

Temperature Range - Operating	0°C to +55°C
Termination Interface: Style	Through Hole
Waterproof / Dustproof	No
Wire Size AWG	N/A

**Electrical**

Current - Maximum per Contact	1.5A
Shielded	No
Voltage - Maximum	30V

**Solder Process Data**

Duration at Max. Process Temperature (seconds)	010
Lead-free Process Capability	SMC&WAVE
Max. Cycles at Max. Process Temperature	001
Process Temperature max. C	260

**Material Info****Reference - Drawing Numbers**

Packaging Specification	PK-87970-001
Product Specification	PS-87970-003-001
Sales Drawing	SD-87970-001

This document was generated on 07/16/2018

**PLEASE CHECK [WWW.MOLEX.COM](http://WWW.MOLEX.COM) FOR LATEST PART INFORMATION**