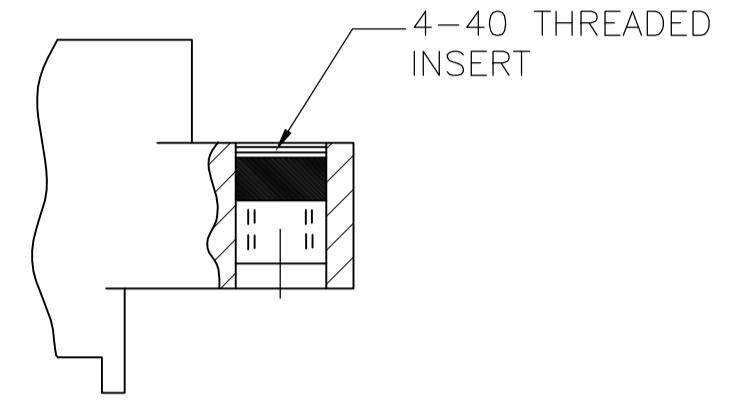
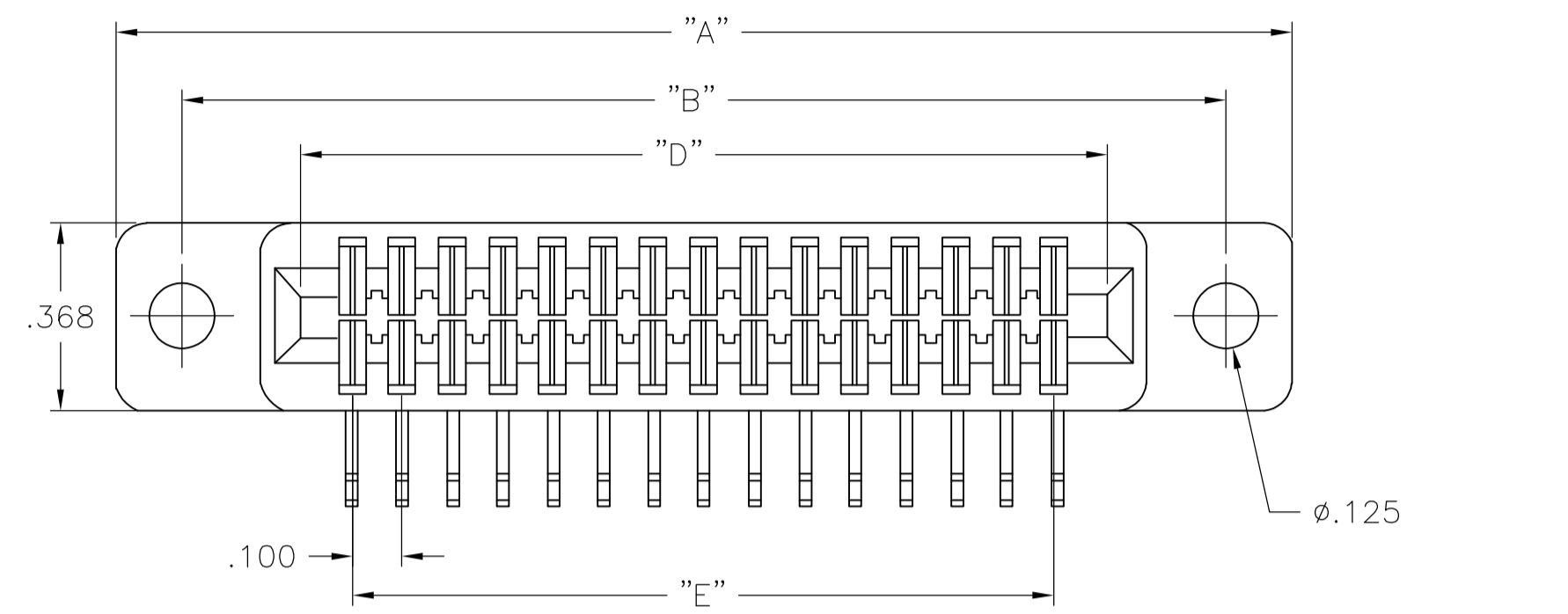
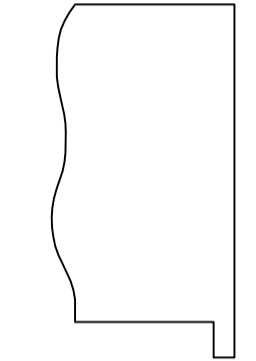
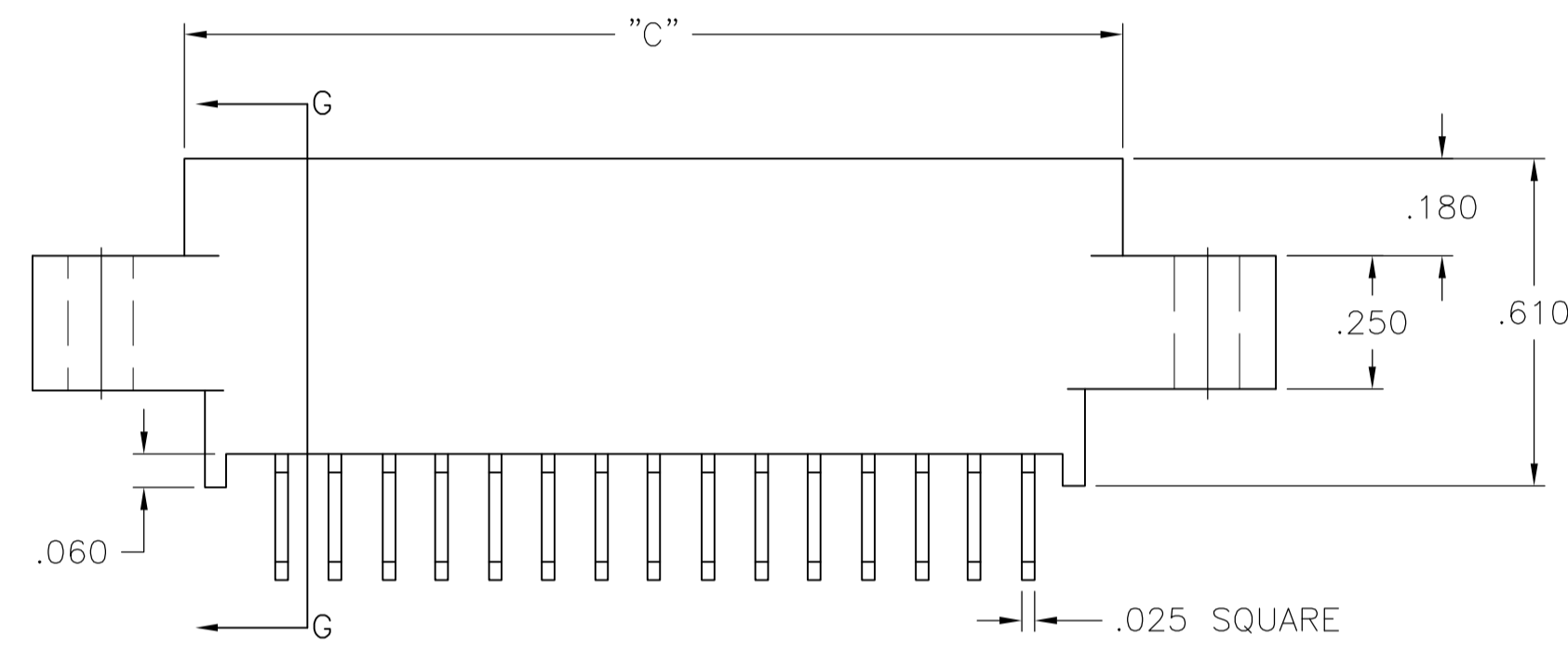


REVISIONS					
REV	DATE	DESCRIPTION	BY	CHK	APPV
B	20JAN2017	REVISED PER ECO-16-016569	SY	SY	SY

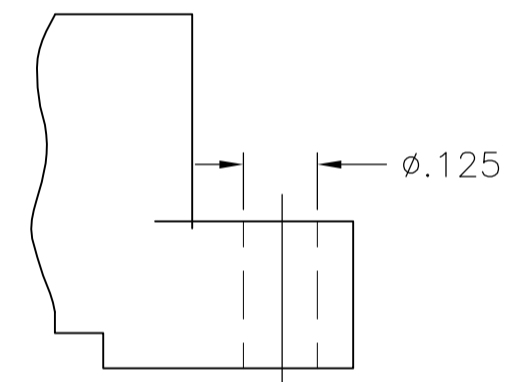
PHYSICAL PROPERTIES	
INSULATION MATERIAL	GLASS FILLED THERMOPLASTIC RATED 94V-0
COLOR	BLACK
CONTACT MATERIAL	HIGH STRENGTH COPPER ALLOY
CONTACT PLATING	MATING AREA - GOLD OVER NICKEL TAIL AREA - TIN/LEAD
ELECTRICAL PROPERTIES	
CURRENT RATING	3 AMPERES
INSULATION RESISTANCE	5000 MEGOHMS MINIMUM
DIELECTRIC STRENGTH	600 VDC AT SEA LEVEL
ENVIRONMENTAL PROPERTIES	
TEMPERATURE RATING	-40°C TO +100°C
MECHANICAL PROPERTIES	
MATING FORCES	8 OZ/PAIR MAX.
UNMATING FORCES	2 OZ/PAIR MAX.



MOUNTING STYLE "B"

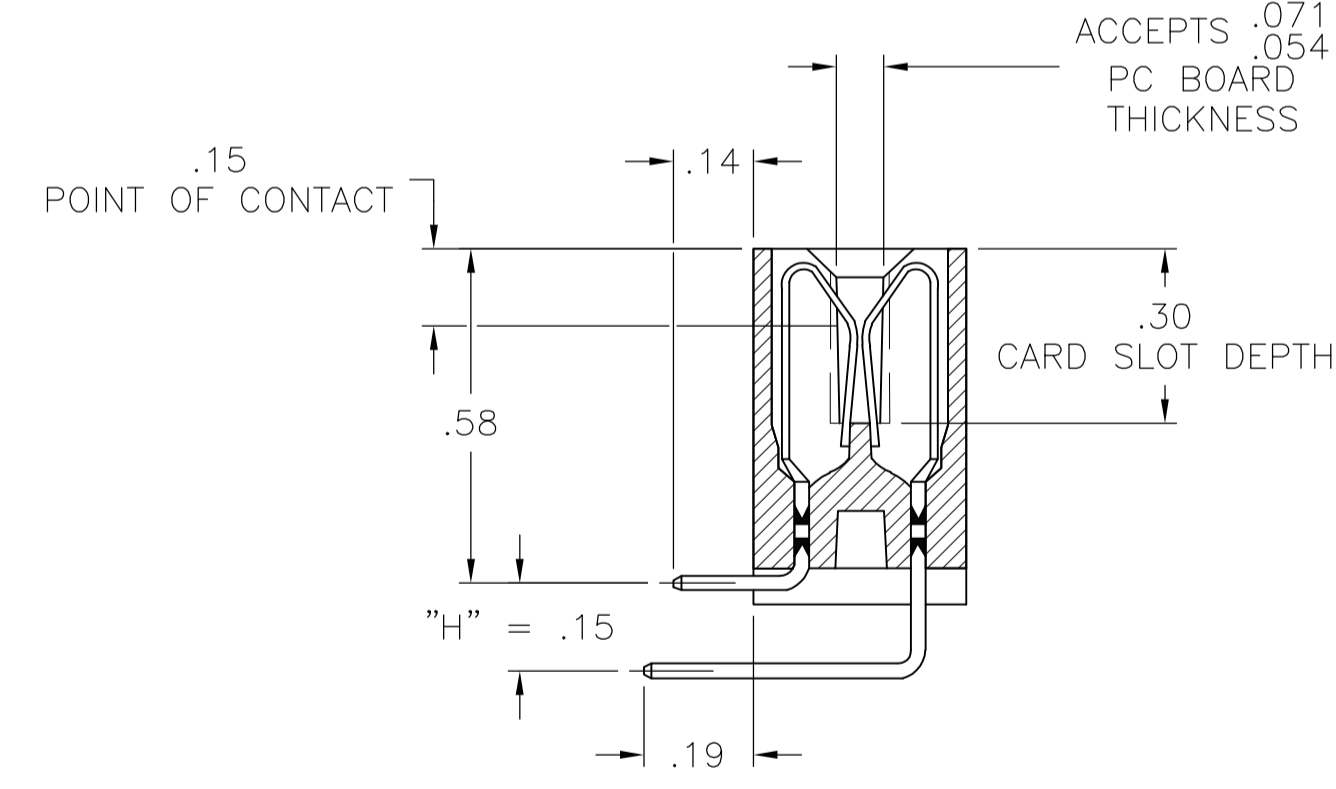


MOUNTING STYLE "C"

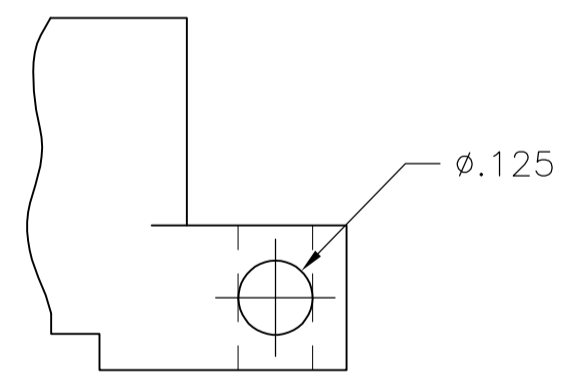


MOUNTING STYLE "D"

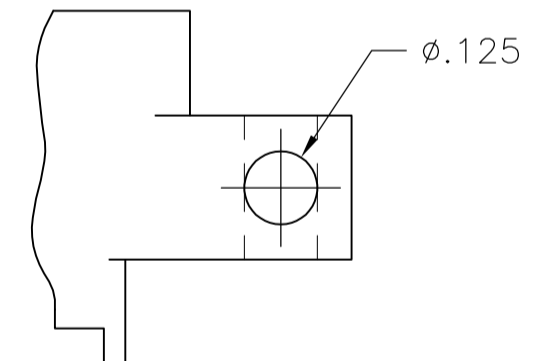
MOUNTING STYLE "A" 15 POSITION ILLUSTRATED (ADDITIONAL MOUNTING STYLES ARE SHOWN)



SECTION G-G



MOUNTING STYLE "F"



MOUNTING STYLE "E"

CATALOG NUMBER CODE DESCRIPTION

A8 D \*\* RA 29 \* M233

SERIES DESIGNATOR (.100 CENTER LINE)

DOUBLE READOUT

NUMBER OF CONTACT ROWS  
10,12,15,18,20,22,25,28,30,31,35,36,40,43,44,50,60,65

TERMINATION STYLE (RIGHT ANGLE DIP SOLDER)

CONTACT PLATING (GOLD/TIN PLATE)

SPECIAL OR CUSTOMER MODIFICATION "M" FOLLOWED BY THREE DIGIT FACTORY ASSIGNED NUMBER

MOUNTING STYLE  
A= .125 DIA MOUNTING HOLES  
B= 4-40 THREADED INSERTS  
C= WITHOUT MOUNTING EARS  
D= FLUSH MOUNT/.125 DIA MOUNTING HOLES  
E= CROSS-DRILLED STANDARD EAR  
F= CROSS-DRILLED FLUSH MOUNT EAR

POLARIZING KEY AVAILABLE: CAT. NO. "96014-01"

NO. OF CONTACT ROWS	NO. OF CONTACTS	DIM "A"	DIM "B"	DIM "C"	DIM "D"	DIM "E"
55	130	7.335	7.075	6.760	6.604	6.400
60	120	6.835	6.575	6.260	6.104	5.900
50	100	5.835	5.575	5.260	5.104	4.900
44	88	5.235	4.975	4.660	4.504	4.300
43	86	5.135	4.875	4.560	4.404	4.200
40	80	4.835	4.575	4.260	4.104	3.900
36	72	4.435	4.175	3.860	3.704	3.500
35	70	4.335	4.075	3.760	3.604	3.400
31	62	3.935	3.675	3.360	3.204	3.000
30	60	3.835	3.575	3.260	3.104	2.900
28	56	3.635	3.375	3.060	2.904	2.700
25	50	3.335	3.075	2.760	2.604	2.400
22	44	3.035	2.775	2.460	2.304	2.100
20	40	2.835	2.575	2.260	2.104	1.900
18	36	2.635	2.375	2.060	1.904	1.700
15	30	2.335	2.075	1.760	1.604	1.400
12	24	2.035	1.775	1.460	1.304	1.100
10	20	1.835	1.575	1.260	1.104	.900

THIS DRAWING IS A CONTROLLED DOCUMENT.

APPROVED: M. MILLER 5/13/09

DATE: 5/13/09

DESIGNED: S. SCHLEGEL 5/13/09

TE Connectivity

NAME: A8 CARD EDGE CONNECTOR (.100 x .150 CENTERS) RIGHT ANGLE DIP SOLDER TAILS

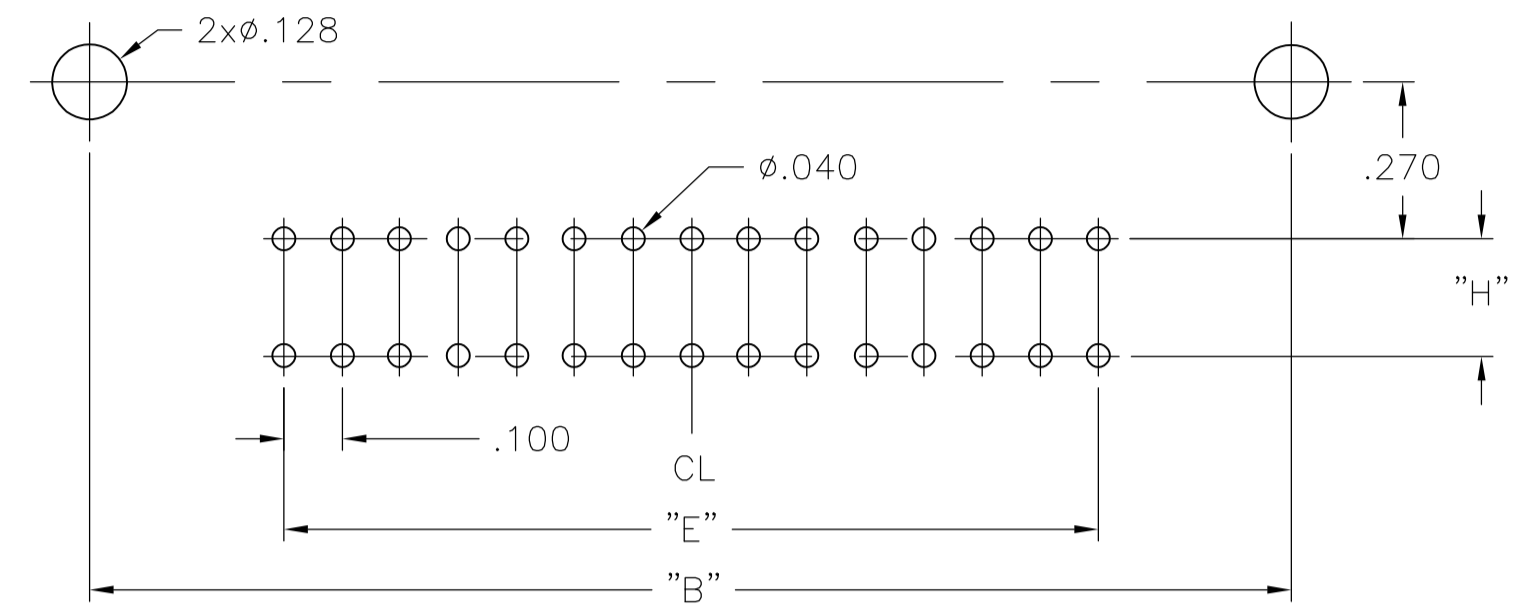
SIZE: A1 CAGE CODE: 00779 DRAWING NO: 1437270-5

WEIGHT: 0

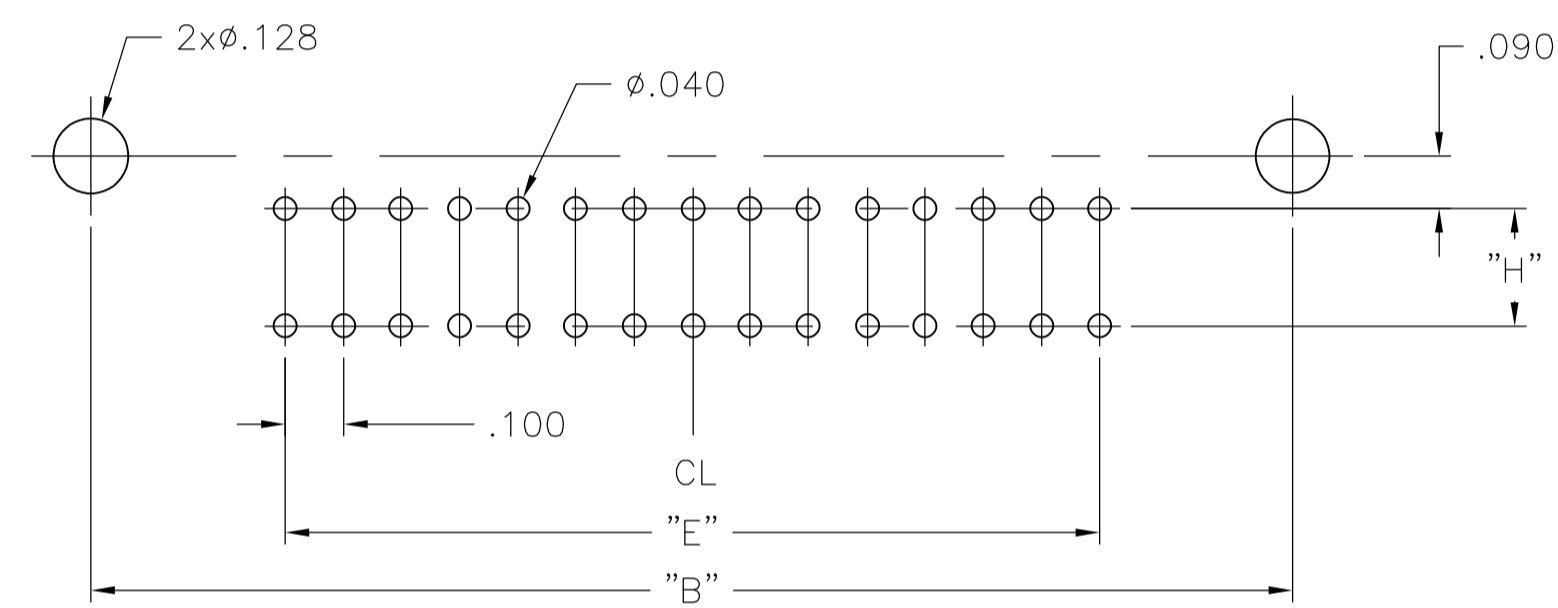
CUSTOMER DRAWING

SCALE: 3:1 SHEET: 1 OF 2 REV: B

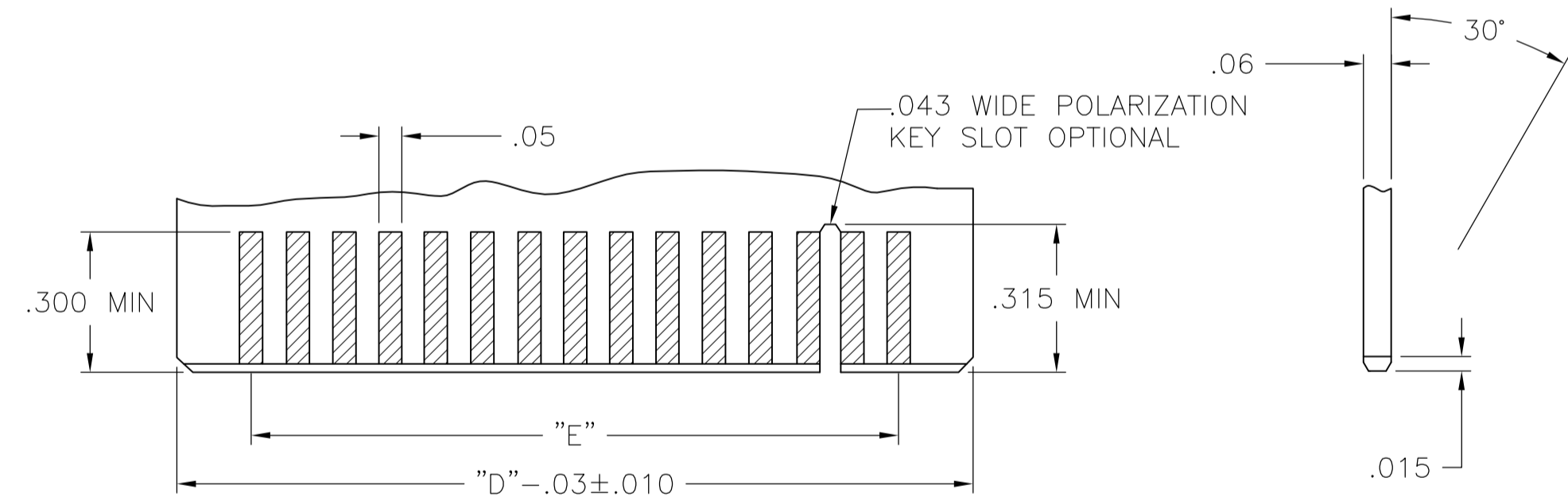
REVISIONS					
P	LTR	DESCRIPTION	DATE	DMN	APVD
-	SEE SHEET 1				



RECOMMENDED PC HOLE PATTERN FOR MOUNTING STYLE "E"



RECOMMENDED PC HOLE PATTERN FOR MOUNTING STYLE "F"



RECOMMENDED PC BOARD

1 OBSOLETE PARTS: OBSOLETE CIS STREAMLINING PER D.RENAUD/D.SINISI

1	1825555-1	11	5-1454264-3	11	5-1454264-1	A8D10RA29FM233LF	1825554-1
1	3-1454268-4	31	1454264-3	31	1454264-1	A8D30RA29CM233	6-1437270-7
1	2-1454268-2	23	1454264-3	23	1454264-1	A8D22RA29EM233	6-1437269-7
1	2-1454268-2	23	5-1454264-3	23	5-1454264-1	A8D22RA29EM233LF	6-6437269-7
1	5-1454268-2	51	1454264-3	51	1454264-1	A8D50RA29BM233	4-1437270-3
1	5-1454268-2	51	5-1454264-3	51	5-1454264-1	A8D50RA29BM233LF	4-6437270-3
1	5-1454268-0	45	1454264-3	45	1454264-1	A8D44RA29CM233	3-1437270-8
1	5-1454268-0	45	5-1454264-3	45	5-1454264-1	A8D44RA29CM233LF	3-6437270-8
1	4-1454268-3	37	1454264-3	37	1454264-1	A8D36RA29EM233	2-1437270-3
1	4-1454268-3	37	5-1454264-3	37	5-1454264-1	A8D36RA29EM233LF	2-6437270-3
1	3-1454268-8	32	1454264-3	32	1454264-1	A8D31RA29CM233	1-1437270-7
1	3-1454268-8	32	5-1454264-3	32	5-1454264-1	A8D31RA29CM233LF	1-6437270-7
1	3-1454268-6	32	1454264-3	32	1454264-1	A8D31RA29BM233	1-1437270-5
1	3-1454268-6	32	5-1454264-3	32	5-1454264-1	A8D31RA29BM233LF	1-6437270-5
1	2-1454268-7	26	1454264-3	26	1454264-1	A8D25RA29FM233	7-1437269-8
1	2-1454268-7	26	5-1454264-3	26	5-1454264-1	A8D25RA29FM233LF	7-6437269-8
1	2-1454268-8	26	1454264-3	26	1454264-1	A8D25RA29CM233	7-1437269-6
1	2-1454268-8	26	5-1454264-3	26	5-1454264-1	A8D25RA29CM233LF	7-6437269-6
1	2-1454268-5	26	1454264-3	26	1454264-1	A8D25RA29AM233	7-1437269-4
1	2-1454268-5	26	5-1454264-3	26	5-1454264-1	A8D25RA29AM233LF	7-6437269-4
1	1-1454268-5	19	1454264-3	19	1454264-1	A8D18RA29FM233	5-1437269-3
1	1-1454268-5	19	5-1454264-3	19	5-1454264-1	A8D18RA29FM233LF	5-6437269-3
1	1-1454268-6	19	1454264-3	19	1454264-1	A8D18RA29CM233	5-1437269-2
1	1-1454268-6	19	5-1454264-3	19	5-1454264-1	A8D18RA29CM233LF	5-6437269-2
1	1-1454268-2	16	1454264-3	16	1454264-1	A8D15RA29FM233	4-1437269-5
1	1-1454268-2	16	5-1454264-3	16	5-1454264-1	A8D15RA29FM233LF	4-6437269-5
1	1-1454268-1	16	1454264-3	16	1454264-1	A8D15RA29EM233	4-1437269-4
1	1-1454268-1	16	5-1454264-3	16	5-1454264-1	A8D15RA29EM233LF	4-6437269-4
1	1-1454268-3	16	1454264-3	16	1454264-1	A8D15RA29CM233	4-1437269-2
1	1-1454268-3	16	5-1454264-3	16	5-1454264-1	A8D15RA29CM233LF	4-6437269-2
1	1454268-9	14	1454264-3	14	1454264-1	A8D13RA29CM233	3-1437269-6
1	1454268-9	14	5-1454264-3	14	5-1454264-1	A8D13RA29CM233LF	3-6437269-6
1	1454268-6	13	1454264-3	13	1454264-1	A8D12RA29EM233	3-1437269-1
1	1454268-6	13	5-1454264-3	13	5-1454264-1	A8D12RA29EM233LF	3-6437269-1
1	1454268-3	11	1454264-3	11	1454264-1	A8D10RA29CM233	2-1437269-3
1	1454268-3	11	5-1454264-3	11	5-1454264-1	A8D10RA29CM233LF	2-6437269-3

1 OBSOLETE

THIS DRAWING IS A CONTROLLED DOCUMENT.

DIMENSIONS: INCHES	TOLERANCES UNLESS OTHERWISE SPECIFIED:	DIN S SCHLEGGEL 5/13/09	APVD M MILLER 5/13/09	NAME
0 PLC ± -	1 PLC ± -	2 PLC ± .10	3 PLC ± .10	4 PLC ± -
ANGLES ± -				
MATERIAL	FINISH	WEIGHT	SIZE A1	CAGE CODE 00779
			DRAWING NO. 1437270-5	RESTRICTED TO
CUSTOMER DRAWING		SCALE 3:1	SHEET 2 OF 2	REV B

**STE** TE Connectivity

A8 CARD EDGE CONNECTOR  
(.100 x .150 CENTERS) RIGHT ANGLE DIP  
SOLDER TAILS