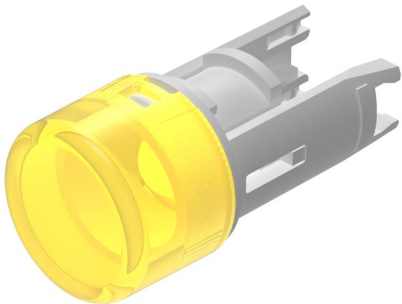


EAO – Your Expert Partner for Human Machine Interfaces

18-931.4L - Lens with LED raised design

18-931.4L - Lens with LED raised design



Attention: The preview is based on a sample product. This can differ from your current configuration.

Other Attributes

Weight	0.001 kg
Dimension	Ø 7.5 mm

Operating-/Indication part

Lens optics	translucent
Lens material	Plastic
Lens colour	yellow
Lens profile	flat
Lens illumination	illuminative