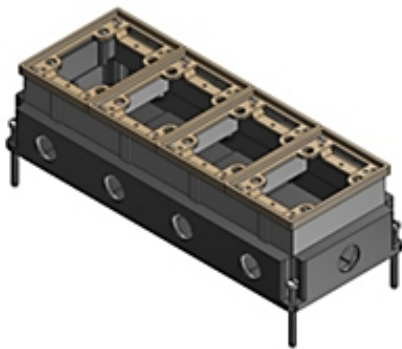




Actual



Representative

Catalog Number: 644
Product ID: 7TAA003040R0005
UPC Number: 78599161837
Status: Active

Four Gang Flush Service Floor Box, 148 Cubic Inches, Length 5-1/2 Inches, Width 12-15/16 Inches, Depth 3-5/8 Inches, 3/4 Inch Conduit Hubs, Cast Iron

- Cast iron watertight body and painted silver enamel inside and out for additional corrosion resistance
- Interior and exterior leveling screws permit adjustment to finished floor with removable partitions for large capacity requirements on 2, 3 and 4 gang.
- Shipped complete with expendable cap to prevent ingress of concrete during pour.

Header

3D Model Available on Website

North American Specifications (UNSPSC)

UNSPSC	39121307 Floor boxes
IGCC	4432 Floor boxes
Brand Name	Steel City
Type	Flush Service
Special Features	Fully adjustable
Application	Ideal for the modern office with workstations that have power, communications and data equipment
Standard	UL E2969
Material	Cast Iron
Cubic Capacity	148 Cubic Inches
Knockouts	Yes

European Specifications (ETIM)

ETIM	EC000024 Installation box for underfloor-installation
Cover model	Rectangular
Suitable for wet cleaning	N
Suitable for hollow floor	Y
Material	Other
With opening carpeting	N
Min. built-in depth	3.625mm
Colour	Other
Length external dimension	139.7mm
Width outside dimension	328.5998mm

Packaging

Outer Quantity	1
Outer Dimensions (inches)	15.2x5.4x7.3
Weight Uom	1375 lbs. per 100

Documents / Support Tools

Technical Data Sheet US	Available on Website
Technical Data Sheet CA	Available on Website

For further technical assistance, please contact us...

Thomas & Betts - USA
 8155 T&B Blvd.
 Memphis, TN 38125
 www.tnb.com

T&B Technical Support
 MS 3B-50
 8155 T&B Blvd.
 Memphis, TN 38125

Hours: 7AM - 6PM CDT
 Monday-Friday
 Phone: (888) 862-3289
 Fax: (901) 252-1321
 Email: techsupport@tnb.com