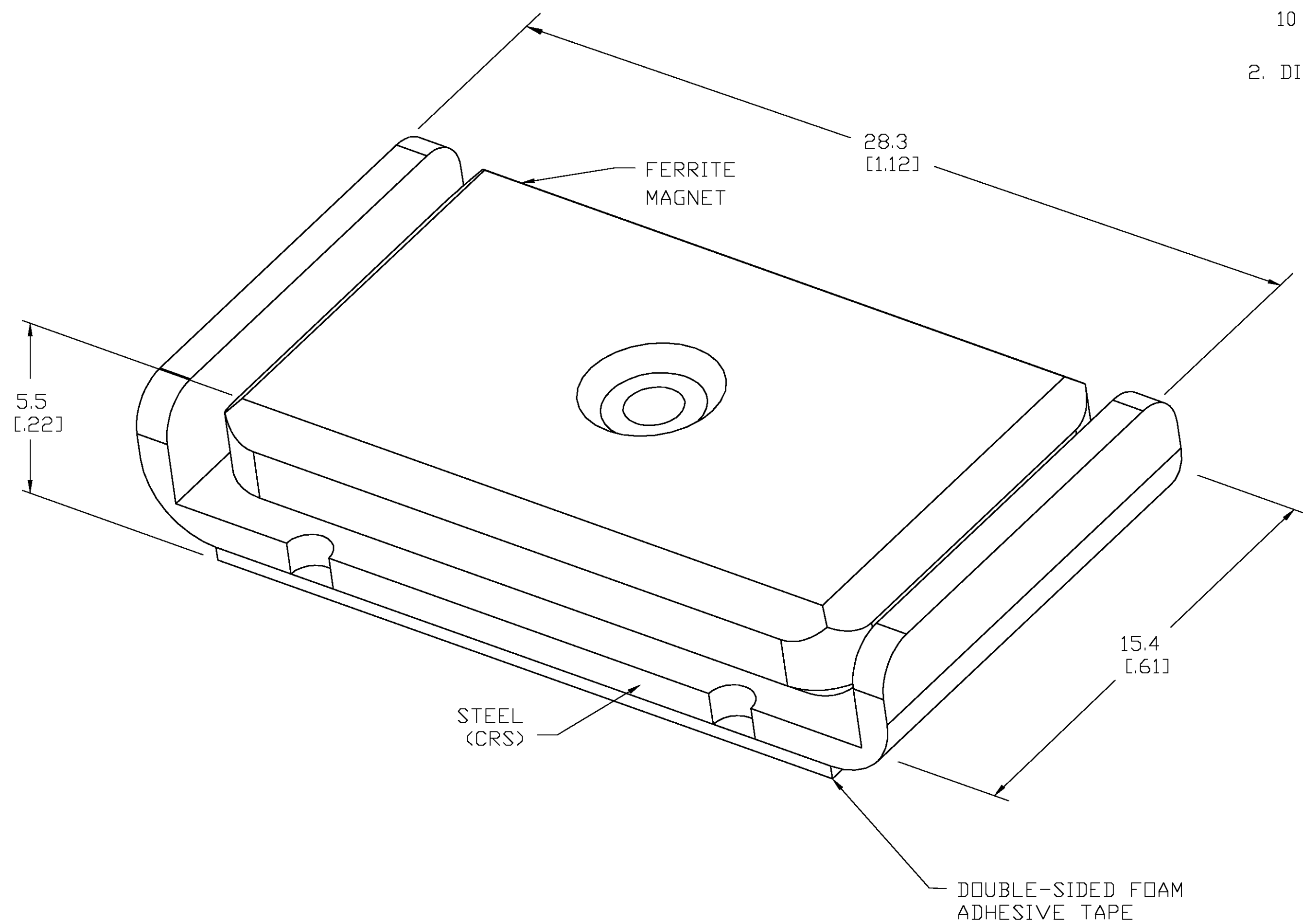


THIS DRAWING IS UNPUBLISHED. RELEASED FOR PUBLICATION  
 © COPYRIGHT BY TYCO ELECTRONICS CORPORATION. ALL RIGHTS RESERVED.

LOC	DIST	REVISIONS			
P	LTR	DESCRIPTION	DATE	DWN	APVD
HM	00	A	RLSD PER NSD02-142	24FEB03	LH GB

1. PACKAGE 4 MAGNETS PER POLYBAG, 10 POLYBAG PER BOX.
2. DIMENSIONS FOR REFERENCE ONLY.



1479398-1  
 PART NO.

THIS DRAWING IS A CONTROLLED DOCUMENT.		DWN L. HALL	21FEB03	<b>tyco</b> Electronics	Tyco Electronics Corporation Harrisburg, PA., 17105-3608	
DIMENSIONS: MM [INCHES]		CHK G. BOWMAN	24FEB03		NAME MAGNET, SURFACE MOUNT	
TOLERANCES UNLESS OTHERWISE SPECIFIED:		APVD G. BOWMAN	24FEB03	PRODUCT SPEC		
0 PLC ± -		APPLICATION SPEC		SIZE A2		
1 PLC ± -		WEIGHT		CAGE CODE 00779		DRAWING NO 1479398
2 PLC ± -		MATERIAL		SCALE 2:1		SHEET 1 OF 1
3 PLC ± -		FINISH		RESTRICTED TO		REV A
4 PLC ± -		CUSTOMER DRAWING				
ANGLES ± ± -						