

2D Drawing	IGES	STEP	3D PDF
Solder Profile	CofC RoHS Compliant	CofC REACH Compliant	UL Plastic File
Certificate of Origin	Check Stock	Request a Sample	Send Us An Email

Generated Part Number

D-SUBMINIATURE Hardware:

Hardware

Dimensions in mm

JSX-1000

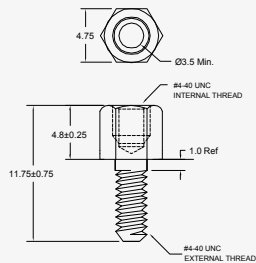
#4-40 Female Hex. Jackscrew Bulk

Material Finish

Body: Copper Alloy

Finish: Nickel

(500/Bag)



JSX-1055

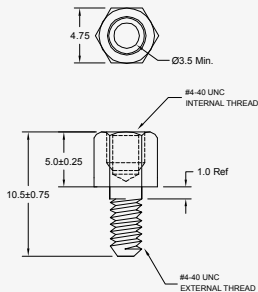
#4-40 Female Hex. Jackscrew Bulk

Material Finish

Body: Copper Alloy

Finish: Nickel

(500/Bag)



JSX-1055-5.9

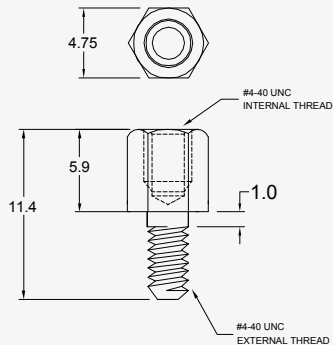
#4-40 Female Hex. Jackscrew Bulk

Material Finish

Body: Brass

Finish: Nickel

(500/Bag)



JSX-M3131

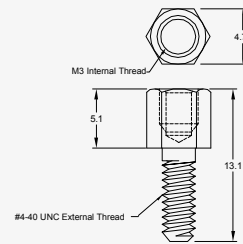
#4-40 External, M3 Metric Internal Thread Jackscrew Bulk

Material Finish

Body: Brass

Finish: Nickel

(500/Bag)



JSX-M3131M

M3 External, M3 Metric Internal Thread Jackscrew Bulk

Material Finish

Body: Brass

Finish: Nickel

(500/Bag)

