

NOTES

- MATERIALS:
HOUSING -94V-0, GLASS-FILLED POLYESTER
TERMINAL-BERYLLIUM COPPER, POST-PLATED:
TIN OVERALL - .000200/(0.00508) MINIMUM TIN IN CONTACT AREA,
.000075/(0.00191) MINIMUM TIN IN TAIL AREA, OVER
.000050/(0.00127) MINIMUM NICKEL UNDERPLATE OVERALL.
30 GOLD - .000030/(0.00076) MINIMUM GOLD IN CONTACT AREA,
.000075/(0.00191) MINIMUM TIN IN TAIL AREA OVER
.000050/(0.00127) MINIMUM NICKEL UNDERPLATING OVERALL.
- ASSEMBLIES TO BE SHIPPED IN TRAYS.
- DIMENSIONS GIVEN ACROSS CENTERLINES ARE SYMMETRICAL ABOUT THOSE CENTERLINES TO WITHIN HALF THE TOTAL TOLERANCE, EXCEPT 1.590 DIMENSION.
- THIS PART MATES WITH 78802-**** CARRIER.
- MINIMUM TERMINAL RETENTION: 1.0 LB./CIRCUIT.
- FOR POLARIZATION OPTIONS, SEE SHEET 2.
- PS-78804 APPLIES.

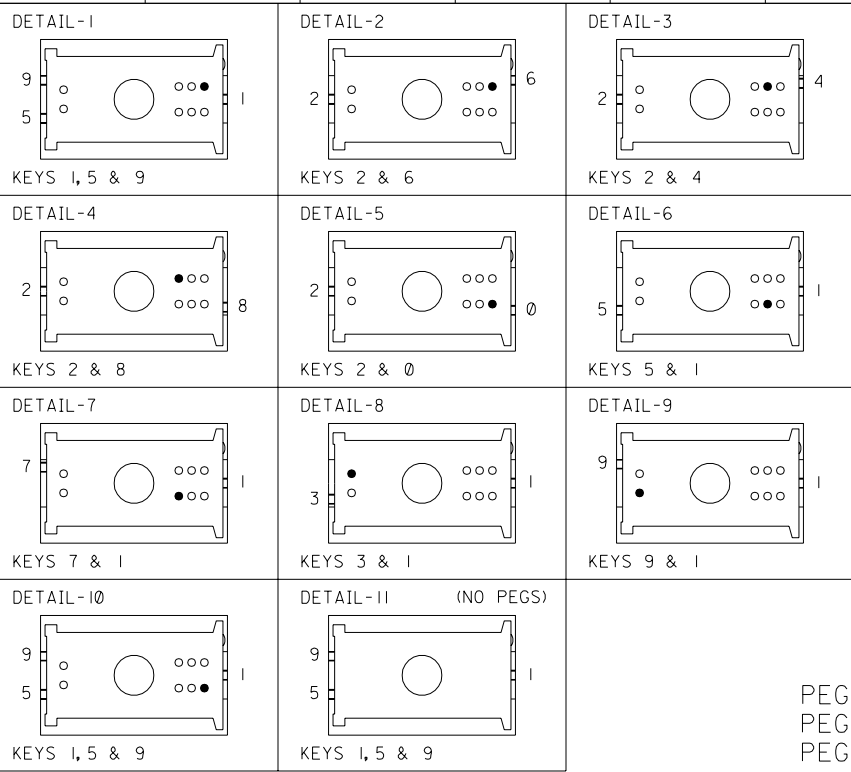
NOTE FOR LEAD FREE CONVERSION:

THE PRIMARY SHIPPING CARTON WILL BE LABELED "COMPLIANT TO RoHS DIRECTIVE 2002/95/EC AND ELV ANNEX II OF DIRECTIVE 2000/53/EC". CARTONS WITHOUT THIS LABEL MAY CONTAIN PRODUCT WITH LEAD.

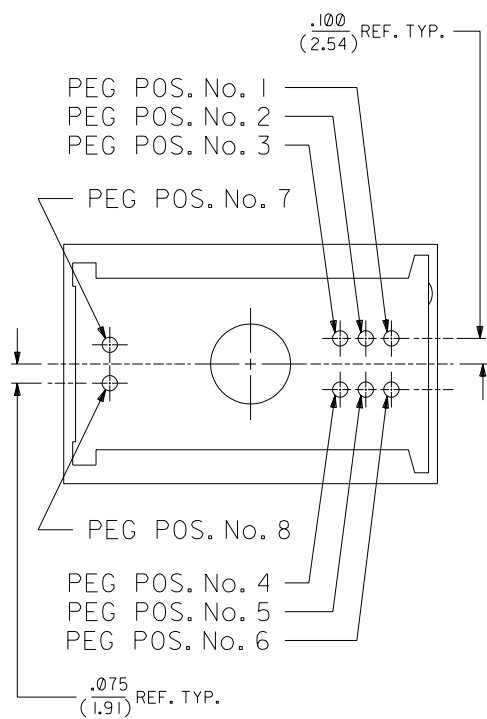
E	LEAD FREE CONV ECN UCPC2004-2092 RKADAMS 04/04/22
D	.115 WAS .110 ECN UDT1995-1005 SCHAFER 99/06/18
C	REVISED PER ECN US1478 MJS 5-24-96
B	RELEASED ON CAD PER ECR #US0175 09/23/88 PB/SEC

2	E				
1	E	B			

DIMENSIONS SHOWN (METRIC) INCH UNLESS OTHERWISE SPECIFIED TOLERANCES: ANGULAR ± 1/2°		▽ = 0	▼ = 0	REVISE ONLY ON CAD SYSTEM													
<table border="1"> <tr> <th>3 PLACE</th> <th>INCH</th> <th>METRIC</th> </tr> <tr> <td>± .005</td> <td>---</td> <td>---</td> </tr> <tr> <td>± .01</td> <td>± 0.13</td> <td>---</td> </tr> <tr> <td>---</td> <td>± 0.25</td> <td>---</td> </tr> </table>		3 PLACE	INCH	METRIC	± .005	---	---	± .01	± 0.13	---	---	± 0.25	---	TITLE SALES ASSEMBLY 28 CKT. MEMORY MODULE SOCKET 100 x .600 GRID			
3 PLACE	INCH	METRIC															
± .005	---	---															
± .01	± 0.13	---															
---	± 0.25	---															
DRAFT WHERE APPLICABLE MUST REMAIN WITHIN DIMENSIONS		MOLEX INCORPORATED LITSE, ILL. 60532		SHEET NO. 1 OF 2 DATE 9/27/88													
PART NO. SDA-78805-****		DRWG. NO. SEE SHEET 2		DATE 9/27/88													
DRWG. BY: PB	CHK'D. BY: SEC	FILE NAME: SD788051.DGN	THIS DRAWING CONTAINS INFORMATION THAT IS PROPRIETARY TO MOLEX INC. AND SHOULD NOT BE USED WITHOUT WRITTEN PERMISSION														
APP'D. BY: ASW	SCALE: 2:1	SIZE: DA	C														



DETAIL		ENG. NO.	PART NO. (EDP)	PLATING SEE NOTE 1	DETAIL	ENG. NO.	PART NO. (EDP)	PLATING SEE NOTE 1
COLOR		A78805-			COLOR	A78805-		
RED	1	0436	15-29-2281	TIN OVERALL				
YELLOW	3	0420	15-41-3283					
GRAY	4	0421	15-41-3284					
DK. GREEN	5	0422	15-41-3285					
NATURAL	6	0423	15-41-3286					
LT. BLUE	7	0424	15-41-3287					
ORANGE	8	0425	15-41-3288					
DK. BLUE	9	0426	15-41-3289					
BLACK	10	0418	15-41-3281					
BLACK	11	0518	15-29-9282					
BLACK	11	0918	15-41-2283	30 GOLD				



E	SEE SHEET 1
B	SEE SHEET 1

DIMENSIONS SHOWN (METRIC) INCH		UNLESS OTHERWISE SPECIFIED TOLERANCES: ANGULAR $\pm 1/2^\circ$		REVISIONS	
5 PLACE $\pm .005$		2 PLACE $\pm .01$		1 PLACE --- ± 0.25	
DRAFT WHERE APPLICABLE MUST REMAIN WITHIN DIMENSIONS		DRWG. NO. SDA-78805-****		DATE 9/27/88	
DRWG. BY SEC		CHK'D. BY		APP'D. BY	
SCALE 2:1		FILE NAME S0788052		DIV. DA	
SEE CHART		THIS DRAWING CONTAINS INFORMATION THAT IS PROPRIETARY TO MOLEX INC. AND SHOULD NOT BE USED WITHOUT WRITTEN PERMISSION.		SIZE DA	

78805