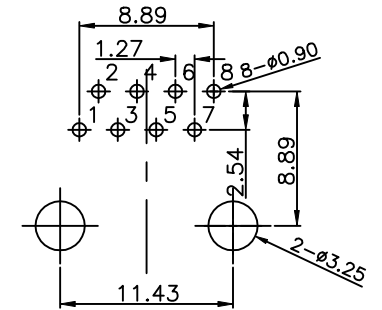
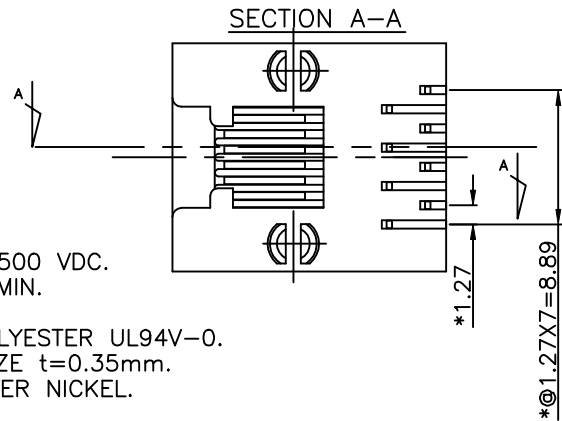
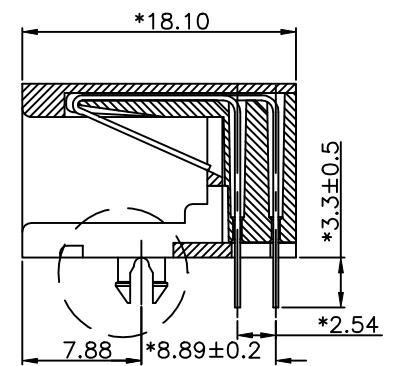
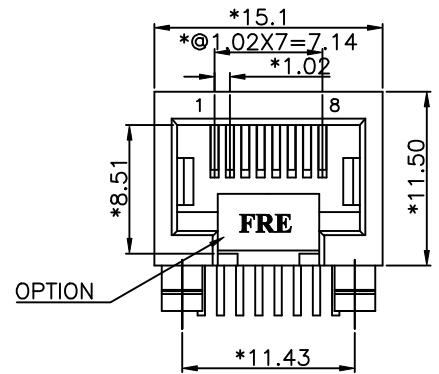


A1RFRD10

REVISION RECORD				
REV	ECO	DESCRIPTION	DRFT	CHKD



PCB T=1.60mm
PC BOARD LAYOUT COMPONENT SIDE SHOWN

NOTES:

ELECTRICAL:

- VOLTAGE RATING : 125 VAC RMS.
- CURRENT RATING : 1.5 AMP.
- CONTACT RESISTANCE : 35 MILLIOHMS MAX.
- INSULATION RESISTANCE: 1000 MEGOHMS MIN @ 500 VDC.
- DIELECTRIC STRENGTH : 1000 VAC RMS 60Hz, 1MIN.

MECHANICAL:

- HOUSING MATERIAL : GLASS FILLED POLYESTER UL94V-0.
- CONTACT MATERIAL : PHOSPHOR BRONZE t=0.35mm.
- PLATING : GOLD PLATING OVER NICKEL.
- OPERATING LIFE : 750 CYCLES MIN.
- PCB RETENTION PRE-SOLDER : 1 LB MIN.
- PCB RETENTION POST-SOLDER: 10 LBS MIN.

ENVIRONMENTAL:

- STORAGE : -40°C TO +85°C.
- OPERATION: -40°C TO +85°C.
- WAVE SOLDER TEMPERATURE: 230-250°C (3-5 SECOND).

MATES WITH MODULAR PLUG CONFORMING TO
FCC PART 68, SUBPART F.

CUL FILE NO. E163191

PART NUMBER: E538X-E0XXXX-L

NO OF CONTACT:

- | | | |
|-------|--------|-----------|
| 2- 2C | 1- 3u" | 2- 6u" |
| 4- 4C | 3-15u" | 4-30u" |
| 6- 6C | 5-50u" | 6-Pd 20u" |
| 8- 8C | | |

- | | |
|-------------------|--------------|
| 0E-PBT 30% YELLOW | 1-W/FRE LOGO |
| 02-PBT 30% BLACK | R-W/O LOGO |
| 0J-PBT 30% NATURE | |
| V2-PBT 15% GREY | |

DETACHED LISTS	MM (INCH)	DFTO ANKUE	DATE 08/16/05	FULL RISE ELECTRONIC CO., LTD
	TOLERANCES EXCEPT AS NOTED	CHKD LIUXIN	DATE 2005/08/17	
	MM	MFO	DATE	
	.0 ±0.20 ±	APPV LUSHENG	DATE 2005/08/17	
.00 ±0.15 ±	MATERIAL :	QTY :	TITLE 11.5 SIDE ENTRY 8P FCC DEEP TYPE	
.000 ±0.075 ±	ANGLES ±	FINISH :	DRAWING NO. GE533A01-LC	
	THIRD ANGLE PROJECTION	SCALE :	/PART NO. SEE NOTE	
			DO NOT SCALE DRAWING	
			SHEET X OF Y	

H
G
F
E
D
C
B
A

8 | 7 | 6 | 5 | 4 | 3 | 2 | 1