

PLEASE CHECK WWW.MOLEX.COM FOR LATEST PART INFORMATION

Part Number: [47300-1001](#)
Status: **Active**
Overview: Slimline Serial ATA ODD Connectors
Description: 1.00mm, 1.27mm Pitch Slimline Serial ATA Plug for Optical Disk Drive with Standard Type Screw, Right Angle, Gold (Au) Flash Plating, Phosphor Bronze Matt Tin Plated Screw Nail, with Pegs, Lead-Free

Documents:

[3D Model](#) [Product Specification PS-47300-001 \(PDF\)](#)
[Drawing \(PDF\)](#) [RoHS Certificate of Compliance \(PDF\)](#)

Agency Certification

CSA LR19980

General

Product Family PCB Headers
 Series [47300](#)
 Application Board-to-Board, Signal
 Comments Screw Type
 Overview [Slimline Serial ATA ODD Connectors](#)
 Product Name Serial ATA, Slimline Serial ATA
 UPC 800756735887

Physical

Breakaway No
 Circuits (Loaded) 13
 Circuits (maximum) 13
 Durability (mating cycles max) 500
 First Mate / Last Break Yes
 Flammability 94V-0
 Glow-Wire Compliant No
 Guide to Mating Part Yes
 Keying to Mating Part Yes
 Lock to Mating Part No
 Material - Plating Mating Gold
 Material - Plating Termination Tin
 Material - Resin High Temperature Thermoplastic
 Net Weight 1.144/g
 Number of Rows 1
 Orientation Right Angle
 PCB Locator Yes
 PCB Retention Yes
 Packaging Type Embossed Tape on Reel
 Pitch - Mating Interface 1.00mm, 1.27mm
 Pitch - Termination Interface 1.00mm, 1.27mm
 Plating min - Mating 0.051µm
 Plating min - Termination 1.016µm
 Polarized to Mating Part Yes
 Polarized to PCB Yes
 Stackable No
 Temperature Range - Operating -35°C to +85°C
 Termination Interface: Style Surface Mount

Electrical

Current - Maximum per Contact 1.5A
 Voltage - Maximum 15V DC

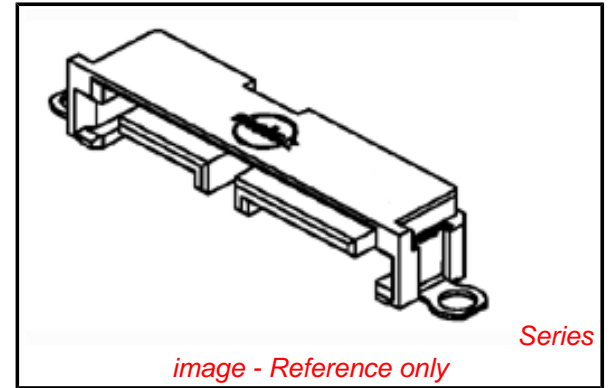


image - Reference only

EU RoHS

ELV and RoHS Compliant
REACH SVHC Contains SVHC: No
Low-Halogen Status Low-Halogen

China RoHS



Need more information on product environmental compliance?

Email productcompliance@molex.com
 For a multiple part number RoHS Certificate of Compliance, [click here](#)

Please visit the [Contact Us](#) section for any non-product compliance questions.

Search Parts in this Series

[47300Series](#)

Mates With

[47628](#) , [47639](#) , [47645](#) , [47650](#) , [78380](#) , [48321](#) , [48325](#) , [48330](#) , [48336](#) , [47657](#)
 Slimline Serial ATA Receptacles

Material Info

Reference - Drawing Numbers

Electrical Model Document
Product Specification
Sales Drawing

EE-48325-001
PS-47300-001
SD-47300-100

This document was generated on 10/25/2012

PLEASE CHECK WWW.MOLEX.COM FOR LATEST PART INFORMATION