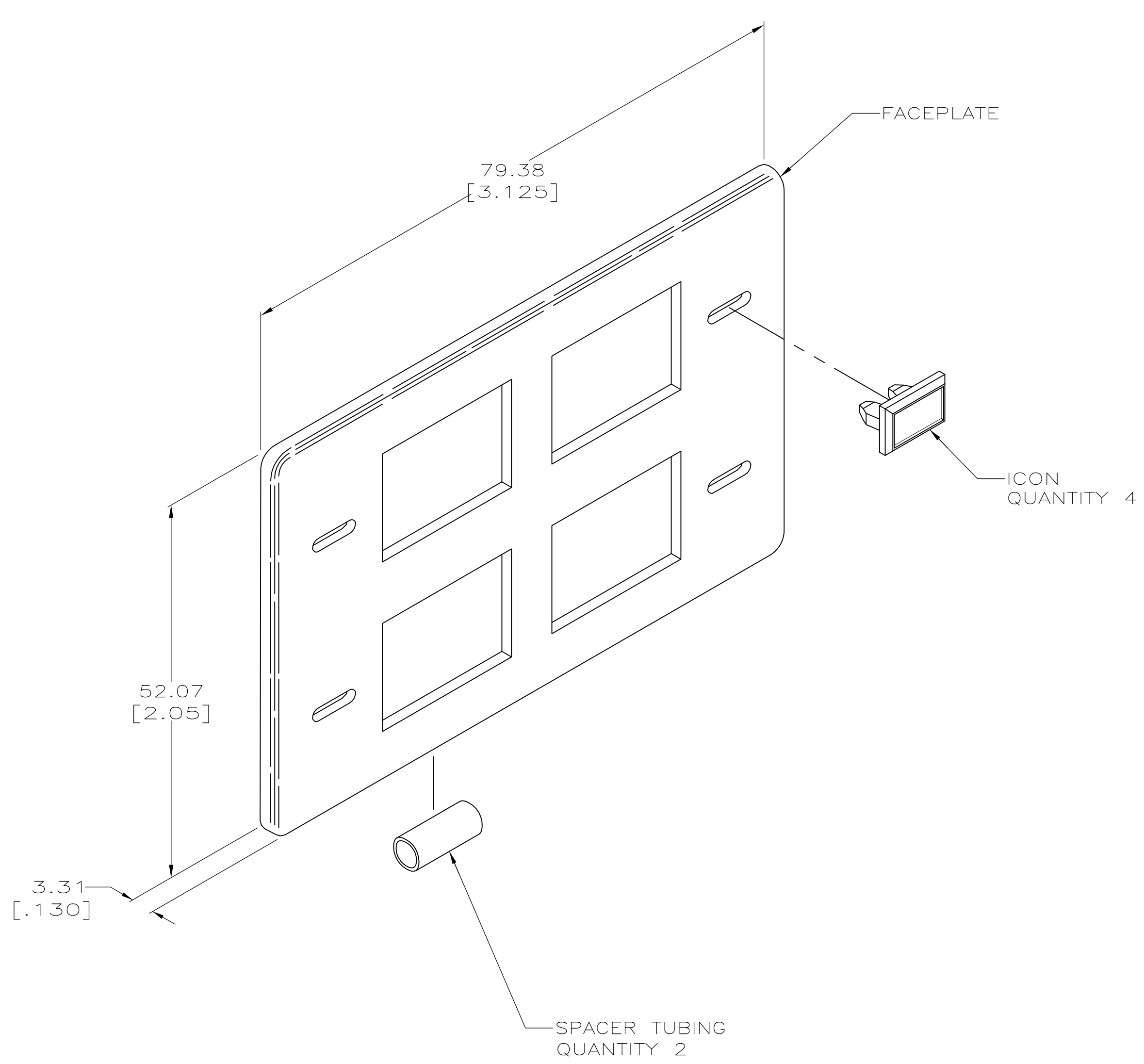


THIS DRAWING IS UNPUBLISHED. RELEASED FOR PUBLICATION
 © COPYRIGHT - By - ALL RIGHTS RESERVED.

LOC	DIST	REVISIONS					
HM	00	P	LTR	DESCRIPTION	DATE	DWN	APVD
		C		REV ECO-11-000935	14JAN2011	LH	RA
		D		REV ECO-11-007419	11APR2010	LH	RA



1 MATERIAL: FACEPLATE - POLYCARBONATE MOLDING COMPOUND, 94V-0 RATED. SEE TABLE FOR COLORS.
 ICON - ABS MOLDING COMPOUND, 94V-0, RATED. SEE TABLE FOR COLORS.
 SPACER TUBE - POLYOLEFIN, BLACK.

2. THIS KIT SHIPPED NOT ASSEMBLED.

3 DIMENSIONS ARE MAXIMUM UNLESS OTHERWISE SPECIFIED.

4. THIS FACEPLATE KIT IS TO BE USED IN THE HERMAN MILLER FURNITURE STYLES WITH ADDITIONAL MOUNTING HARDWARE AS LISTED BELOW:

ACTION OFFICE 1-USE 1 AMP ACCESSORY CLIP 608441-1.

ACTION OFFICE 2 (ENCORE)-USE 1 AMP BACKUP PLATE 608440-1.

ETHOSPACE-FOR ETHOSPACE MANUFACTURED PRIOR TO 1991, USE 1 AMP ACCESSORY CLIP 608441-1.

FOR ETHOSPACE MANUFACTURED IN 1991 OR LATER, USE 1 AMP BACKUP PLATE 608440-1.

FOR ETHOSPACE BELTLINE APPLICATIONS, NO ADDITIONAL MOUNTING HARDWARE IS REQUIRED.

NEMA GRAY	558191-4
LIGHT ALMOND	558191-2
BLACK	558191-1
COLOR	PART NO.

THIS DRAWING IS A CONTROLLED DOCUMENT.		DWN 9-24-93 D. STRAUSSER	STE TE Connectivity	
DIMENSIONS: MM [INCHES]		CHK 10-5-93 C. WHITT		
TOLERANCES UNLESS OTHERWISE SPECIFIED:		APVD -	NAME	
0 PLC ± -	3	PRODUCT SPEC -	FACEPLATE KIT, 4 PORT, 110 JACKS, HERMAN MILLER	
1 PLC ± -		APPLICATION SPEC		
2 PLC ± -		408-9956		
3 PLC ± -		WEIGHT -		
4 PLC ± -		SIZE A2	CAGE CODE 00779	DRAWING NO. C=558191
ANGLES ± -	FINISH -	CUSTOMER DRAWING		SCALE 2:1
MATERIAL -		SHEET 1 of 1		REV D

558191