

Materials and Finish

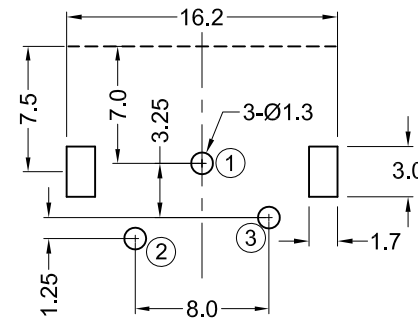
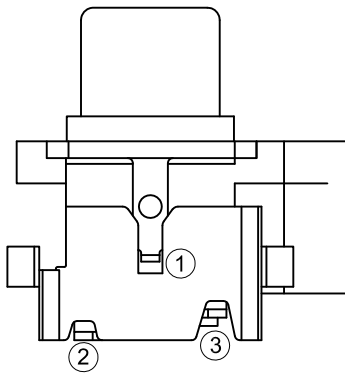
Housing: PBT UL 94V-0
 Color: Black
 Barrel: Brass
 Plating: Nickel Plated
 Terminals: Brass
 Plating: Tin Plated
 Ground pin: Nickel Plated

Electrical Characteristics

Rated Current: 0.3A Max.
 Rated Voltage: 16V DC
 Contact Resistance: 50 millohms Max.
 Insulation Resistance: 100 Megohms min. at 500V DC
 Withstanding Voltage: 500V AC RMS for 1 minute

Mechanical Characteristics

Insertion Force: 0.3kg - 5.0kg
 Extraction Force: 0.3kg - 5.0kg
 Durability: 1000 mating cycles min.
 Operating Temp: -20°C to +60°C



Recommended PCB Layout (Bottom View)

Part Number	Top Jack Color	Bottom Jack Color
KLP42X-60-W/R	white	red
KLP42X-60-R/W	red	white
KLP42X-60-Y/Y	yellow	yellow
KLP42X-60-B/B	black	black
KLP42X-60-R/R	red	red
KLP42X-60-W/W	white	white
KLP42X-60-W/B	white	black

RoHS COMPLIANT
 EU Directive 2002/95/EC



Tolerances
X.X ± 0.35
X.XX ± 0.25
Unless Stated Otherwise

REV.	DATE	DESCRIPTION	REV. BY	CHK. BY	DRAWN BY	DATE
A3	4/26/06	ECO#06-030	H. MA	C. Furumasu	N.Chang	6/27/05
A4	03/12/08	ECO #08-020	R. Aguirre	H. Ma		
A5	05/27/10	Add Color Option	S. Vien	H. MA		
A6	4/12/11	Add Spec	S. Vien	H. MA		UNITS
A7	03/05/12	ECO #12-003	S. Vien	H. MA		
A8	01/16/13	ECO #12-063	S. Vien	P. DalCanto		

KLP42X-60-x/x

Stacked RCA Jack , Right Angle

PCB Mount, RoHS Compliant

