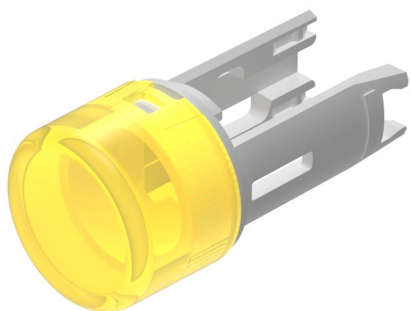


# EAO – Your Expert Partner for Human Machine Interfaces

## 18-932.4 - Lens without LED raised design

### 18-932.4 - Lens without LED raised design



*Attention: The preview is based on a sample product. This can differ from your current configuration.*

#### Mounting

Design raised

#### Other Attributes

Weight 0,001 kg  
Dimension Ø 7.5 mm

#### Operating-/Indication part

Lens optics translucent  
Lens material Plastic  
Lens colour yellow  
Lens profile flat  
Lens illumination illuminative