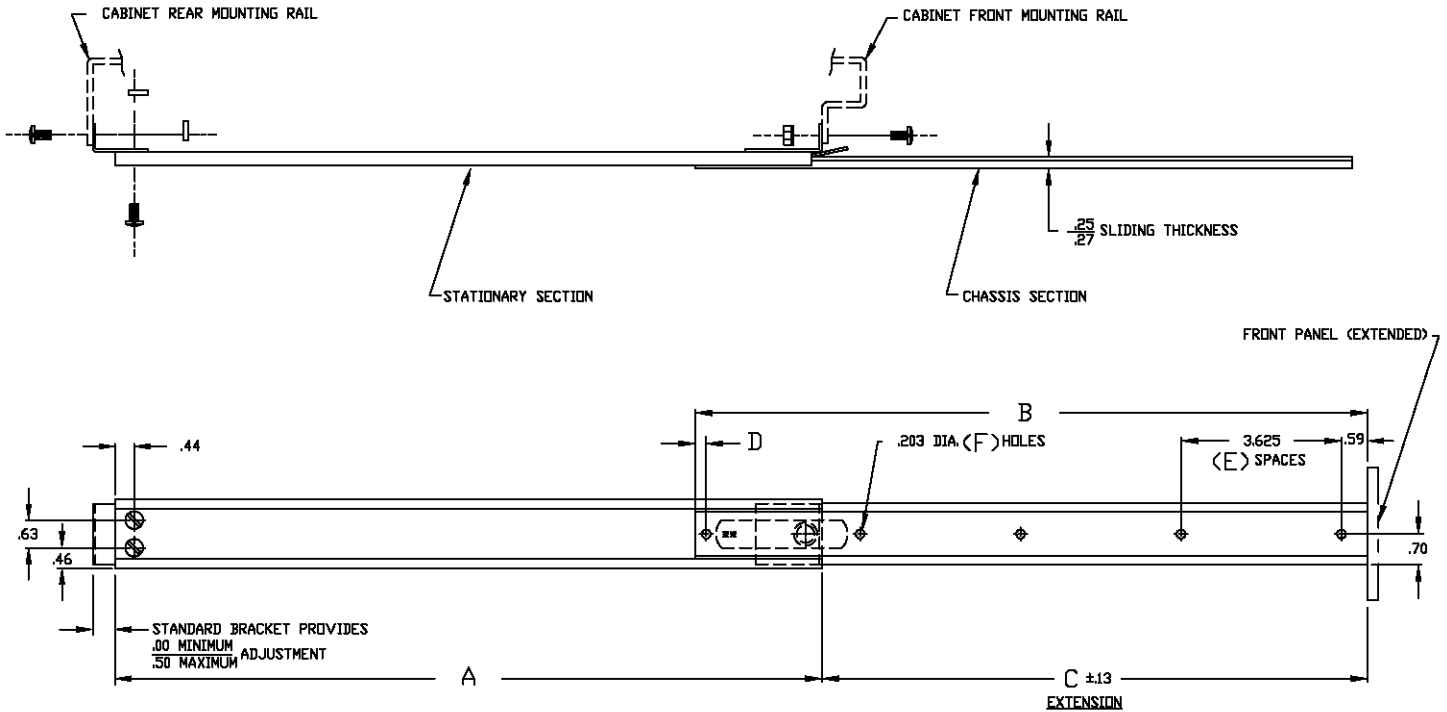
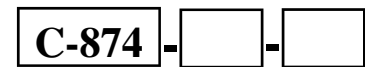


C-874 Two Section Slide



Catalog Number	A	B	C	D	E	F	Load Capacity
C-874-10	10.00	9.25	7.00	NONE	1	2	95 LBS.
C-874-12	12.00	11.25	9.00	NONE	2	3	95 LBS.
C-874-14	14.00	13.25	10.50	NONE	2	3	90 LBS.
C-874-16	16.00	15.25	12.00	0.25	2	4	90 LBS.
C-874-18	18.00	17.25	13.50	0.25	3	5	90 LBS.
C-874-20	20.00	19.25	15.00	0.25	3	5	85 LBS.
C-874-22	22.00	21.25	16.50	0.25	4	6	85 LBS.
C-874-24	24.00	23.25	18.00	0.25	4	6	85 LBS.
C-874-26	26.00	25.25	19.50	0.25	4	6	80 LBS.
C-874-28	28.00	27.25	21.00	0.25	5	7	80 LBS.
C-874-30	30.00	29.25	22.50	0.25	5	7	80 LBS.

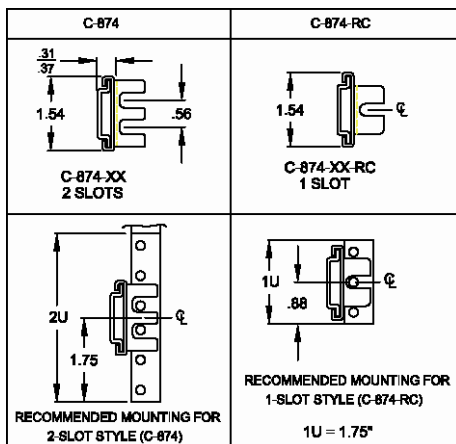
TO ORDER, SPECIFY



Length
 AR - Automatic Release if desired
 AND/OR
 RC - See chart below

Notes

1. Finish: All standard slides are coated with Poxylube™ dry film lubricant.
2. All standard slides are designed to lock-out in the extended position and are available with an optional automatic release if lock-out is not desirable.
3. Standard hardware packages include all the hardware necessary to mount your Chassis Trak® slides:
 - Rear mounting bracket (B-217 or B-161) included
 - Bar Nuts (CA8056-06-0017 or CA8056-06-0014)
 - #10-32 screws and keps nuts
4. All sliding members of the standard slide are made from cold rolled steel.
5. All Chassis Trak® solid bearing slides are supplied with a quick disconnect feature.
6. Optional mounting patterns, slide lengths and extensions are available.
7. For optional mounting brackets see page 34.



Optional Mounting Brackets



Matrix For Solid Bearing Slides & Appropriate Rear Mounting Brackets with Range of Extension

	B-217*	B-217-1.5	B-217-2	B-217-2.5	B-217-3	B-217-3.5	B-217-4	B-308	B-793
C-300-D	0 to .50	.25 to .75	.75 to 1.25	1.25 to 1.75	1.75 to 2.25	2.25 to 2.75	2.75 to 3.25	0 to 6.00	0 to 6.00
C-300-S	0 to .50	.25 to .75	.75 to 1.25	1.25 to 1.75	1.75 to 2.25	2.25 to 2.75	2.75 to 3.25	0 to 6.00	0 to 6.00
C-874	0 to .50	.25 to .75	.75 to 1.25	1.25 to 1.75	1.75 to 2.25	2.25 to 2.75	2.75 to 3.25		
C-3700	0 to .50	.25 to .75	.75 to 1.25	1.25 to 1.75	1.75 to 2.25	2.25 to 2.75	2.75 to 3.25		

	B-161*	B-161-1.5	B-161-2	B-161-2.5	B-161-3	B-161-3.5	B-161-4	B-309	B-389
C-300-D-RC	0 to .50	.25 to .75	.75 to 1.25	1.25 to 1.75	1.75 to 2.25	2.25 to 2.75	2.75 to 3.25	0 to 6.00	
C-300-S-RC	0 to .50	.25 to .75	.75 to 1.25	1.25 to 1.75	1.75 to 2.25	2.25 to 2.75	2.75 to 3.25	0 to 6.00	
C-300-S-RC-3S									0 to 6.00
C-874-RC	0 to .50	.25 to .75	.75 to 1.25	1.25 to 1.75	1.75 to 2.25	2.25 to 2.75	2.75 to 3.25	0 to 6.00	
C-3700-RC	0 to .50	.25 to .75	.75 to 1.25	1.25 to 1.75	1.75 to 2.25	2.25 to 2.75	2.75 to 3.25	0 to 6.00	

Note brackets are made from 16 gauge C.R.S. — Standard finish: clear zinc commercial plating

*Supplied with standard slides

CATALOG NUMBER	A	Diagram	
B-217 or B-161	1.25		
B-217-1.5 or B-161-1.5	1.50		
B-217-2 or B-161-2	2.00		
B-217-2.5 or B-161-2.5	2.50		
B-217-3 or B-161-3	3.00		
B-217-3.5 or B-161-3.5	3.50		
B-217-4 or B-161-4	4.00		

	<p>B-308 B-793</p>

<p>B-389</p>	<p>B-309</p>